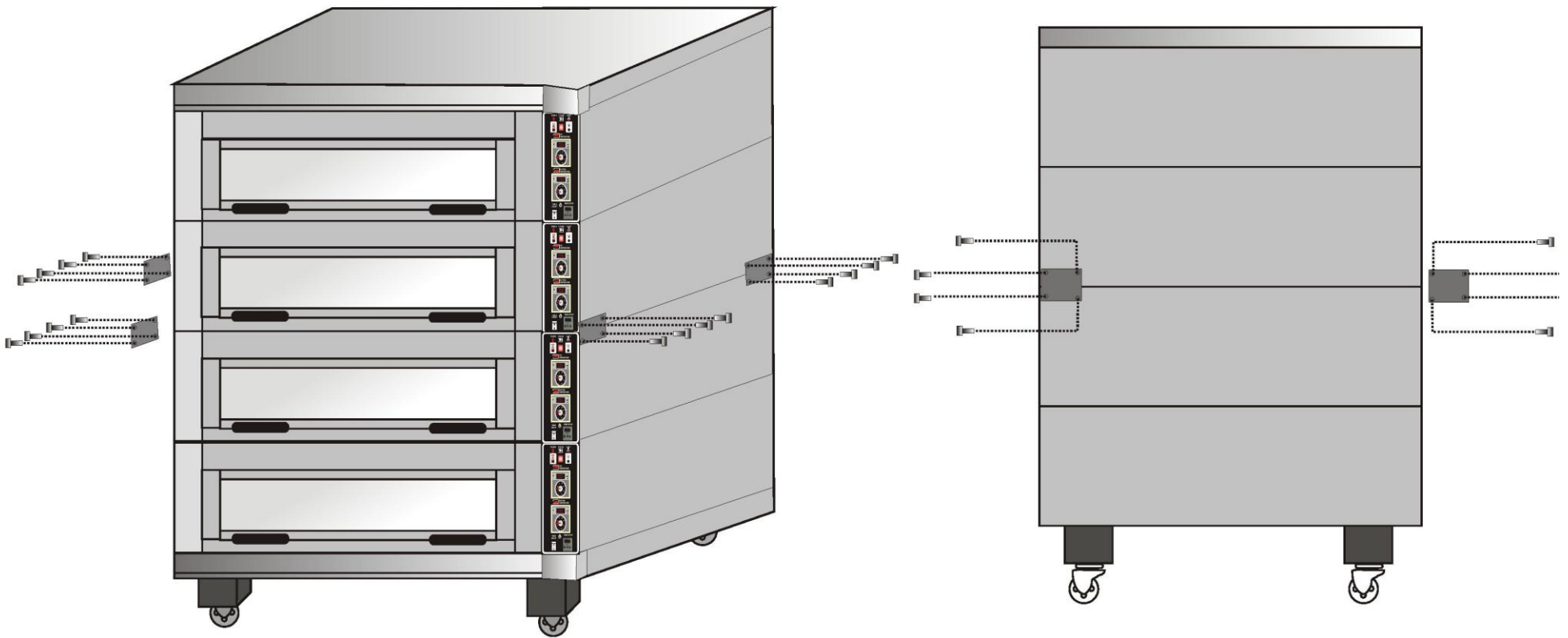




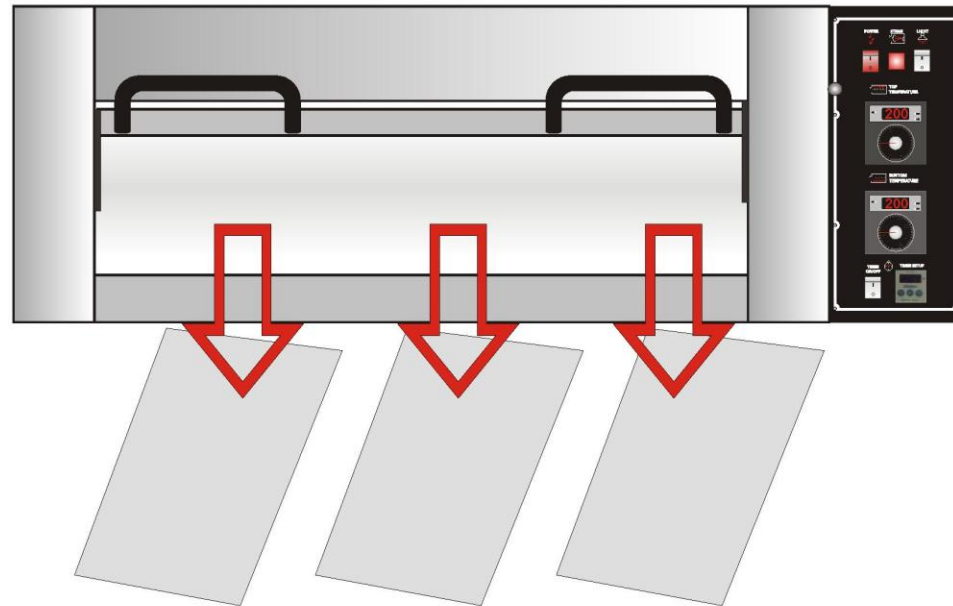
Disassemble and Reassemble Deck Oven Working Instructions

A. Take off side fasten plates by taking off the plate screws.



B. Optional

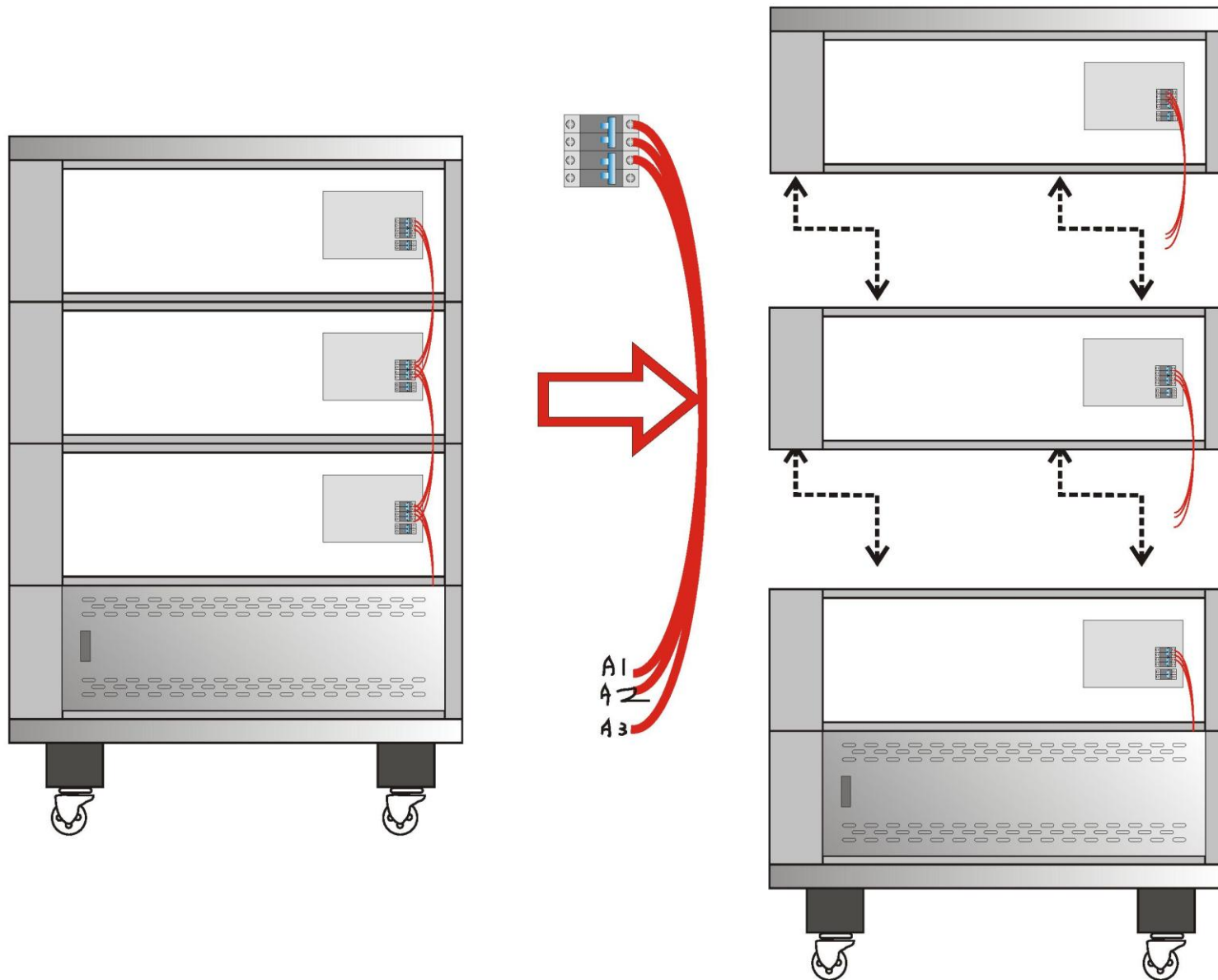
The stones can be taken out to lower deck weight.



Take out the bottom stones

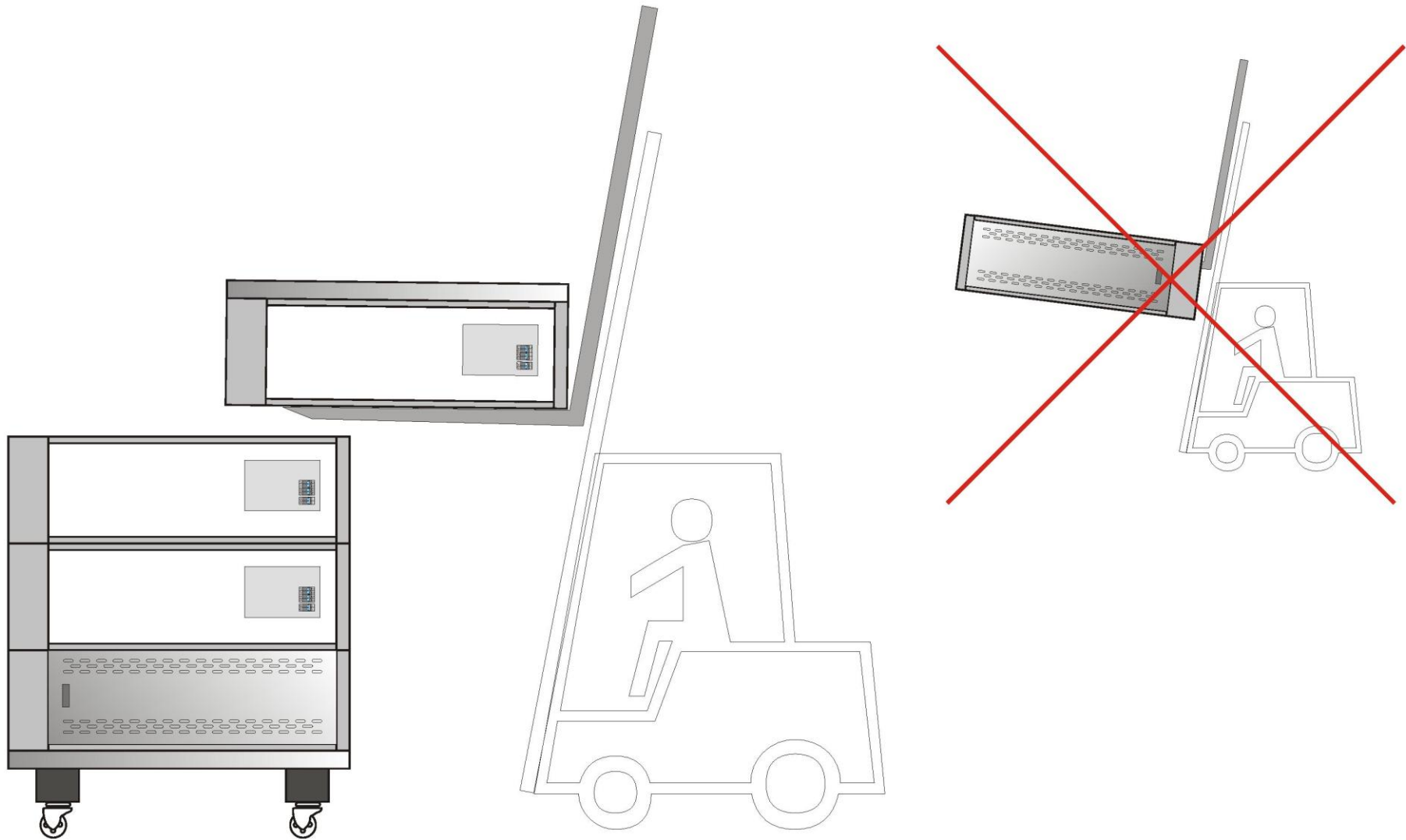
C. Disconnect the wiring between each deck.

Mark each deck connection wires for reconnecting



D. Unload each deck with a forklift or leverage tools by lifting deck bottom.

Do not lift baking chamber!



- E.1. Stack each deck back per the original configurations.
2. Reconnect wires and cables to original wiring.

Do not change the deck positions and wiring ways!!

