



America

www.BakeMax.com

Project: _____

Item: _____

Qty: _____ Date: _____

BakeMax America BAFA Series Gas Hot Plate



Model BAFA4M-24



The BakeMax America BAFA Series Gas Hot Plate is designed to provide the ultimate in performance and durability. As with all of our heavy duty countertop equipment, they are built to the highest commercial standards to ensure years of trouble free service, featuring superior frame construction and stainless steel exterior for easy maintenance. Combine all of this and our affordable prices and you have the best value for your budget.

Features:

- Available is 12", 24" and 36"
- Stainless steel body for durability and easy to clean
- Compact design for countertop use.
- 12" x 12" removable heavy duty cast iron top grates designed for easy movement of pots across top sections.
- 6" deep front stainless steel bullnose-rail is safely flush with the cook tops and functional to straddle pots, skillets and plates and also serves as control protection.
- 30,000 BTU heavy duty cast iron "star" pattern top burners with no gaskets to leak.
- The large 7" flame spread offers a more efficient burn pattern for small to large pots.
- Double burners made of cast iron for peak performance
- Easy light pilot at the side of each burner of the BAFA4M and BAFA6M
- Independent manual controls for each burner
- 4" highly polished chrome adjustable steel legs.
- Full width catch tray funneling into a removable pan for easy cleaning
- 3/4" rear gas connect and pressure regulator
- LP conversion kit included
- Two year limited parts and labor warranty



Cast Iron Grate



Model BAFA2M-12





Model BAFA6M-36

** Due to continuous product improvement, specifications are subject to change without notice.

BakeMax® / Titan Ventures International Inc.

Warehouses:

270 Baig Blvd, Suite A3, Moncton, NB E1E1C8 
1605 Crescent Cr Carrollton, TX, Dallas, TX 75006 

Toll Free: 1-800-565-BAKE (2253)

Phone: 506-858-8990

Fax: 506- 859-6929

Email: Sales@BakeMax.com

BakeMax America BAFA Series Gas Hot Plate

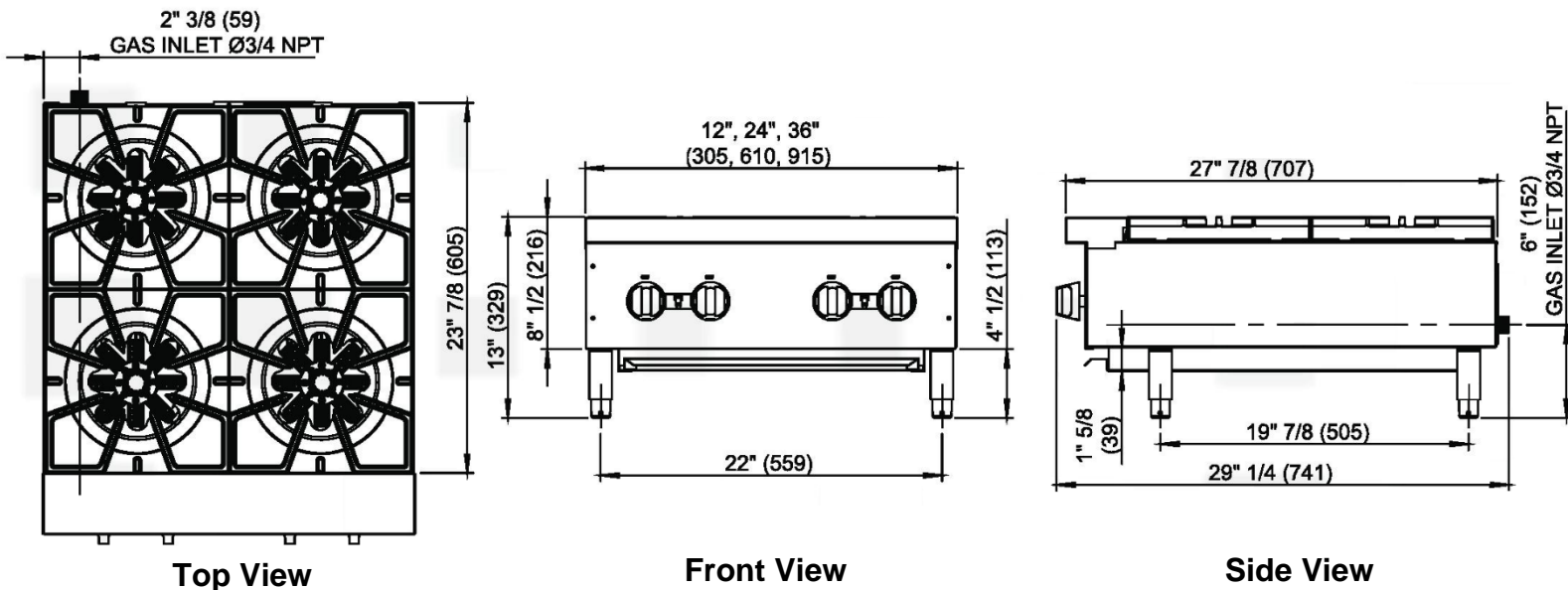
Technical Specifications & Drawings

Model	Width (B) (mm)	Depth (C) (mm)	Height (A) (mm)	Burners	BTU NG	BTU LP	Orifice #	
							Gas	LP
BAFA2M-12	12" (305mm)	30" (755mm)	10" (250mm)	2	60,000	60,000	33	51
BAFA4M-24	24" (613mm)	30" (755mm)	10" (250mm)	4	120,000	120,000	33	51
BAFA6M-36	36" (918mm)	30" (755mm)	10" (250mm)	6	180,000	180,000	33	51

***Warning:** The minimum supply pressure on this appliance must be set at 4 water column inches for natural gas and 10 water column for propane gas. Each unit has a 3/4" gas connect at the rear of the appliance.



Shipping Information

Model	Net Weight lbs/kg	Crated Weight lbs/kg	Crate Dimensions (D x W x H)
BAFA2M-12	73lbs/33kg	99lbs/45kg	31"X15"X16"
BAFA4M-24	95lbs/43kg	121lbs/55kg	31"X26"X16"
BAFA6M-36	115lbs/52kg	141lbs/64kg	31"X39"X16"



BakeMax[®] / Titan Ventures International Inc.

Warehouses:

270 Baig Blvd, Suite A3, Moncton, NB E1E1C8 
 1605 Crescent Cr Carrollton, TX, Dallas, TX 75006 

Toll Free: 1-800-565-BAKE (2253)

Phone: 506-858-8990

Fax: 506- 859-6929

Email: Sales@BakeMax.com