



www.BakeMax.com

Conveyor Baker BMCB001 Operations Manual



Questions? Contact Us:

Toll Free: 1-800-565-2253

Email: Info@BakeMax.com

www.BakeMax.com

Warranty Registration

www.BakeMax.com/Warranty-Registration



Warning & Safety

PLEASE READ AND FOLLOW INSTRUCTIONS BELOW TO PREVENT INJURY OR DAMAGE TO THE PRODUCT

BakeMax® (a registered trademark of Titan Ventures International Inc or TVI) is not responsible for any harm or injury caused due to any person's improper or negligent use of this equipment. The product shall only be operated by someone over the age of 18, of sound mind, and not under the influence of any drugs or alcohol, who has been trained in the correct operation of this machine, and is wearing authorized, proper safety clothing. This machine is intended for commercial use only. Any modification or miss use to the machine voids any warranty and may cause harm to individuals using the machine or in the area of the machine while in operation.

- When using the machine, please ensure that you have read all of the instructions within this manual.
- Be aware of your surroundings when using this machine, ensure there are no children or any other persons who are near the machine before operating.
- Do not put hand near moving parts.
- Remove all obstacles, which may interfere with machine functions.
- Keep work area clean and clear of clutter.
- Do not sit or stand on machine.
- Do not wear loose clothing or jewellery when operating machine as it may get caught in moving parts and cause injury.
- Stop using the machine and have it checked by an authorized service personal if it is not working properly.
- Disconnect from power source before performing and maintenance or cleaning on the machine.
- When the machine is not in use, please clean and store properly,
- Do not place any electrical parts or plug / cord in water or liquid.
- If the supply cord is damaged it must be replaced by an authorized service agent in order to avoid any electrical hazards.
- Keep power cord away from heat.
- Always ensure to follow local laws when operating your machine.

Cleaning

- This unit has been coated for shipping purposes, please clean before use.
- Do not use any liquid pressurised cleaning equipment on this machine.
- Disconnect power supply before cleaning.
- Only use food grade non-abrasive cleaning agents.
- Follow any additional cleaning / maintenance listed below.

Features

The BakeMax Conveyor Baker is great for baking all types of bread, pizza, bagels, cookies and more. Designed to provide consistent heat with top and bottom infrared heaters and variable speed controls. Ideal for restaurants, convenience stores, cafes, and grocery stores.

- Body constructed of stainless steel
- Fast start-up due to the powerful 3,600 watt heating source
- Quartz sheathed heaters (2 above, 2 below conveyor) regulated by separate controls.
- Adjustable heat 158°F – 500°F (70°C – 260°C)
- TouchSafe™: with its burn proof design prevents accidental burns during operation
- Variable speed stainless steel conveyor belt
- Bakes up to sixteen 12" or twelve 14" parbaked pizzas per hour
- Menu items can be cooked in the same oven to offer superior flexibility
- Opening clearance: 3.25"
- 1 Year Limited Warranty

Technical Specifications:

- Electrical: 220/240v / 15amps / 3.6kW / 60Hz / Nema 6-20P*
- Dimensions (No catch tray: WDH): 18.75" x 30" x 15.5"
- Dimensions (One catch tray: WDH): 18.75" x 40.5" x 15.5"
- Dimensions (Both catch tray's: WDH): 18.75" x 47" x 15.5"
- Net weight: 60 lb

Shipping Specifications:

- Packaging Dimensions (WDH): 38" x 28" x 20"
- Weight: 66 lb

* Cutting the cord or changing the plug, voids all warranty.

** Due to continuous product improvement, specifications are subject to change without notice.

Operating Instructions:

- Turn the power to FULL POWER and turn conveyor speed control to maximum setting.
- Allow preheat time 8-10 min. for unit to heat up.
- Place a sample product on the conveyor belt to test the settings.
- If toasting is too light, turn conveyor speed control counterclockwise to a slower speed.
- If toasting is too dark, turn conveyor control clockwise to a faster speed.



Control Panel

Temperature & Time Settings

Dial Setting	Temperature	Time (Minutes' Seconds")
1	158-194°F (70-90°C)	10' 5"
2	194-230°F (90-110°C)	8' 50"
3	266-284°F (130-140°C)	7' 45"
4	284-311°F (140-155°C)	6' 35"
5	311-356°F (155-180°C)	5' 45"
6	365-401°F (185-205°C)	5' 05"
7	401-428°F (205-220°C)	4' 20"
8	464-500°F (240-260°C)	3' 30"
9	482-500°F (250-260°C)	1' 45"
10	482-500°F (250-260°C)	1' 20"

Baking Settings

Product	Top Heat	Bottom Heat	Belt Speed
Pizza 12" Parbaked	300F	400F	6 Minutes
Meat & Cheese Sandwich	450F	300F	4 minutes
Meatball	500F	350F	2 Minutes
Bagel (open)	500F	400F	2 Minutes
1 oz Cookies	200F	250F	10 Minutes
Garlic Bread (Lightly Seasoned)	500F	500F	2 Minutes
Fish Sizzle Platter	400F	500F	6 Minutes

**Above settings are guidelines only; product portions and temperatures can cause variations in product results.

General Maintenance & Cleaning

1. Daily maintenance should be carried out with all power to the unit in the off position, and the electrical cord unplugged. Cleaning should be carried out by means of food grade cleaning solutions via a soft or damp cloth. Do not utilize any type of pressurized water equipment.
2. Do not use any acidic agents and make sure that no water enters the device.
3. Clean the water pan regularly. Calcification in the water pan may be removed with common cleaning agents or liquids. (Ensure pan is removed from unit before cleaning)
4. After the cleaning procedure, you should use a soft and dry cloth to dry and polish the surface.
5. Make sure the device has been cleaned properly before storing it in a dry place.
6. Regular inspection on the outside and internal cabinet along with the power cord should be observed and carried out on a regular basis to isolate and or observe any unforeseen failure or safety concern.

Daily Cleaning of Conveyor Baker:

1. Turn main power switch to the OFF position, Disconnect unit from power source and allow unit to cool.
2. Using a mild detergent and warm water, wipe exterior surfaces, clean with a damp cloth.
 - For lightly soiled build-up, clean with a damp cloth.
 - For heavily soiled build-up, use a soft damp cloth and mild detergent. **DO NOT USE CORROSIVE CLEANERS.**
 - Rinse thoroughly and allow to dry.
3. Remove the load and unload tray by lifting it out of position. Clean using mild detergent and warm water. Rinse thoroughly and allow to dry.
4. Remove each crumb tray by sliding each of them out from under the conveyor belt. Clean crumb tray by wiping with a damp cloth and mild detergent, then rinse thoroughly and dry. **DO NOT** use corrosive cleaners. Place trays in place prior to putting unit back into operating.
5. Reconnect power.

Warning: When placing the tray back into position; be sure that the message “**CAUTION HOT SURFACE**” is the right side up.

Weekly Cleaning of the Conveyor Belt:

1. Turn power switch to the OFF position. Disconnection unit from power source and allow the unit to fully cool down before continuing.
2. Perform daily cleaning procedures.
3. Use a damp cloth to wipe the fan guard located on the box cover under the unit. Ensure the unit is fully dry before you reconnect power or turn power back on.
4. Switch the ON/OFF switch to the ON position, and turn conveyor to its fastest setting (Make sure the heater is off).
5. With the conveyor turned on and the crumb tray in place, take a wire grill brush or dry abrasive pad, clean the exposed surface of conveyor belt by passing the brush or pad, back and forth across the surface of the conveyor belt as the belt moves past (See Figure A below). Continue until the entire belt is clean. Make sure the crumb tray is installed; this will minimize the amount of particles that fall into the oven.
6. When the conveyor belt is clean, take a damp cloth and wipe the conveyor, removing any loose particles on the belt surface.
7. Remove the crumb tray by sliding it out from beneath the conveyor belt. Clean the crumb tray by wiping with a damp cloth and mild detergent. • **Do not use corrosive cleaners.** • **Do not run conveyor oven without crumb trays installed.** • **Overheating to electrical components and premature failure can occur.** • **Do not immerse or let the unit stand in water.** • **Do not hose down the unit or the table/counter if the unit is on the table/counter.** • **Keep away from running water.**

Figure "A"

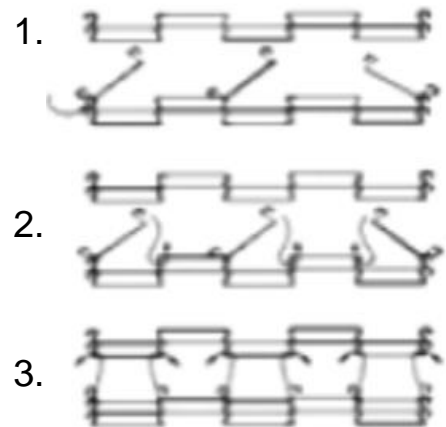
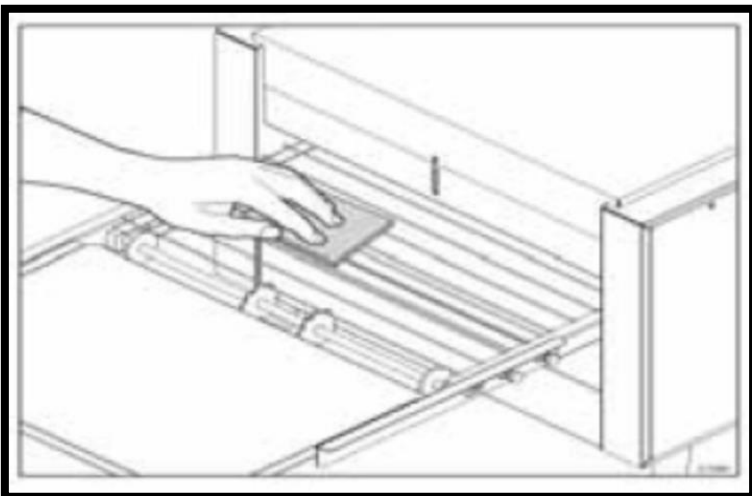


Figure "B" Master Links Removal & Installation

Monthly Cleaning & Removal of Belt:

1. Turn main power switch to the OFF position. Disconnect unit from its power source and allow unit to fully cool.
2. Perform daily and weekly cleaning procedures. Follow the step 1 in Figure "B", to remove all of the master links. To remove, unhook each end of one link and bring the two ends together, and un-thread. Once detached, re-hook onto itself so not to get damaged.
3. Now that the links have been unhooked, the conveyor can now be carefully removed from the oven. Standing at one end of the oven, starting with the end on the bottom, roll the conveyor belt until it has been totally removed. Take careful notice being sure not to damage the heater tubes, and working it over the drive sprockets, (see Figure "C" Below).
4. Clean conveyor belt in deep sink, caustic cleaners may be used. For a heavy soiled conveyor belt, soak overnight in hot soapy water.

Warning: Do not attempt to clean the heater tubes.

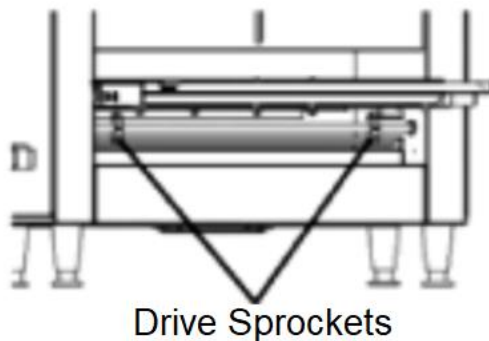


Figure "C" Conveyor Drive Sprockets

5. Take this opportunity to clean and remove any loose materials inside the unit. Using a mild cleaner and damp cloth, carefully wipe the inside surfaces being sure NOT to clean the heater tubes. **WARNING: DAMAGE CAN OCCUR TO THE HEATER TUBES FROM IMPROPER CLEANING. DO NOT SPRAY CLEANING SOLUTIONS INTO OVEN CAVITY.**
6. Reinstall conveyor belt by first laying the belt along the bottom of the oven cavity making sure the hooks on the sides are facing the inside and ends of the hooks will be pointing away from the direction of the belt so not to catch on any internal components once put back into operating. Also, being sure to properly align the belt over the conveyor drive sprockets shown in Figure "C" Above. PLEASE NOTE: The direction of the belt.

7. Next, pull one end of the conveyor belt over the top of the sprockets, (being sure to line the links up properly with the sprockets) bring the two ends together.
8. Reinstall the previously removed master links as shown in step 2 & 3 in Figure "B" (Above) Unhook the last link of the conveyor, farthest away from you, and re-thread through the other end, and reconnect back onto itself.
9. Examine the oven to assure proper installation, once satisfied, install crumb trays if you have not done so.

*****DO NOT OPERATE UNIT WITHOUT CRUMB TRAYS INSTALLED.*****

10. Reconnect oven to power supply and check for proper operation.

How To's:

Replacing the Tube Heaters:

Step 1. DISCONNECT POWER SOURCE.

Step 2. Remove the top cover panel. By removing the truss head screws. Pull the top cover panel out slightly.

Step 3. Remove each heater tube wires which are requiring replacement from its terminal block connection. One tube at a time.

Step 4. Remove heater tube retainer by removing retainer screws with washer.

Step 5. Gently, pull defective heater tube out of unit.

Step 6. Gently, put new heater tube into unit.

Step 7. Replace heater tube retainers.

Step 8. Reconnect the heater tube wires to the terminal block.

Step 9. Install top cover panel.

Step 10. Connect unit to power source and test unit for proper operation.

Replacing Fan Motor

Step 1. DISCONNECT POWER SOURCE.

Step 2. After unit has cooled, remove the crumb tray, and turn unit over so this bottom is facing upward. Never place unit on its side.

Step 3. Unplug power supply cord from fan motor.

Step 4. Remove screws which hold fan motor and grill to the control box cover and remove fan.

Step 5. Once removed, clean fan grill and control box cover using warm soapy water.

Step 6. Put replacement motor and grill in place and secure to control box cover with screws previously removed.

Step 7. Reconnect power supply cord to fan motor.

Step 8. Replace back panel and enclosure.

Step 9. Connect unit to power source, reinstall the crumb tray and test unit for proper operation.

Replacing Belt Drive Motor:

Step 1. DISCONNECT POWER SOURCE.

Step 2. After unit has cooled, remove the crumb tray and turn unit over so the bottom is facing upward. Never place unit on its side.

Step 3. Remove the control box cover which contains the fan motor.

Step 4. Remove the cover that will expose the drive chain and sprockets.

Step 5. Remove the sprockets from motor shaft, using an Allen wrench and loosening the set-screw.

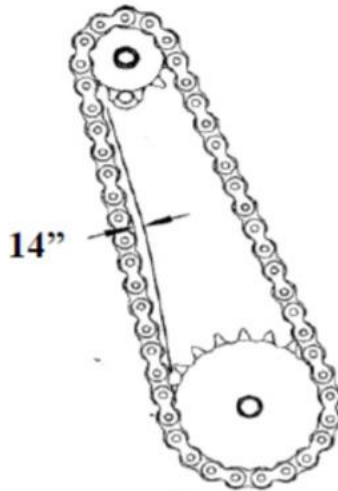
Step 6. Remove the wire from terminal block connecting the drive motor to the internal wiring.

Step 7. Remove screws holding motor in place and remove motor from unit.

Step 8. Put new motor in place and attach loosely with mounting screws.

Step 9. Replace sprocket on motor shaft. PEASE NOTE: The two sprockets must line up flush with each other, so the chain does not twist any during operating. Also the hub gets installed closest to the motor.

Step 10. Slide motor unit the drive chain has about 1/4" slack when lightly pushed at the center of its top open run. (See chain tensioning illustration below.)



Chain Tension

Step 11. Tighten screw to secure motor.

Step 12. Rewire leads.

Step 13. At this time you may plug unit in and test for proper operation prior to reinstalling panel and turning unit back over onto its feet.

Step 14. If unit is working correctly, turn unit off and unplug unit completed.

Step 15. Reinstall side panels and control box cover. Place unit back into its upright position. Reinstall the crumb tray.

Step 16. Connect unit to power source and test unit for proper operation.

Cleaning Air Intake – Weekly

Step 1. DISCONNECT POWER SOURCE.

Step 2. Place unit upside down. NOTE: you may damage the heater tubes by placing unit on its side.

Step 3. Use a vacuum cleaner and or a damp cloth to clean the air intake. The procedure should be done at least once a week.

Lubricate the Sprockets & Chains – Montly

Step 1. DISCONNECT POWER SOURCE.

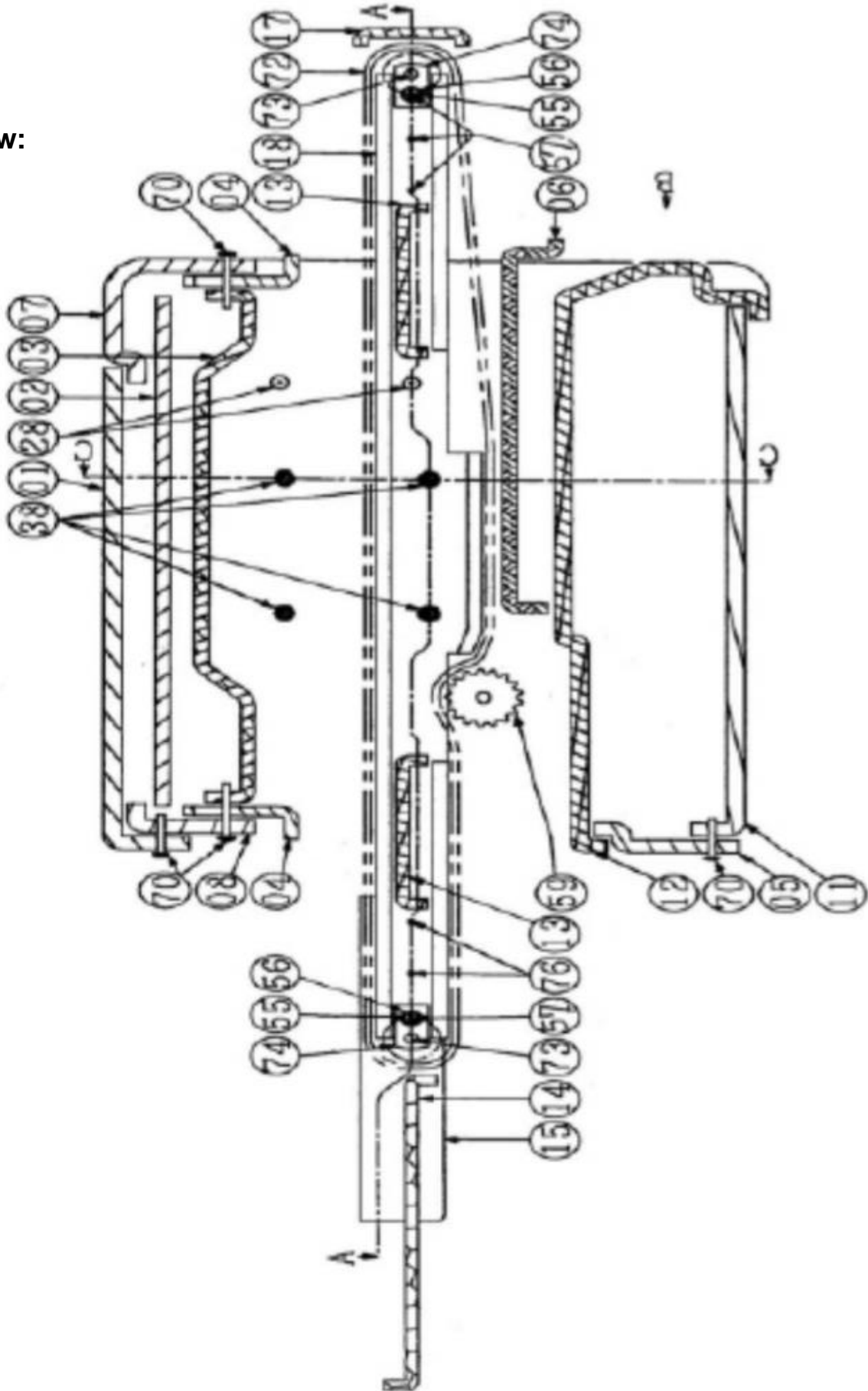
Step 2. Remove the panel which exposes chain drive.

Step 3. Using an extreme pressure, synthetic chain lubricant with a temperature range up to 400°F. Apply liberally onto chain and sprockets.

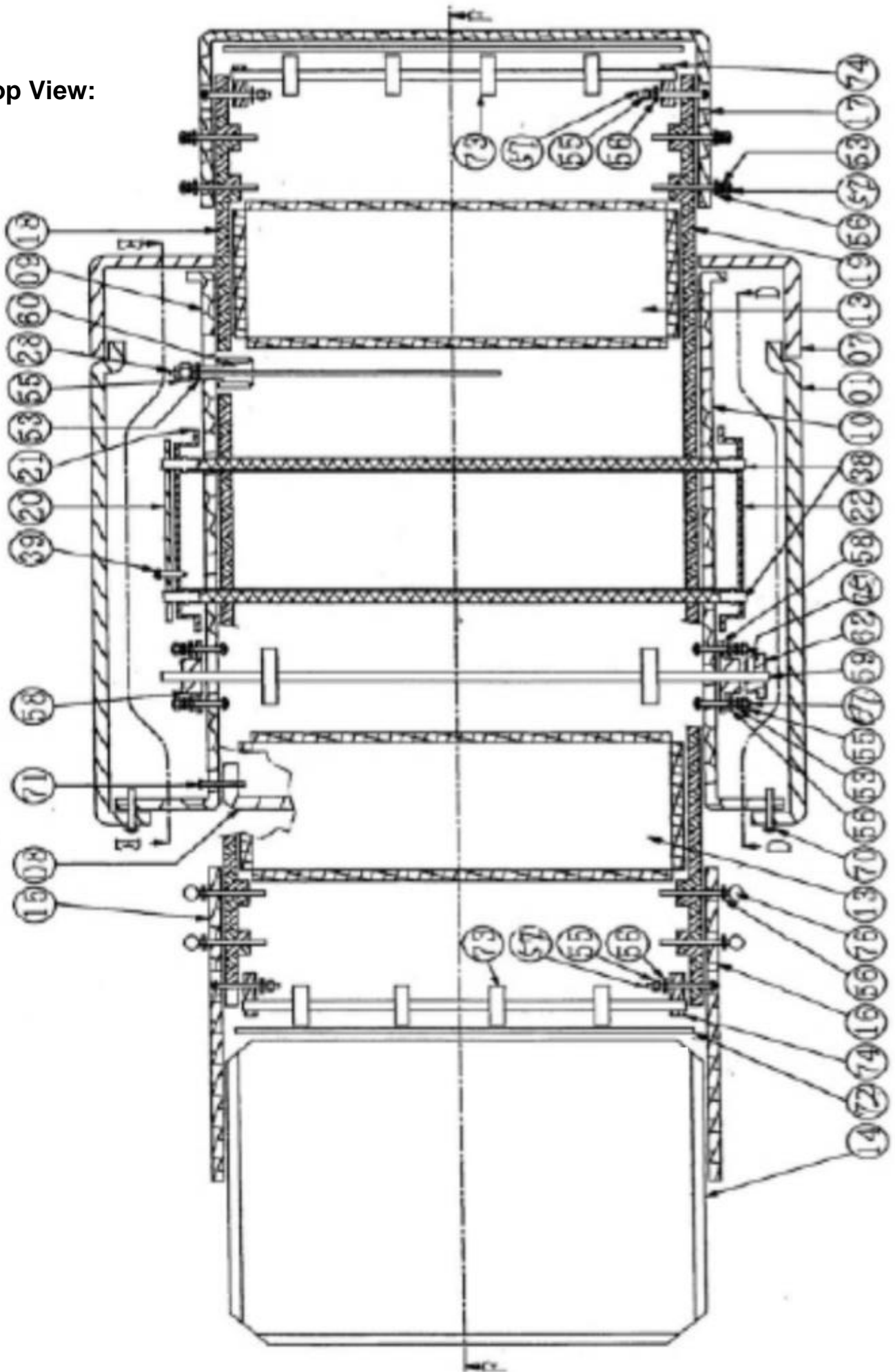
Step 4. Replace panel, reconnect power source and test unit.

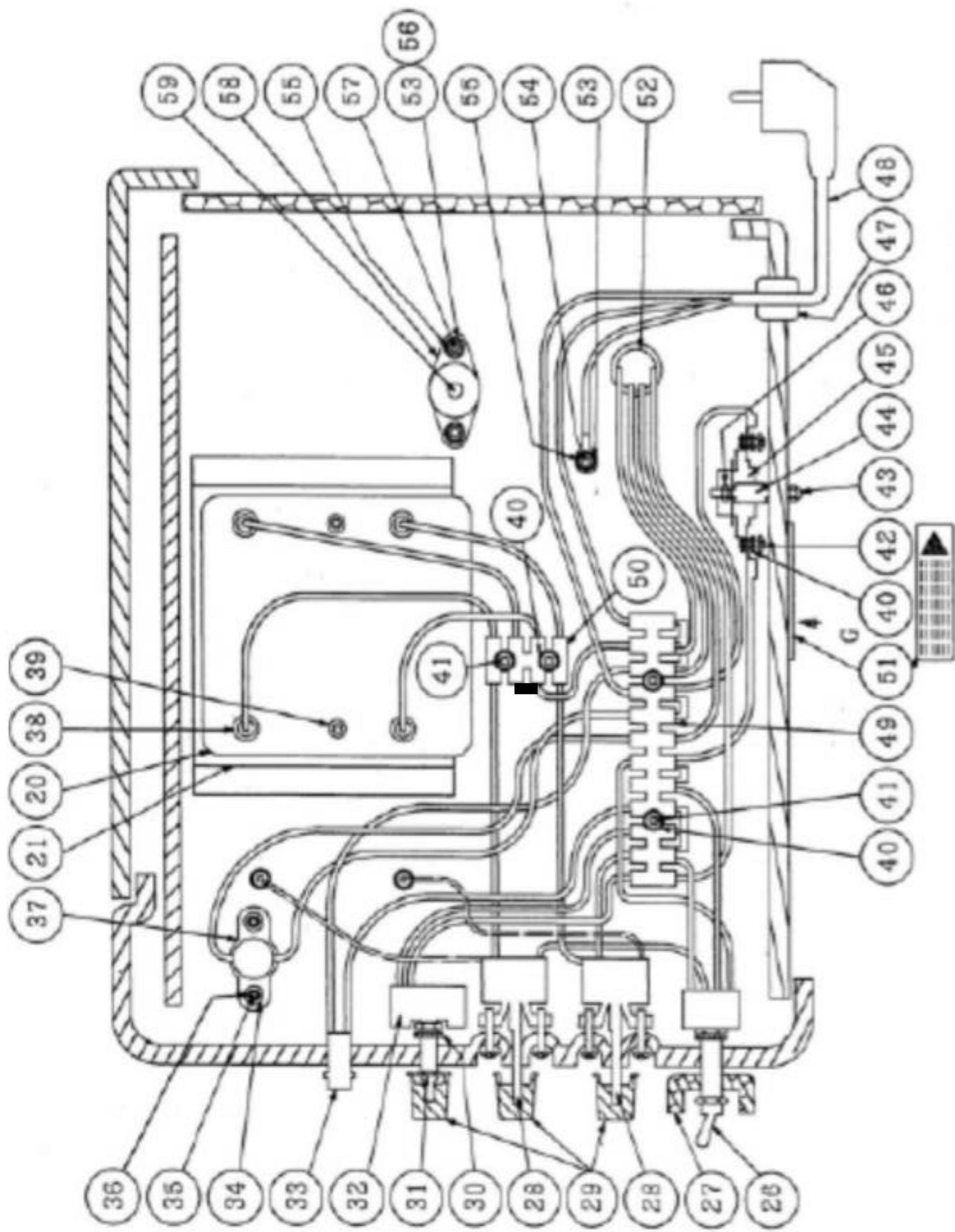
Parts Break Down – Multi View:

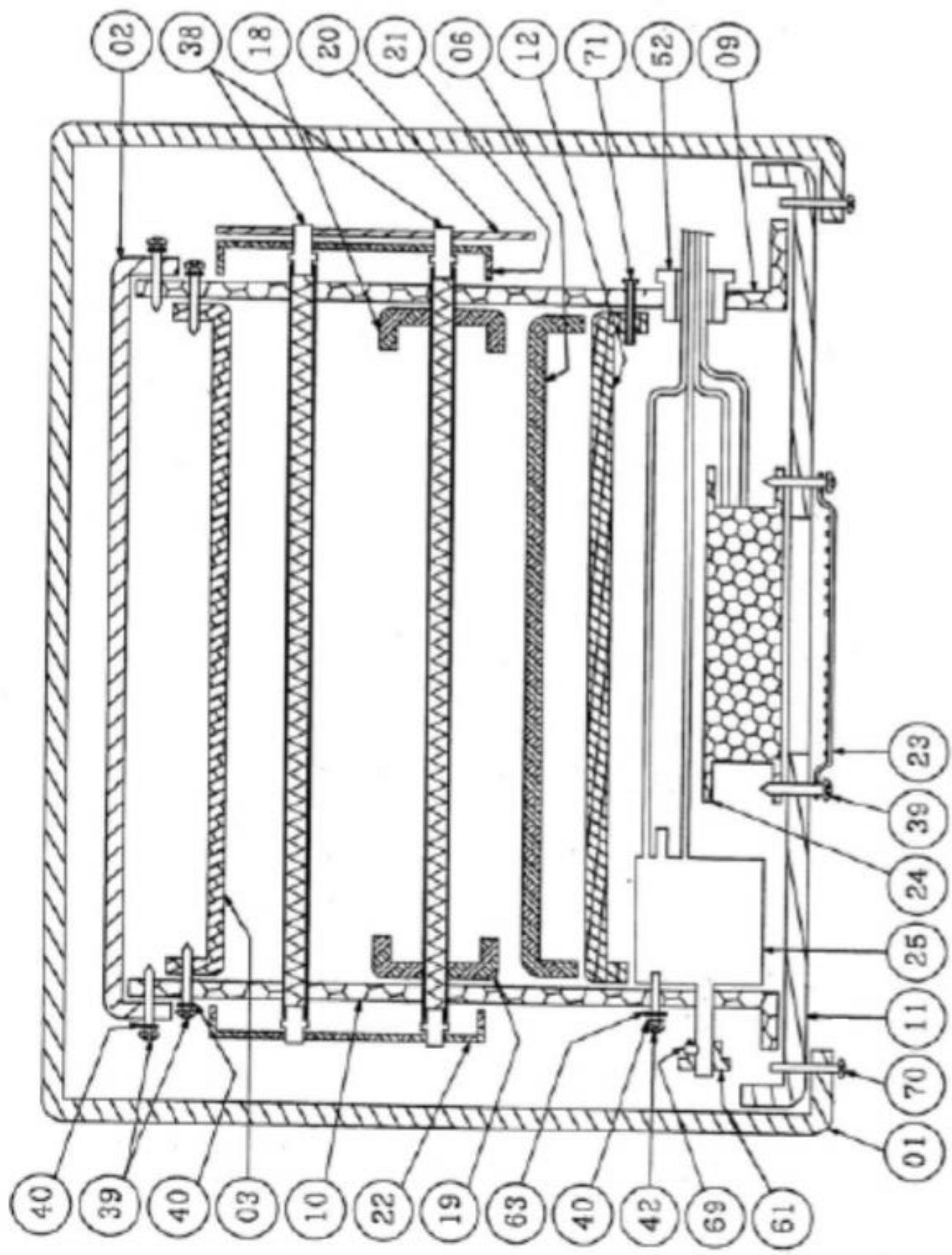
Side View:



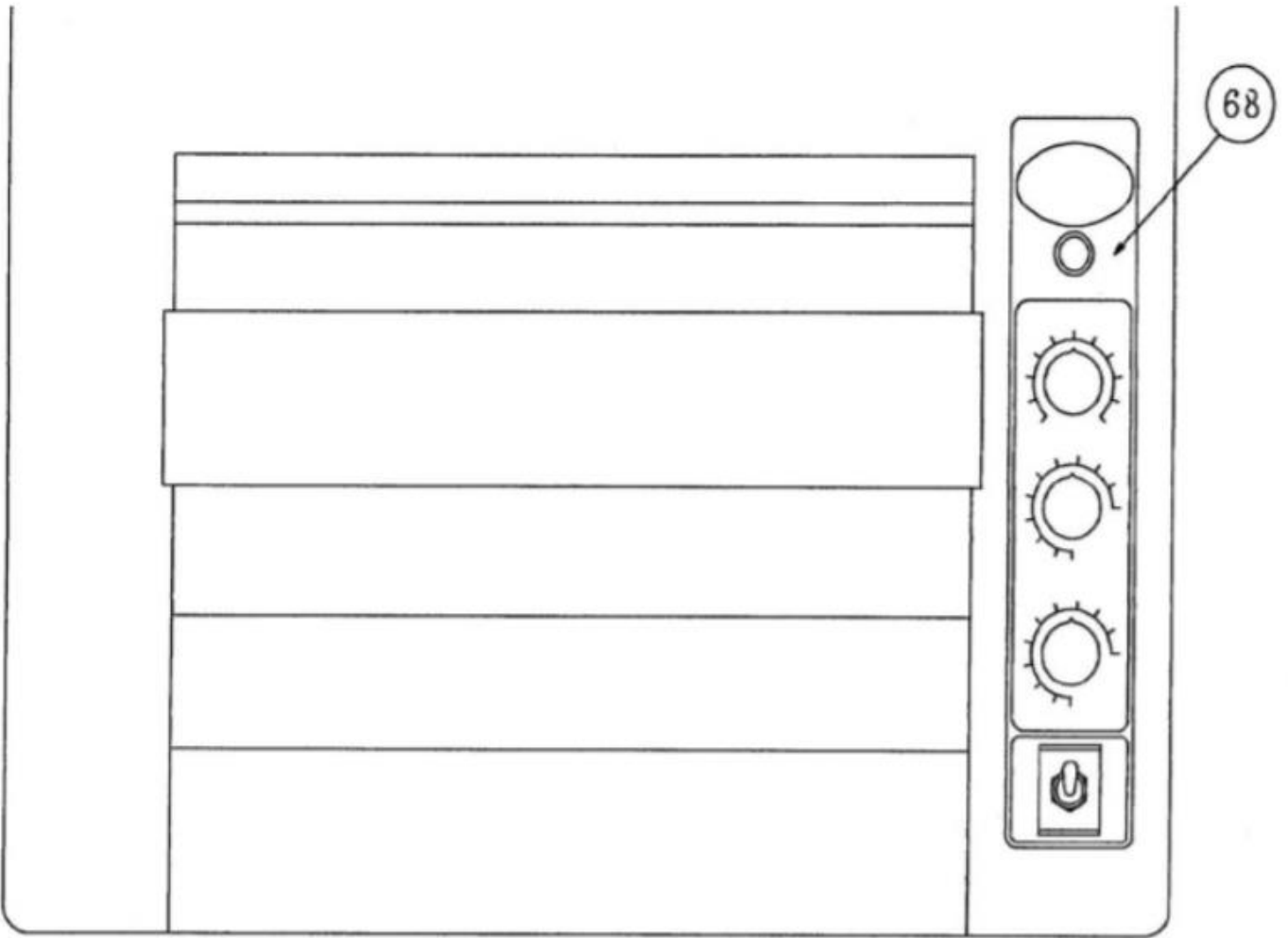
Top View:







Front View:



Description

- Position 01** - Stainless Steel Cover
- Position 02** - Fan Terminal
- Position 03** - Insulation Plate
- Position 04** - Plate Front
- Position 05** - Cover Rear
- Position 06** - Drawer
- Position 07** - Front Plate
- Position 08** - Rear Plate
- Position 09** - Left Plate
- Position 10** - Right Plate
- Position 11** - Base Plate
- Position 12** - Insulation Plate Middle
- Position 13** - Conveyor Frame
- Position 14-16** - Stainless Steel Complete Tray
- Position 17-19** - Protection for Conveyor
- Position 20-22** - Protection for Tube Element
- Position 23-24** - Fan with Protection
- Position 25** - Drive Motor Complete
- Position 26** - 4P On/Off Switch
- Position 27** - Switch Protection
- Position 28-1** - Ego Switch 250C (for Controlled Upper Heater)
- Position 28-2** - Ego Switch 320C (for Controlled Bottom Heater)
- Position 29** - Knob
- Position 32** - Speed Regular Controller 230V 1000 Omega
- Position 33** - Indicate Light
- Position 37** - T.O.D.36 F65
- Position 38** - Element 240V 3600W
- Position 45** - CR-1 Thermostat (Top - Speed Control)
- Position 49** - Terminal PA-12 (12P)
- Position 50** - Terminal
- Position 59** - Drive Shaft
- Position 61** - Gear 11T
- Position 62** - Gear 17T
- Position 64** - Chain (#25x56 Mesh)
- Position 72** - Stainless Steel Conveyor Belt (Width 35.5cm)

Warranty & Service

One year parts and labor limited warranty on most items, there are select items which carry a two year warranty. Extended warranty is available on some products. Contact us for details.

For all warranty claims, proof of purchase is required.

Warranty begins 10 days after shipping from warehouse; delays in installation which would extend the warranty must be approved.

All equipment must be installed and connected by qualified professionals in accordance with the manual specification.

Any abuse of equipment or improper use of machinery will void the warranty. Including failure to follow all instructions in operations manual. Properly install, maintain equipment, follow capacity charts, or electrical information.

Accessories, attachments, or electrical components such as fuses, bulbs, elements and switches are covered under a 90 day warranty. Repairs include Parts and Labor only, excluded is the following:

1. Overtime Labor Rates
2. Expedited Freight for Parts
3. BakeMax assumes no responsibility for down time or loss of product. All defective parts must be returned to BakeMax for credit. Repairs must be pre-authorized by BakeMax prior to work commencing.
4. Travel time is not covered by BakeMax, unless pre-authorized by BakeMax.

Bench Warranty (Machines Weighing 100 lb or less)

For all warranty claims proof of purchase is required to claim warranty. One year parts and labor warranty, from date of purchase.

Once machine is approved for warranty, the machine is to be shipped prepaid to authorized service depot. Customer will ship machine prepaid to authorized service depot. If machine requires warranty work in less than 30 days of purchasing BakeMax will pay all shipping charges. (Freight damages during shipping for warranty is the responsibility of the owner of the machine.)

Once machine is received and repaired it will be returned to the user at BakeMax expense.

*****BakeMax machines sold outside of the continental North America will carry one year parts warranty only.***

Titan Ventures International (TVI)
Toll Free: 1-800-565-BAKE (2253)
Telephone: 1-506-858-8990
Fax: 1-506-859-6929
Email: Info@BakeMax.com

BakeMax is a Registered Trade Mark of Titan Ventures International Inc.

BakeMax ® / Titan Ventures International Inc.