

### BakeMax BMCBF Titan Series Heated Display Cases



Model BMCBF18

Increase impulse sales with a BakeMax BMCBF Titan Series Heated Display Case. Ideal for convenience stores, concession stands, kiosks, and snack stations, display your food while keeping them at food safe temperatures.

#### Features:

- Stainless steel construction
- 3 adjustable chrome plated shelves with a load capacity of 22lb each
- Back doors
- Water pan to add humidity
- Manual temperature control that ranges from 85-190°F
- External temperature display
- Internal top light
- Front top light box with decal
- Available in 18" (BMCBF18) & 25" (BMCBF25) widths
- 1 Year Limited Warranty



Water Pan



Manual Temperature Control



Temperature Display





Model BMCBF25

\*\* Due to continuous product improvement, specifications are subject to change without notice.

**BakeMax<sup>®</sup> / Titan Ventures International Inc.**

#### Warehouses:

270 Baig Blvd, Suite A3, Moncton, NB E1E1C8   
 1605 Crescent Cr Carrollton, TX, Dallas, TX 75006 

Toll Free: 1-800-565-BAKE (2253)

Phone: 506-858-8990

Fax: 506- 859-6929

Email: Sales@BakeMax.com

### BakeMax BMCBF Titan Series Heated Display Cases

#### Technical Specifications:

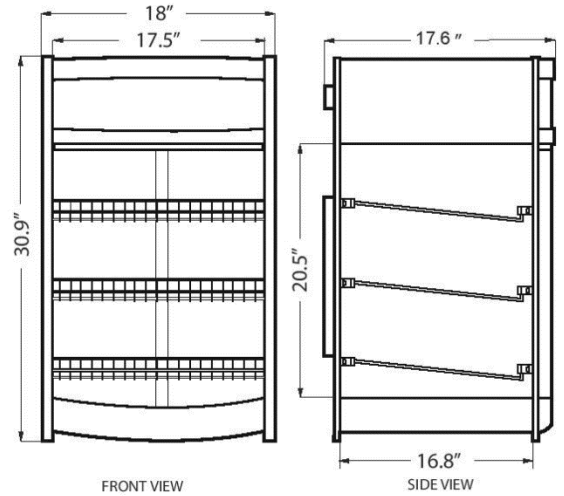
##### Model BMCBF18

- Exterior Dimensions (WDH) 18" x 17.8" x 30.9"
- Shelf Size: 15.4" W x 13.3" D
- Net Weight 48.5 lb / 22 kg
- 120v / 7.2 Amps / 786W / 60Hz / 1Ph
- Nema 5-15P Plug

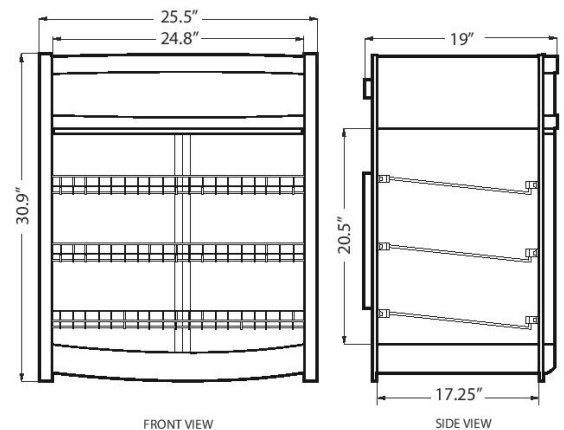
##### Model BMCBF25

- Exterior Dimensions (WDH) 25.5" x 19" x 30.9"
- Shelf Size: 22.6" W x 13.3" D
- Net Weight 59.5 lb / 27 kg
- 120v / 9.5 Amps / 1050 W / 60Hz / 1Ph
- Nema 5-15P Plug

##### Model BMCBF18



##### Model BMCBF25



#### Shipping Specifications:

##### Model BMCBF18

- Packaged Dimensions (WDH) 21" x 21.1" x 32.8"
- Packaged Weight 50.5 lb / 22.9 kg

##### Model BMCBF25

- Packaged Dimensions (WDH) 28.3" x 21.1" x 32.8"
- Packaged Weight 61.5 lb / 27.9 kg





Model BMCBF18



Model BMCBF25

BakeMax<sup>®</sup> / Titan Ventures International Inc.

#### Warehouses:

270 Baig Blvd, Suite A3, Moncton, NB E1E1C8   
 1605 Crescent Cr Carrollton, TX, Dallas, TX 75006 

Toll Free: 1-800-565-BAKE (2253)

Phone: 506-858-8990

Fax: 506- 859-6929

Email: Sales@BakeMax.com