



www.BakeMax.com

Project: \_\_\_\_\_

Item: \_\_\_\_\_

Qty: \_\_\_\_\_ Date: \_\_\_\_\_

## BakeMax BMDD005 Divider Rounder Combo



The BakeMax BMDD005 Divider Rounder Combo is composed of one dough divider and one dough rounder completely automatic, to prepare round and perfectly closed dough portions of different weights with ease and saving time and labor. Easy to disassemble and to clean. This machine is manufactured according to sanitary and safety norms.

The divider can process up to 400 kg of dough per hour into 180 – 650-gram portions. The BMDBR3L rounder then processes each portion 50 times to ensure they come out round and perfectly closed, ready to rise, as if they were rounded manually.

### Features:

- Constructed of high-quality stainless steel and anodized aluminum
- Saves time and labor with its automaticity
- New sensor measuring technology for precision cutting
- The rounder processes each portion 50 times to ensure they come out round and perfectly closed, without causing any strain to the dough.
- Dough hopper holds up to 44 liters
- Dividing Range: 180 – 650 grams. Optional scaling cone to offer 70 – 180 gram dividing range
- Rounding Range: 70 to 1,200 grams
- Output: 70-400 kg per hour
- Limited 2-year warranty





BMDBR3L Dough Ball Rounder with Legs

\*\* Due to continuous product improvement, specifications are subject to change without notice.

**BakeMax® / Titan Ventures International Inc.**

### Warehouses:

270 Baig Blvd, Suite A3, Moncton, NB E1E 1C8   
1605 Crescent Circle, Dallas, TX 75006 

**Toll Free:** 1-800-565-BAKE (2253)

**Phone:** 506-858-8990

**Fax:** 506- 859-6929

**Email:** Sales@BakeMax.com



www.BakeMax.com

Project: \_\_\_\_\_

Item: \_\_\_\_\_

Qty: \_\_\_\_\_ Date: \_\_\_\_\_

## BakeMax BMDD005 Divider Rounder Combo



Inside View of the Auger



Controls: Emergency Stop, On / Off Buttons, Speed Control and Dough Weight Control

### Technical Specifications BMDD005 (Combo):

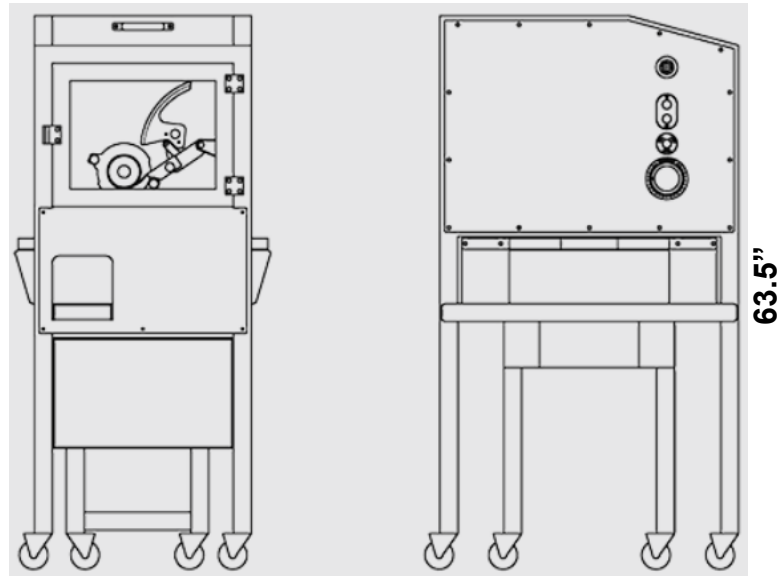
- Exterior Dimensions (WDH) 28.5" x 34" x 63.5"
- Net Weight 474 lb
- 115v / 13 Amps / 1120 W / 60Hz / 1Ph
- Nema 5-15P Plug

### Technical Specifications BMDBR3L Only:

- Exterior Dimensions (WDH) 34" x 34" x 45.3"
- Net Weight 163 lb
- 115v / 7 Amps / 370 W / 60Hz / 1Ph
- Nema 5-15P Plug

### Shipping Specifications:

- Packaged Dimensions (WDH) 40" x 48" x 75"
- Packaged Weight 550 lb



28.5"

34"

63.5"

BakeMax® / Titan Ventures International Inc.

#### Warehouses:

270 Baig Blvd, Suite A3, Moncton, NB E1E 1C8   
 1605 Crescent Circle, Dallas, TX 75006

Toll Free: 1-800-565-BAKE (2253)

Phone: 506-858-8990

Fax: 506- 859-6929

Email: Sales@BakeMax.com