



www.BakeMax.com

Project: \_\_\_\_\_

Item: \_\_\_\_\_

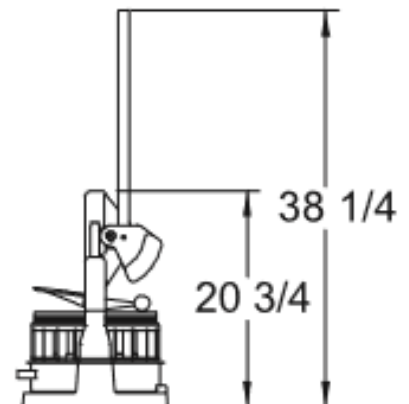
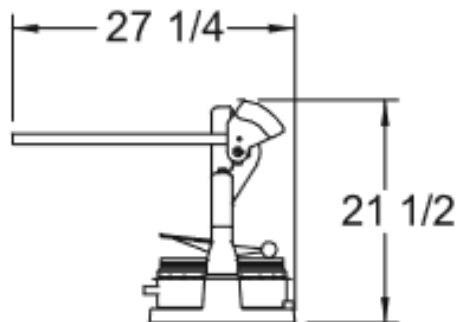
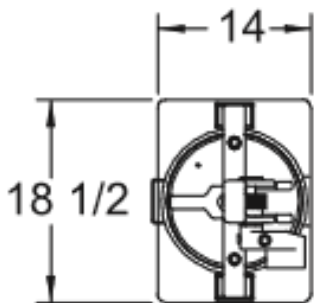
Qty: \_\_\_\_\_ Date: \_\_\_\_\_

# BakeMax BMDX-BMIH Manual Dough Divider



Expand your dimensions with the BMDX-BMIH Manually Operated Dough Divider. Now with one machine, dough may be divided into pieces that are small enough for mini-buns, hamburger or hot dog buns, dinner rolls, hoagies, poor boys, subs, pizza and much more. The BakeMax BMDX-BMIH features interchangeable head assemblies in either 36-part or 18-part divisions. This allows for fast and accurate scaling of dough in weights ranging from 36 pieces (from 1-4 ounces each ) to 18 pieces (from 2-9 ounces each). The BMDX-BMIH is perfect for variety of types of yeast-raised dough, including bread dough, bun dough, tortilla dough, pizza dough, cookie dough, and even ground meat or sausage. The BMDX-BMIH will give you consistent, repeatable results every time.



The dividing head assembly removes easily in seconds without tools for easy cleaning in a sink or commercial dishwasher. When removed for cleaning or interchangeable, the entire head assembly can be placed into a sink or dishwasher for complete cleaning to a sanitary operating condition in just minutes per day.



\*\* Due to continuous product improvement, specifications are subject to change without notice.

**BakeMax ® / Titan Ventures International Inc.**

**Warehouses:**

270 Baig Blvd, Moncton, NB, E1E1C8   
1605 Crescent Circle, Dallas, TX 75006 

**Toll Free:** 1-800-565-BAKE (2253)

**Phone:** 506-858-8990

**Fax:** 506- 859-6929

**Email:** Sales@BakeMax.com