



BakeMax BMSM Series Spiral Mixer Parts Breakdown



Questions? Contact Us:

Toll Free: 1-800-565-2253

Email: Info@BakeMax.com

www.BakeMax.com

Warranty Registration

www.BakeMax.com/Warranty-Registration

14. Parts Diagrams
Figure 1. TOP COVER &
COLUMN

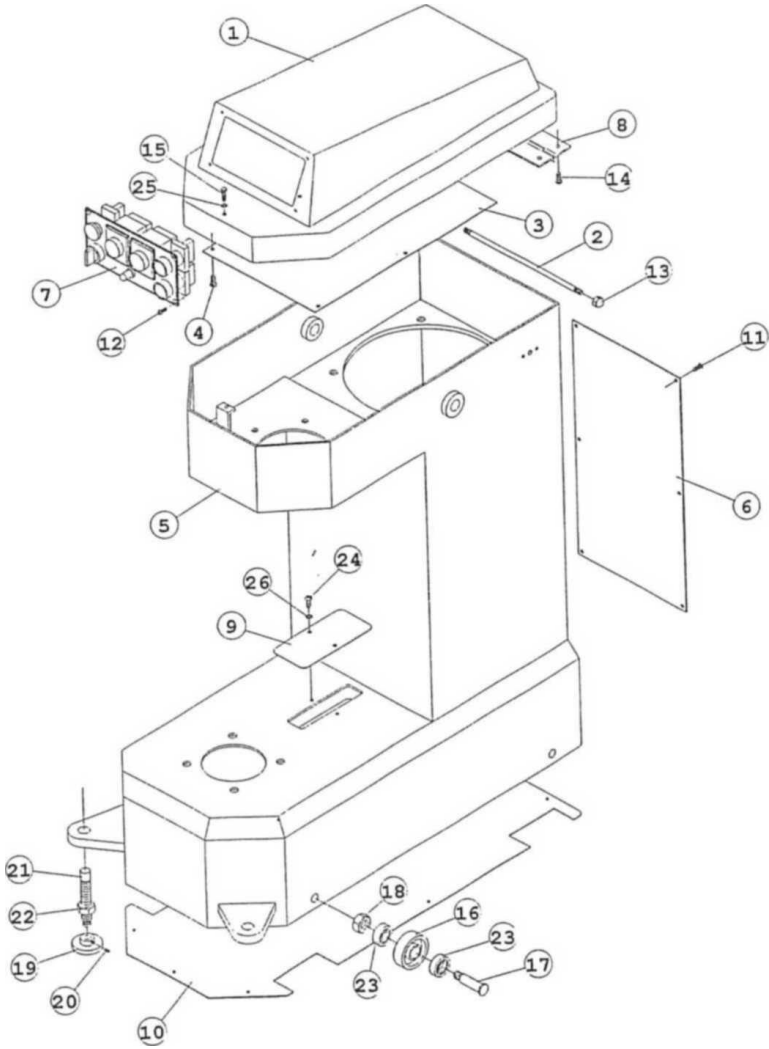


Figure 1	Description or Name	Qty
1	Top Cover	1
2	Screw Bar	1
3	Plate	1
4	Mach Screw 3/16" * 3/16"	4
5	Column	1
6	Rear Cover	1
7	Control Panel	1
8	Hinge	1
9	Plate	1
10	Bottom plate	1
11	Mach Screw 3/16" * 1/4"	6
12	Mach Screw 3/16" *	4
13	Nut 5/16" * 18NC	2
14	Mach Screw 1/4" * 3/8"	3
15	Bolt 1/4" * 3/8"	1
16	Wheel	4
17	Wheel shaft	4
18	Nut 1/2" * 12NC	4
19	Fixed plate	2
20	Set Screw 5/16" * 3/8"	4
21	Adjusting Screw	2
22	Nut 3/4" * 16NF	2
23	Ball Bearing 6202Z	8
24	Mach Screw 3/16" * 1/4"	2
25	Spring Washer 1/4"	1
26	Spring Washer 3/16"	2

Figure 2. MAIN SHAFT

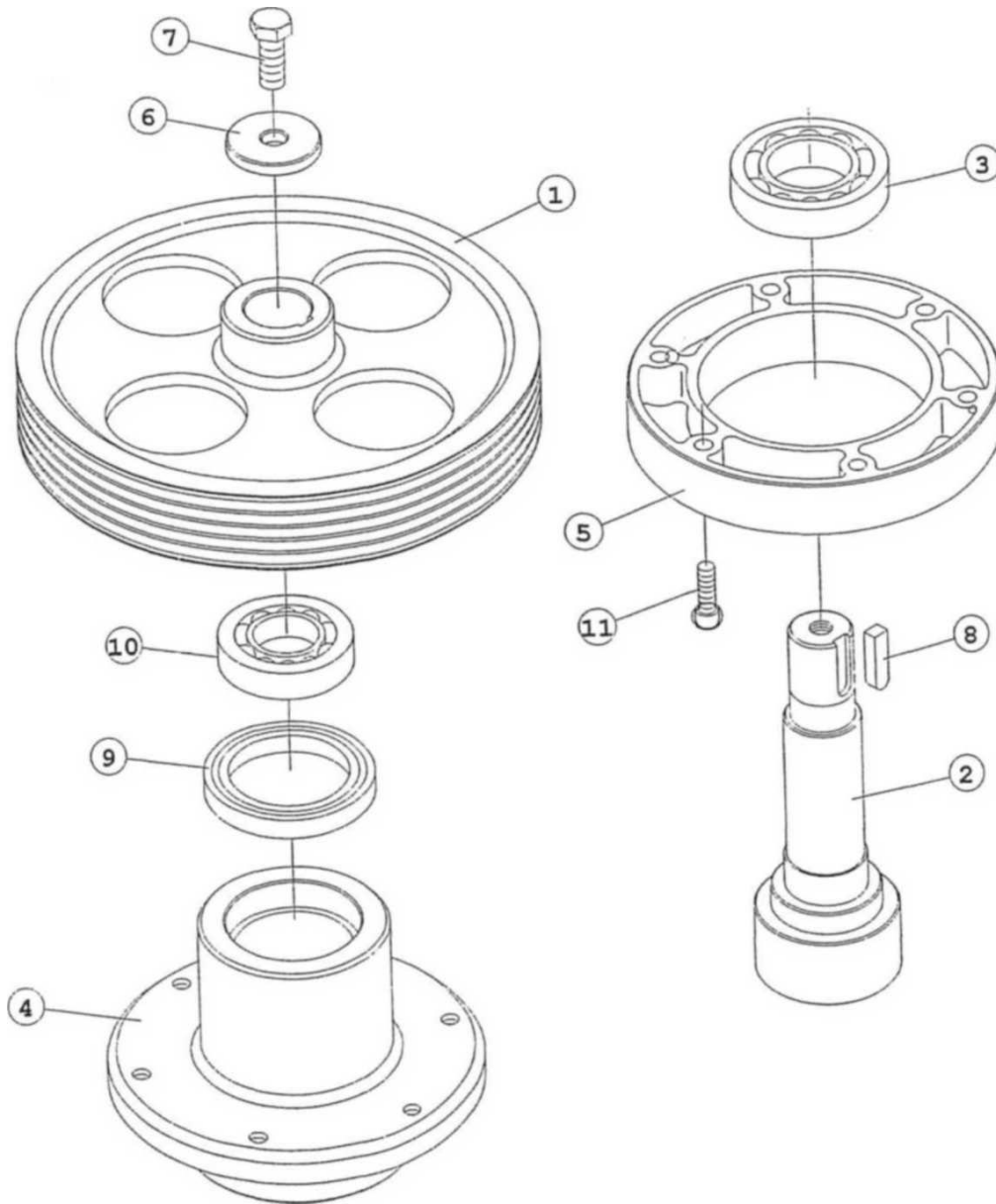


Figure 2	Description or Name	Qty
1	Agitator Pulley	1
2	Agitator Shaft	1
3	Ball Bearing 6209Z	1
4	Bearing Scat	1
S	Cover of Bearing Seat	1
6	Flat Washer	1
7	Bolt 1/2" * 1"	1
8	Key 10*8*35	1
9	Oil Seal TC60*85*10	1
10	Ball Bearing 6207Z	1
11	Cap Screw 3/8" * 1-1/4"	6

Figure 3. BOWL TRANSMISSION

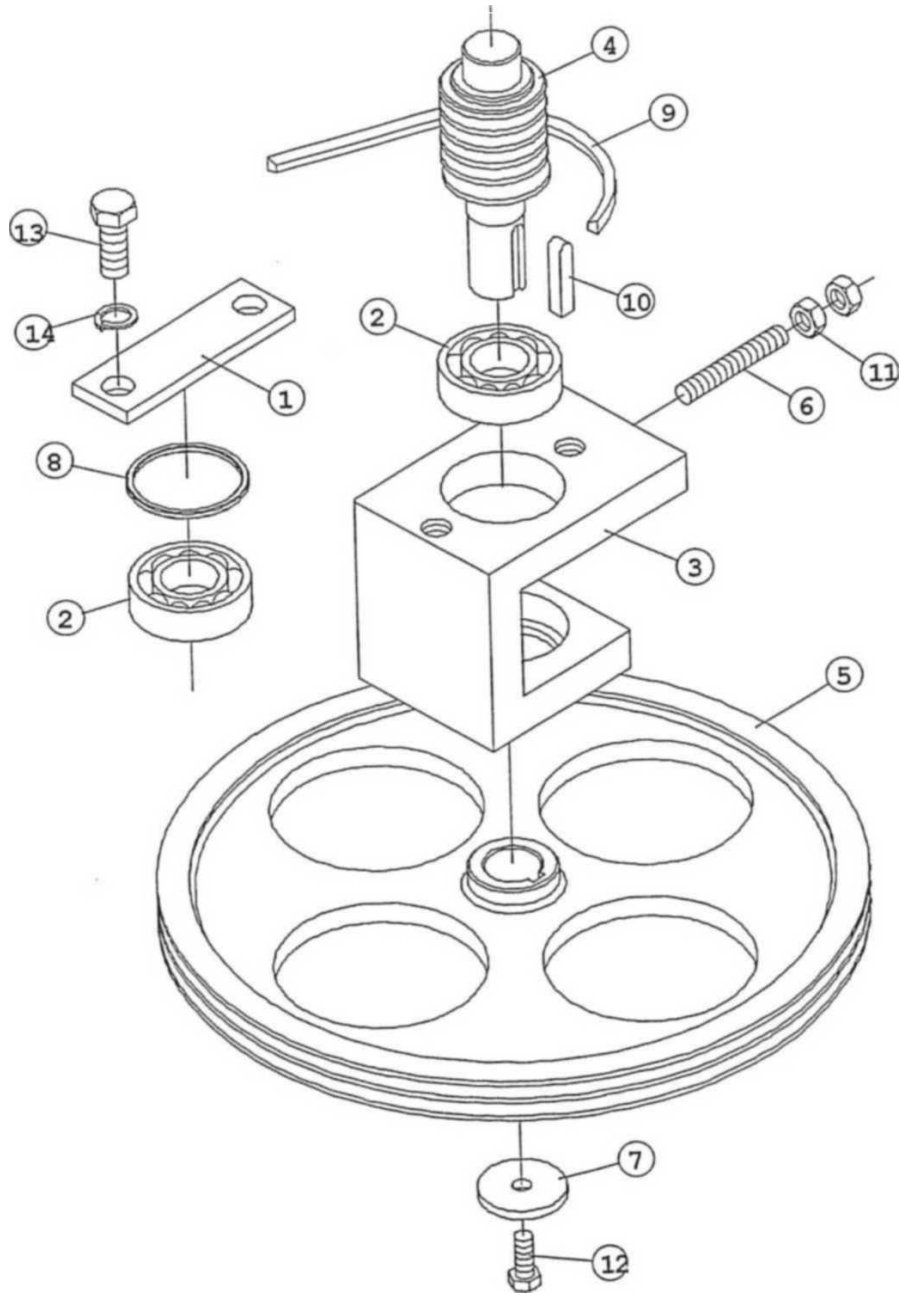


Figure 3	Description or Name	Qty
1	Fixed Plate	1
2	Ball Bearing 6205Z	2
3	Bearing Scat	1
4	Pulley	1
5	Transmission Pulley	1
6	Adjusting Screw	1
7	Flat Washer	1
8	Flat Washer	1
9	V Belt 7M*1000L	5
10	Key 7*7*35	1
11	Nut 3/8" * 16NC	2
12	Bolt 5/16" * 3/4"	1
13	Bolt 1/2" * 3/4"	2
14	Spring Washer 1/2"	2

Figured 4 BOWL SHAFT

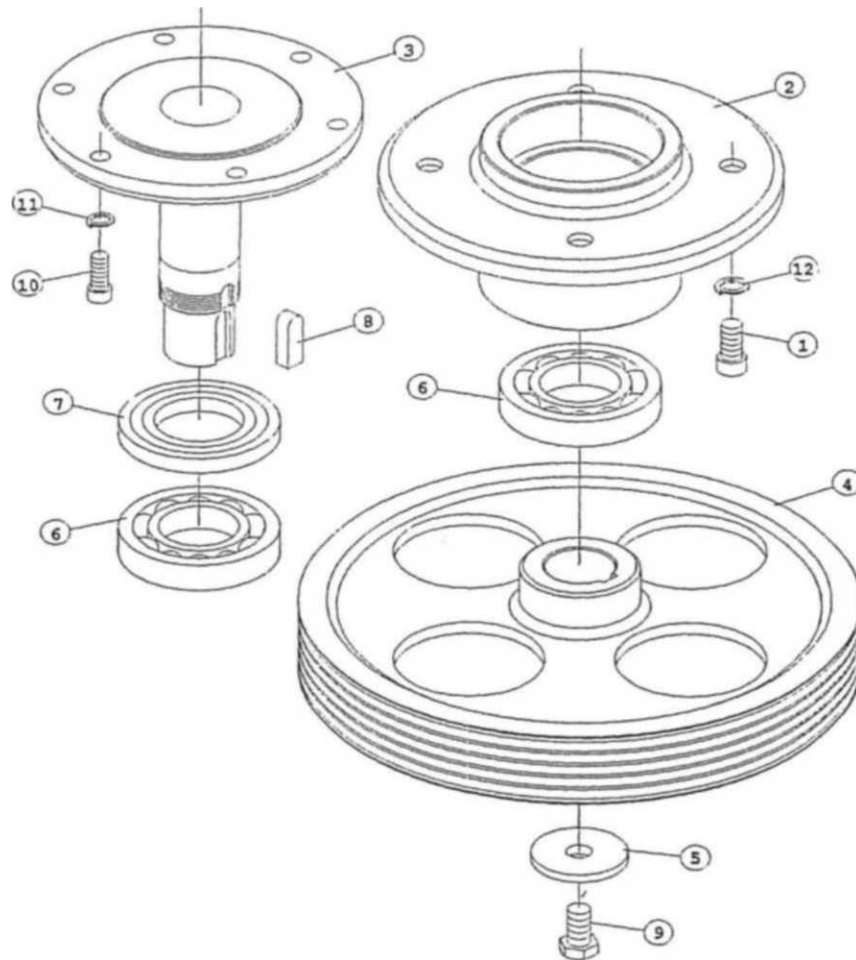


Figure 4	Description or Name	Qty
1	Cap Screw 1/2" * 3/4"	4
2	Bearing Scat	1
3	Bowl Support & Shaft	1
4	Bowl Pulley	1
5	Flat Washer	1
6	Ball Bearing 6208Z	2
7	Oil SealTC45*80*10	1
8	Key 10*8*35	1
9	Bolt 1/2" * 1"	1
10	Cap Screw 3/8" * 1"	6
11	Spring Washer 3/8	6
12	Spring Washer 1/2	4

Figure 5. AGITATOR MOTOR

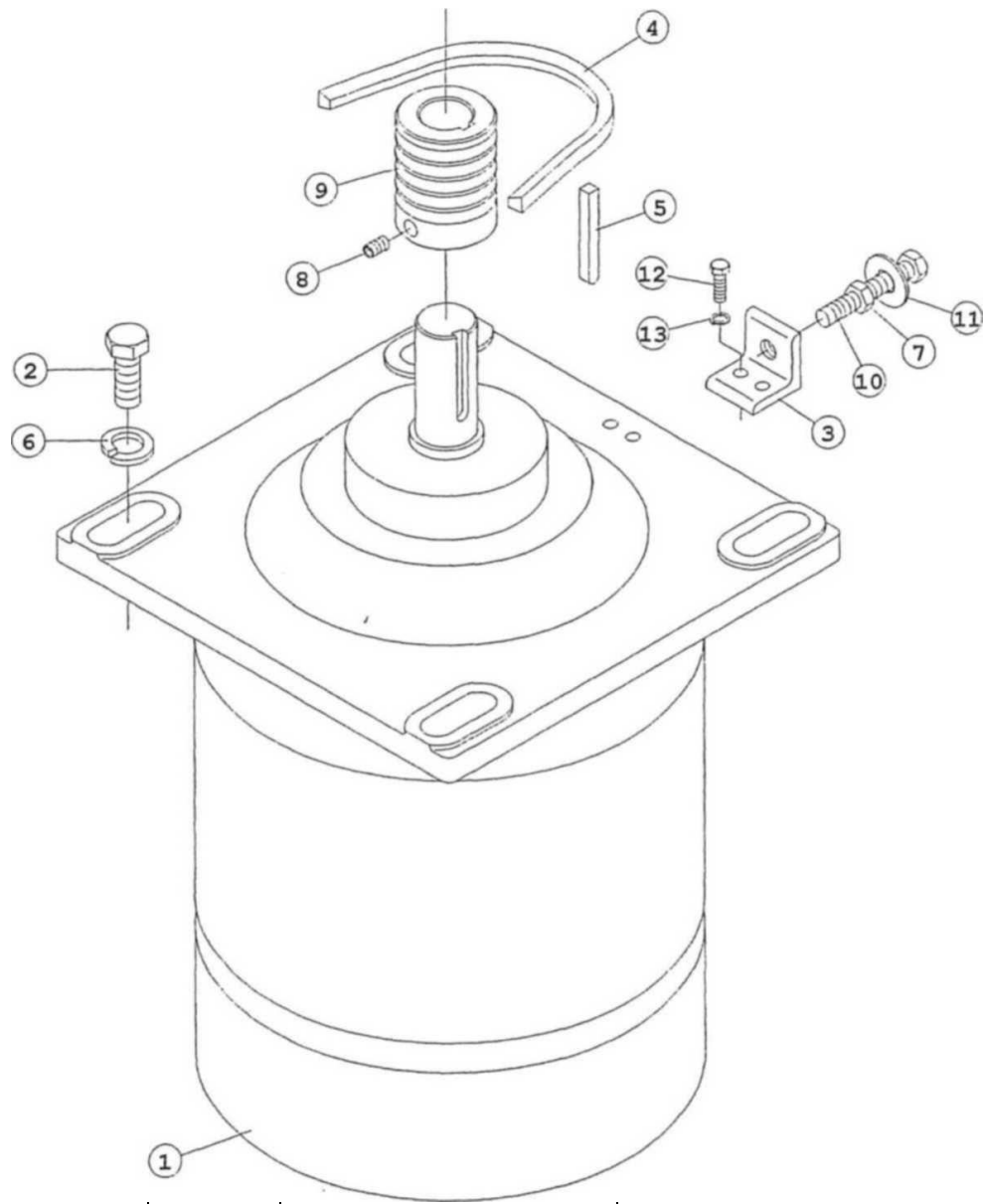


Figure 5	Description or Name	Qty
1	Motor	1
2	Bolt 1/2" * 1"	4
3	Adjusting Block	1
4	V Belt 7M*1150L	5
5	Key 7*7*55	1
6	Spring Washer 1/2"	4
7	Nut 3/8" * 16NC	1
8	Set Screw 5/16" * 5/16"	1
9	Motor Pulley	1
10	Bolt 3/8" * 2"	1
11	Flat Washer 3/8"	1
12	Bolt 1/4" * 5/8"	2
13	Spring Washer 1/4"	2

Figure 6. BOWL MOTOR

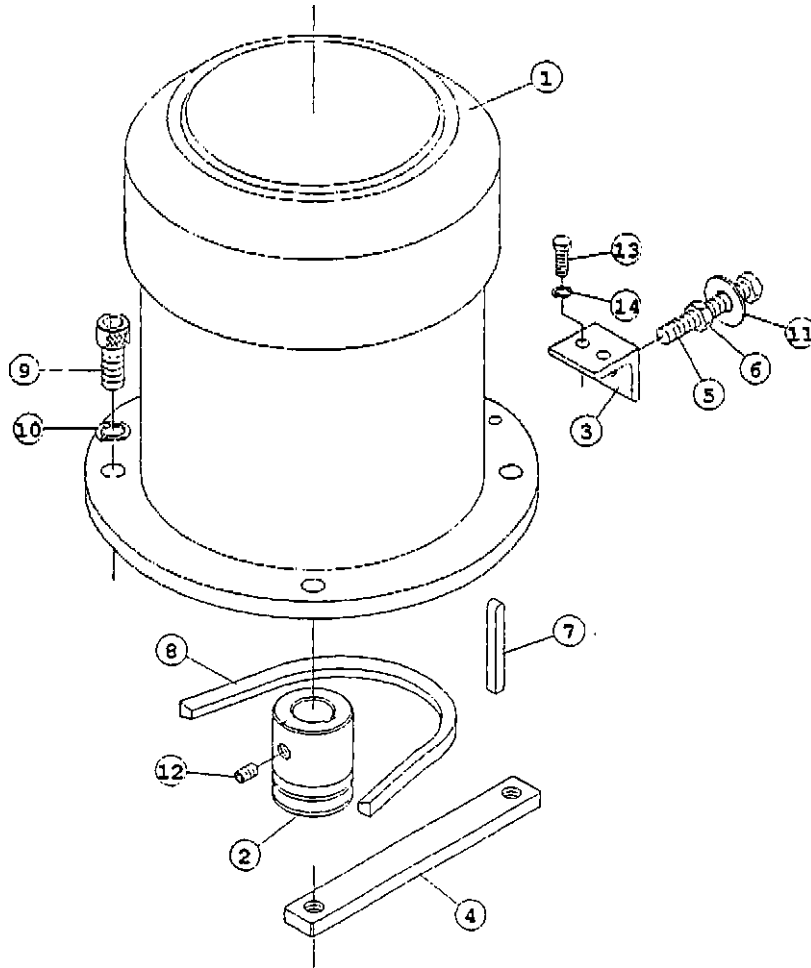


Figure 6	Description or Name	Qty
1	Motor	1
2	Motor Pulley	1
3	Motor Adjusting Block	1
4	Fixed Plate	2
5	Bolt 3/8" * 2"	1
6	Nut 3/8"*16NC	1
7	Key 6*6*45	1
8	V Belt 7M*1090L	2
9	Cap Screw 3/8" * 3/4"	4
10	Spring Washer 3/8"	4
11	Flat Washer 3/8"	1
12	Set Screw 5/16" * 5/16"	1
13	Bolt 1/4" * 5/8"	2
14	Spring Washer 1/4"	2

Figure 7. SAFETY GUARD

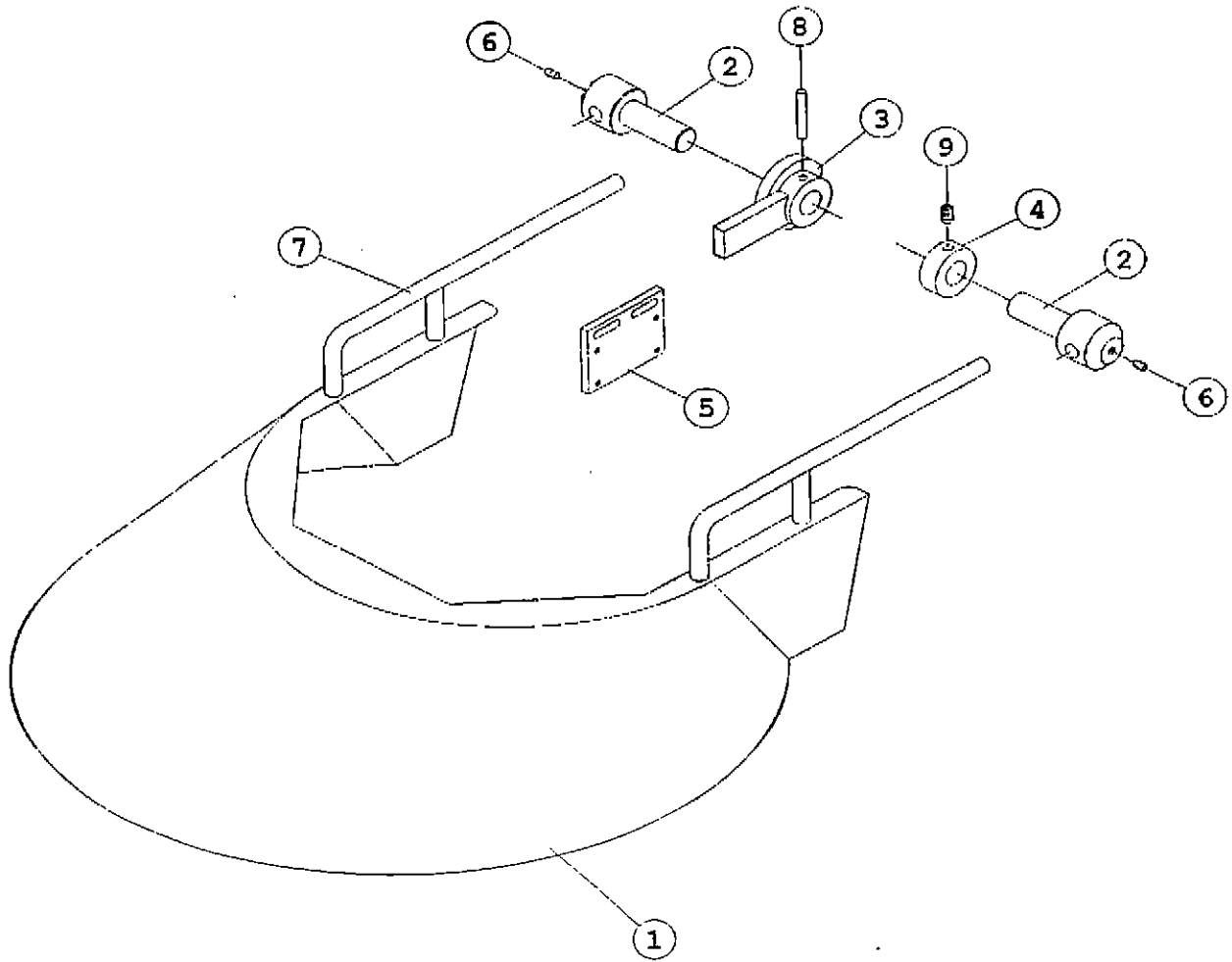


Figure 7	Description or Name	Qty
1	Safety Guard	1
2	Roller of Safety Guard	2
3	Hub & Plug	1
4	Hub	1
5	Scat of Limit Switch	1
6	Set Screw 5/16" * 3/8"	2
7	Guard Support	2
8	Spring Pin 4 * 40	1
9	Set Screw 5/16" * 3/8"	2

Figure 10. Electrical Parts - Simple Type

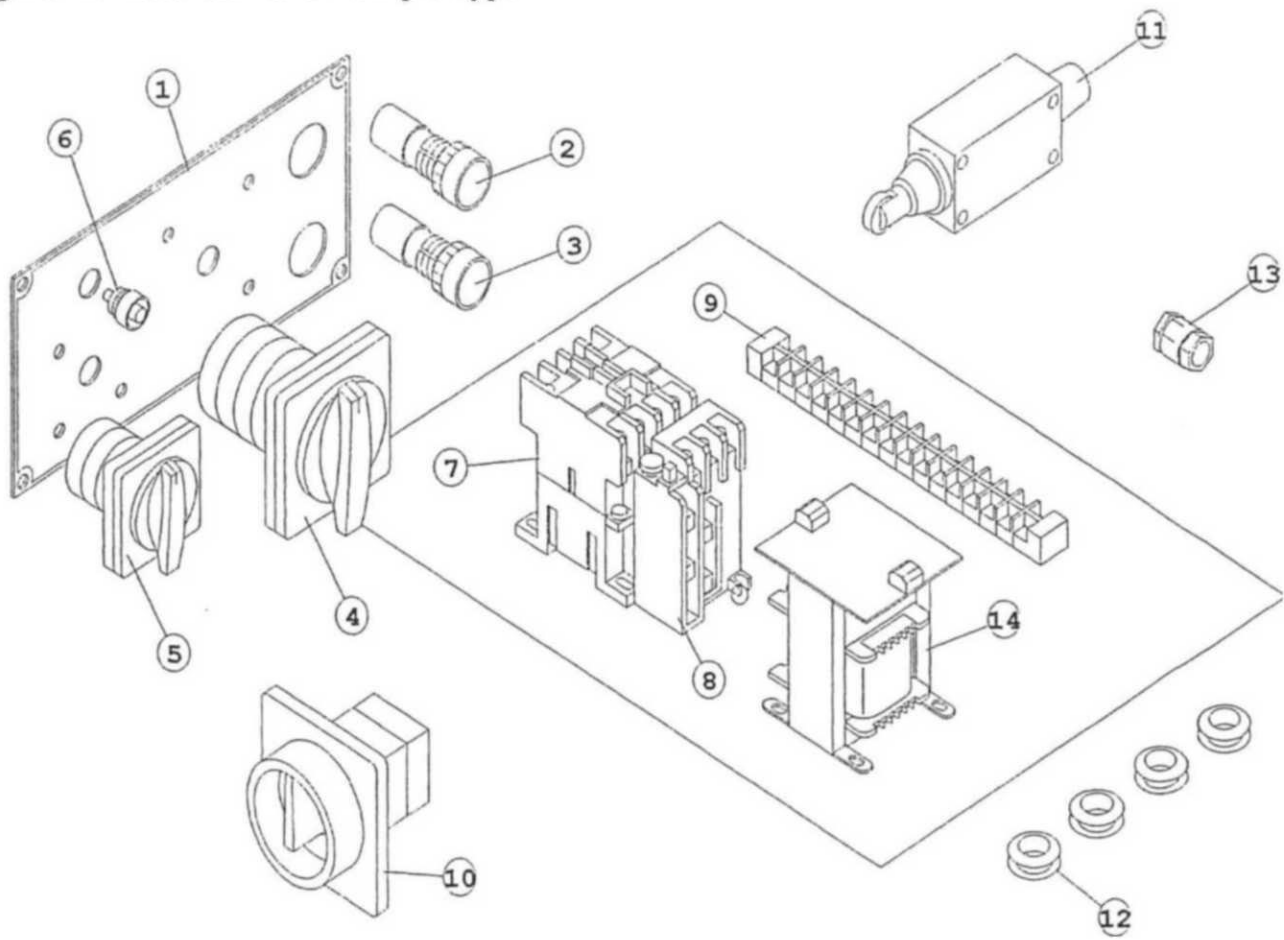


Figure 10	Description or Name	Qty
1	Control Panel	1
2	Start Switch	1
3	Stop Switch	1
4	Speed Switch	1
5	Bowl Switch	1
6	Indicator Lamp	1
7	Contactor	1
8	Overload Relay	1
9	Terminal Block	1
10	Main Switch	1
11	Limit Switch	1
12	Cable Ring	4
13	Cable Tie	1
14	Transformer (380V ONLY)	1