



www.BakeMax.com

Project: _____

Item: _____

Qty: _____ Date: _____

BakeMax BMGG036 Refrigerated Display Case



The BakeMax BMGG036 refrigerated display case is a self-contained merchandising refrigerator that provides customer with easy & convenient access to foods & products. Digital temperature controller maintains storage temperatures in a range of 35.6°F to 53.6°F with a power consumption of 1260 watts. This display case includes ventilated cooling & automatic defrost system, also features a pull down curtain for power saving. Its open construction, stainless steel finish & shelves lit by bright LEDs offers a great user experience.

Free-standing design for merchandising beverages, sandwiches, cheese. Great for displaying dairy products, fruits, vegetables & much more.

Features:

- LED Lights on the top of each layer
- Electronic temperature control
- 4 Casters with 2 brakes
- Double-Layer tempered glass
- Night Curtain
- Air-Cooled Refrigeration
- Automatic Defrost
- Filter at the bottom of front air outlet
- Adjustable Shelves
- Maintenance-free condenser
- Automatic condensate treatment



Digital Controller



Adjustable shelf





LED Lights

** Due to continuous product improvement, specifications are subject to change without notice.

BakeMax® / Titan Ventures International Inc.

Warehouses:

270 Baig Blvd, Moncton, NB, E1E1C8 
1605 Crescent Circle, Dallas, TX 75006 

Toll Free: 1-800-565-BAKE (2253)

Phone: 506-858-8990

Fax: 506- 859-6929

Email: Sales@BakeMax.com

BakeMax BMGG036 Refrigerated Display Case



CONDENSER LOCATED ON THE BACK, ENSURES SUFFICIENT SPACE FOR AIR COOLING



CONDENSER FAN MOTOR BUILT IN FRONT FOR EASY ACCESS

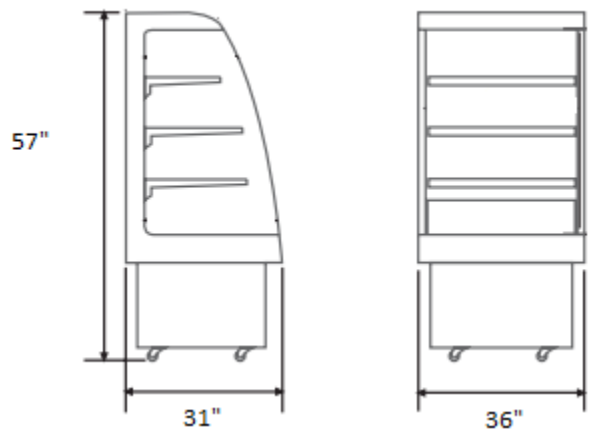


EQUIPPED WITH DIGITAL DISPLAY, HIDDEN CASTERS & TWO ADJUSTABLE FEET





REMOVABLE FILTER NET MAKES CLEANING EASY

MODEL	BMGG036
Capacity(L)	390L
Temperature Range	2-10°C/36-50°F
Rated Input Power(W)	1340/1300
Refrigerant	R404a/R290
Type of Climate	6
Net Weight	270lb
Packaged Weight	315lb
Overall Dimension (WDH)	36" x 31" x 57"
Package Dimension (WDH)	39" x 34" x 63"
Electrical	115V/1 Phase 11.6A/1260W NEMA 5-15 Plug
No. of Shelves	3



BakeMax[®] / Titan Ventures International Inc.

Warehouses:

270 Baig Blvd, Moncton, NB, E1E1C8 
1605 Crescent Circle, Dallas, TX 75006 

Toll Free: 1-800-565-BAKE (2253)

Phone: 506-858-8990

Fax: 506-859-6929

Email: Sales@BakeMax.com