



America

www.BakeMax.com

Project: _____

Item: _____

Qty: _____ Date: _____

BakeMax America BAS36-12 – Range Combo with Manual Griddle

The BakeMax America BAS36-12 – 2 Burner Gas Range w/ 24” Manual Griddle is designed to provide the ultimate in performance and durability. Allowing you to roast and cook a wide range of meals, with efficiency, convenience at an affordable price.



Features:

GRIDDLE

- Stainless Steel panel and sides
- 14” guage polished stainless steel plate
- 3/4” thick polished carbon steel working griddle plate.
- Fully welded griddle plate.
- Enamelled burners placed every 12”, providing uniformity when operating.
- Accessible pilots through front panel.
- Easily removable stainless steel griddle grease trap.
- One year limited parts and labor warranty

RANGE

- Stainless Steel panel and sides.
- 12”x12” cast iron top grates designed for easy movement of pots across top sections.
- Deflectors to direct waste to crumb/drip pan.
- Large front panel, promoting safety and great functionality.
- Black paint injected aluminum knobs providing for better toughness and durability.
- Easily removable stainless steel crumb/drip pan.
- One year limited parts and labor warranty

OVEN



- Oven with snap action thermostat from 210°F to 550°F and 100% safety shut off.
- 26.5” Standard Bakery depth on all ovens.
- Double Sided enamel oven cavity.
- Heavy-duty oven wired rack – 1/8” diameter.
- Counterweight balanced doors
- One year limited parts and labor warranty



** Due to continuous product improvement, specifications are subject to change without notice.

BakeMax ® / Titan Ventures International Inc.

Warehouses:

270 Baig Blvd, Suite A3, Moncton, NB E1E1C8 
1605 Crescent Cr Carrollton, TX, Dallas, TX 75006 

Toll Free: 1-800-565-BAKE (2253)

Phone: 506-858-8990

Fax: 506- 859-6929

Email: Sales@BakeMax.com

BakeMax America BAS36-12 – Range Combo with Manual Griddle

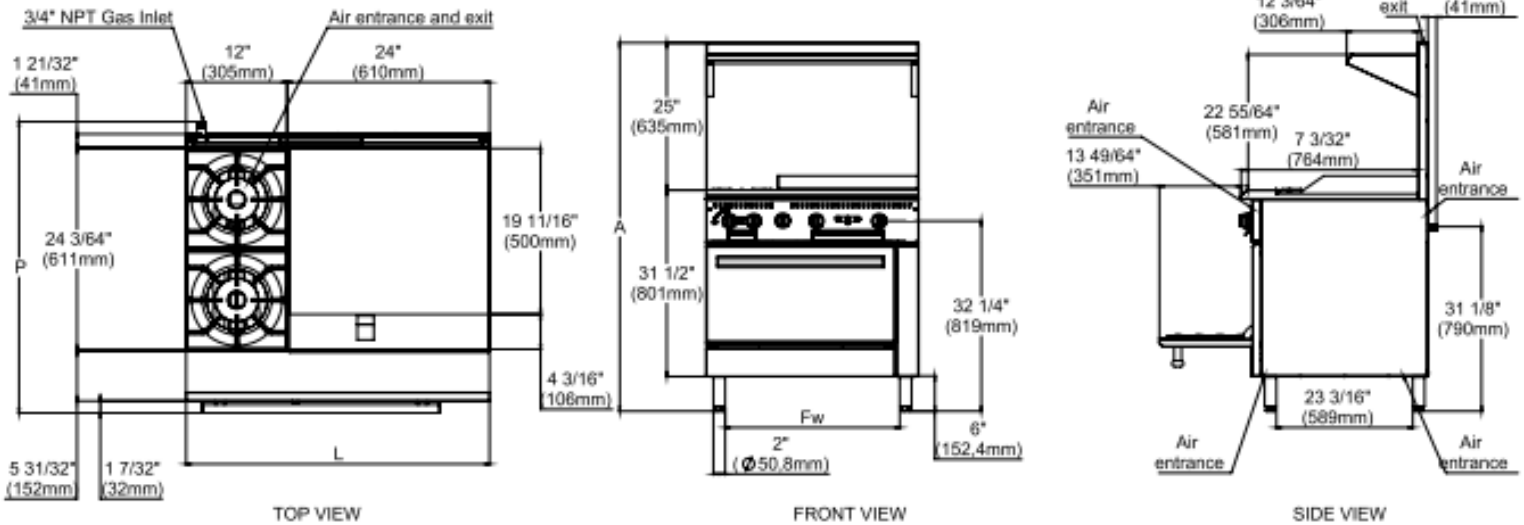
Technical Specifications & Drawings

Models		Burners	GAS SUPPLY				Manifold Pressure	
			Propane		Natural			
			kcal/h	BTU/h	kcal/h	BTU/h	Natural Gas	Propane Gas
BAS36-12	Range 12"	2	12,600	25,000	12,600	25,000	4" W.C	10" W.C
	Griddle 24"	2	15,121	60,000	15,121	60,000		
	Oven 36"	1	8,315	33,000	8,820	35,000		

***Warning:** The minimum supply pressure on this appliance must be set at 4 water column inches for natural gas and 10 water column for propane gas. Each unit has a 3/4" gas connect at the rear of the appliance.

Shipping Information

Model	Net Weight lbs/kg	Crated Weight lbs/kg	Crate Dimensions (D x W x H)
BAS36-12	418lbs/190kg	549lbs/248kg	41"X40"X53"



BakeMax[®] / Titan Ventures International Inc.

Warehouses:

270 Baig Blvd, Suite A3, Moncton, NB E1E1C8
 1605 Crescent Cr Carrollton, TX, Dallas, TX 75006

Toll Free: 1-800-565-BAKE (2253)

Phone: 506-858-8990

Fax: 506- 859-6929

Email: Sales@BakeMax.com