



www.BakeMax.com

Project: _____

Item: _____

Qty: _____ Date: _____

BakeMax BMFRS Series Floor Model Reversible Sheeter

The BakeMax BMFRS Series Floor Model Reversible Sheeters are perfect for Bakeries, Pastry Shops, Hotels, Restaurants and more. They are suitable for sheeting and stretching Puff Pastry, Danish Bread, Fondant, Donut Dough, Croissants, Pie Crusts, Cookie Dough, Strudel, Marzipan, and Pizza Dough.



Features:

- Constructed of Heavy-Duty Steel
- Safety Guards with Shut-Off Switch When Lifted
- Easy to use Forward and Reverse Controls
- Adjustable Thickness from 3mm-50 mm
- Overload Protection for Motor
- Foldable Sides
- Stainless Steel Rollers
- Heavy Duty Non-Stick Scrapers
- Catch Pans located on each end of the sheeter
- Synchronized Infeed & Outfeed
- Plug & Go
- Limited 1-Year Warranty
- *Available in 220V by Request





Easily folds to save space when not in use

** Due to continuous product improvement, specifications are subject to change without notice.

BakeMax® / Titan Ventures International Inc.

Warehouses:

270 Baig Blvd, Suite A3, Moncton, NB E1E 1C8 
1605 Crescent Circle, Dallas, TX 75006 

Toll Free: 1-800-565-BAKE (2253)

Phone: 506-858-8990

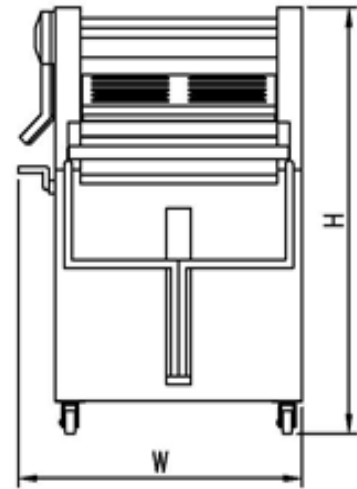
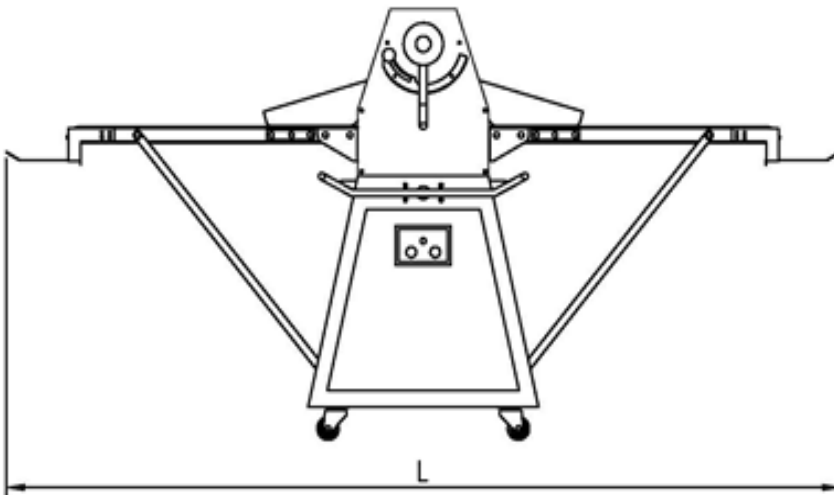
Fax: 506- 859-6929

Email: Sales@BakeMax.com

BakeMax BMFRS Series Floor Model Reversible Sheeter

Technical Specifications

Model	Exterior Dimensions (WDH)	Electrical	Nema Code	Net Weight
BMFRS01	32" x 83" x 44"	220v / 1Ph / 7.8A / 60HZ / 1HP	6-15P	344 lbs.
BMFRS02	36" x 83" x 44"	220v / 1Ph / 7.8A / 60HZ / 1HP	6-15P	388 lbs.
BMFRS03	40" x 99" x 44"	220v / 1Ph / 7.8A / 60HZ / 1HP	6-15P	476 lbs.



Model	Belt Dimensions	Roller Size
BMFRS01	17"W x 79"L	3.5" x 17.7"
BMFRS02	20.5"W x 79"L	3.5" x 20.5"
BMFRS03	25"W x 95"L	3.5" x 25.6"





Shipping Specifications

Model	Crated Dimensions (WDH)	Shipping Weight
BMFRS01	42" x 32" x 75"	455 lbs.
BMFRS02	42" x 32" x 75"	476 lbs.
BMFRS03	48" x 32" x 82"	557 lbs.

BakeMax[®] / Titan Ventures International Inc.

Warehouses:

270 Baig Blvd, Suite A3, Moncton, NB E1E 1C8 
 1605 Crescent Circle, Dallas, TX 75006 

Toll Free: 1-800-565-BAKE (2253)

Phone: 506-858-8990

Fax: 506- 859-6929

Email: Sales@BakeMax.com