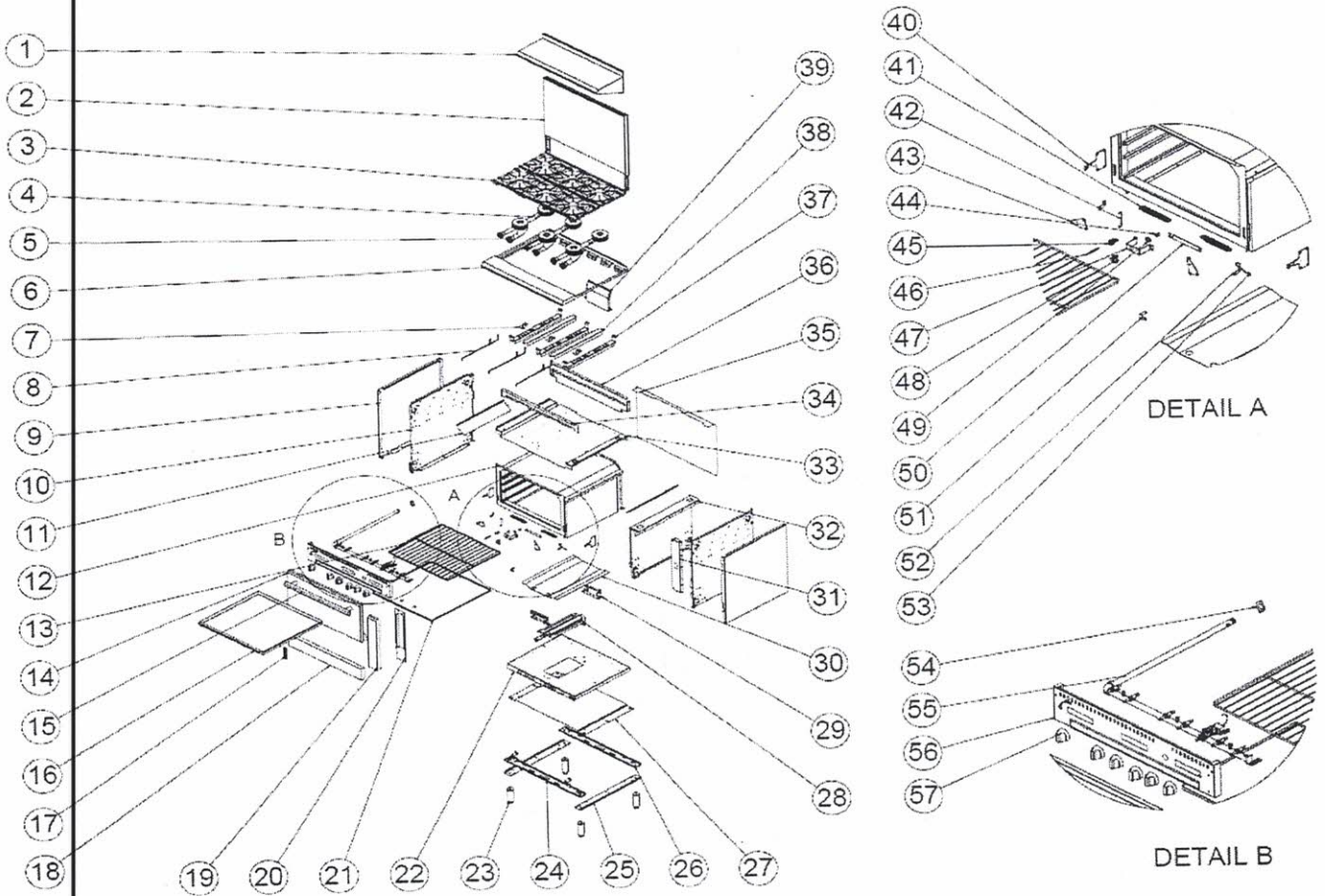




# BAS SERIES OVEN RANGE

## MODELS

BAS240  
BAS360



© BakeMax (TVI) 2022  
270 Baig Blvd, Suite A3  
Moncton, NB., E1E1C8

Service@BakeMax.com

1-800-565-2253 ext. 103

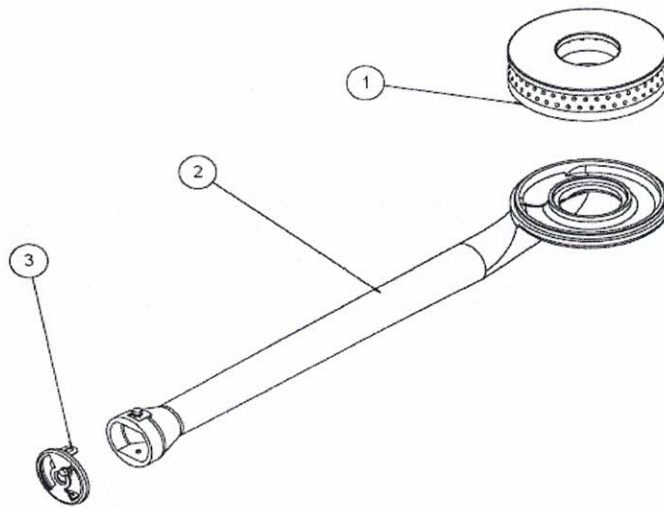
#	DESCRIPTION	COMPANY	MODEL	CODE
1	SHELVE	ALL	PRO24G-ST	8.01.53.00000395
			PRO36G-ST	8.01.53.00000345
2	BACK GUARD ASSEMBLY	ALL	PRO24G-ST	8.01.53.00029700
			PRO36G-ST	8.01.53.00028100
3	TOP GRATE FOR RANGES	ALL	ALL	8.01.25.00000110
4	BACK BURNER ASSEMBLY FOR RESTAURANT RANGES	ALL	ALL	8.01.52.00061200
5	FRONT BURNER ASSEMBLY FOR RESTAURANT RANGES	ALL	ALL	8.01.52.00061100
6	TOP FRAME ASSEMBLY	ALL	PRO24G-ST	8.01.53.00029500
			PRO36G-ST	8.01.53.00027400
7	LARGER BURNER SUPPORT	ALL	ALL	8.01.53.00000007
8	PILOT TUBE ASSEMBLY RESTAURANT/PRIME	ALL	ALL	8.01.52.00014500
9	EXTERNAL SIDE	ALL	ALL	8.01.53.00000360
10	BOTTOM / SIDE	ALL	ALL	8.01.53.00000361
11	SIDE DEFLECTOR	ALL	ALL	8.01.53.00000008
12	OVEN ASSEMBLY	ALL	PRO24G-ST	8.01.53.00028900
			PRO36G-ST	8.01.53.00030500
13	OVEN GRATE	ALL	PRO24G-ST	4.01.53.00000002
			PRO36G-ST	4.01.53.00000003
14	OVEN DOOR HANDLE ASSEMBLY	ALL	PRO24G-ST	8.01.53.00029400
			PRO36G-ST	8.01.53.00028600
15	DOOR ASSEMBLY	ALL	PRO24G-ST	8.01.53.00029200
			PRO36G-ST	8.01.53.00027700
16	STOVE 36"GREASE TRAP	ALL	ALL	8.01.53.00000357
17	VENANCIO LOGO	ALL	ALL	2.90.02.00012033
18	PANEL ASSEMBLY	ALL	PRO24G-ST	8.01.53.00029100
			PRO36G-ST	8.01.53.00027900
19	SIDE PANEL	ALL	PRO36G-ST	8.01.53.00000368
20	SIDE FRAME	ALL	ALL	8.01.53.00000692
21	OVEN INTERNAL BOTTOM	ALL	PRO24G-ST	8.01.53.00000392
			PRO36G-ST	8.01.53.00000348
22	BURNER BOTTOM BASE	ALL	PRO24G-ST	8.01.53.00000390
			PRO36G-ST	8.01.53.00000355
23	LEGS 6"	ALL	ALL	8.01.52.00007600
24	BOTTOM FRONT REINFORCEMENT ASSEMBLY	ALL	PRO24G-ST	8.01.53.00029600
			PRO36G-ST	8.01.53.00027600
25	PRODUCT SIDE BASE	ALL	ALL	8.01.53.00000347
26	PRODUCT BASE	ALL	PRO24G-ST	8.01.53.00000370
			PRO36G-ST	8.01.53.00000346
27	BOTTOM CENTRAL BASE	ALL	PRO24G-ST	8.01.53.00000371
			PRO36G-ST	8.01.53.00000354
28	BURNER ASSEMBLY FOR OVEN R/G	ALL	ALL	8.01.52.00099100
29	DEFLECTOR BRACKET	ALL	ALL	8.01.53.00000349
30	OVEN BURNER DEFLECTOR	ALL	ALL	8.01.53.00000353
31	EXTERNAL ISOLATION COVER	ALL	PRO36G-ST	8.01.53.00000337
32	SIDE BASE	ALL	PRO36G-ST	8.01.53.00000350
33	STOVE BOTTOM	ALL	PRO24G-ST	8.01.53.00000391
			PRO36G-ST	8.01.53.00000359
34	INTERNAL FRONT	ALL	PRO24G-ST	8.01.53.00000016
			PRO36G-ST	8.01.53.00000023
35	EXTERNAL BACK	ALL	PRO24G-ST	8.01.53.00000388
			PRO36G-ST	8.01.53.00000367
36	INTERNAL BACK	ALL	PRO24G-ST	8.01.53.00000017
			PRO36G-ST	8.01.53.00000022
37	BURNER SUPPORT	ALL	ALL	8.01.53.00000005
38	GRATE SUPPORT	ALL	ALL	8.01.53.00000006



39	OVEN CHIMNEY ASSEMBLY	ALL	ALL	8.01.53.00027800
40	DOOR SUPPORT	ALL	ALL	8.01.53.00000362
41	SPRING 3,5 X 21 X 157	ALL	PRO24G-ST	4.02.05.38241750
	SPRING 3,8 X 24 X 175		PRO36G-ST	4.02.05.38241750
42	LEFT SPRING HOOK	ALL	ALL	4.02.05.00012857
43	SPRING ACTIVATOR	ALL	ALL	8.01.38.00070002
44	ORIFICE GN #37 (2,64mm)	ALL	PRO24G-ST	8.27.05.04826164
	ORIFICE LP #52 (1,61mm)			8.27.05.04826161
	ORIFICE GN #33 (2,85mm)		PRO36G-ST	8.27.05.04826285
	ORIFICE LP #51 (1,70mm)			8.27.05.04826170
45	PILOT 2CH-1-PILOT 18N 3/16"	ALL	ALL	3.97.01.00000502
46	VALVE THERMOCOUPLE	ALL	ALL	8.97.01.00000027
47	OVEN ORIFICE SUPPORT	ALL	ALL	8.01.25.00000113
48	ELBOW 9/16" UNEF X 3/4" X 3/8" 27 F/P	ALL	ALL	2.80.12.00009045
49	NUT 1" x 8MM x 3/4" UNF	ALL	ALL	8.02.06.00004550
50	OVEN SPRING EXTENDER	ALL	PRO24G-ST	8.01.53.00000389
			PRO36G-ST	8.01.53.00000369
51	FLEX TUBING PROTECTION	ALL	PRO36G-ST	8.01.53.00000396
52	MOVING PANEL ASSEMBLY	ALL	ALL	8.01.53.00000363
53	RIGHT SPRING HOOK	ALL	ALL	4.02.05.00012858
54	GAS TUBE BACK BRACKET	ALL	ALL	8.01.52.00000632
55	DISTRIBUTION TUBE ASSEMBLY	ALL	PRO24G-ST	8.01.53.00029800
			PRO36G-ST	8.01.53.00027500
64	PRODUCT PANEL	ALL	PRO24G-ST	8.01.53.00000394
			PRO36G-ST	8.01.53.00000358
65	KNOBS PRIME SERIES VENANCIO	ALL	ALL	8.01.53.00001900
---	POLYCARBONATE SCALE °F PRIME SERIES	ALL	ALL	2.90.03.00000138

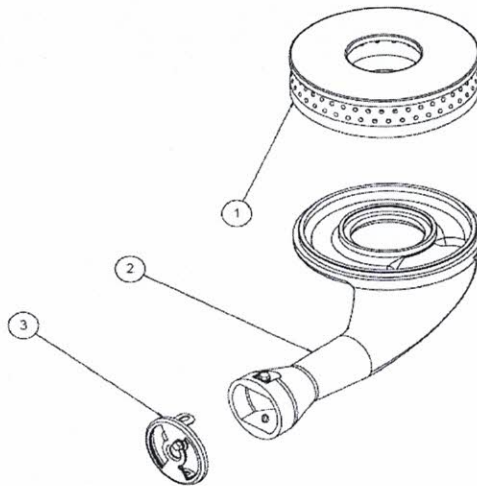
Standard Oven Range Line (Prime Series)  
24" - 36"

**BACK BURNER ASSEMBLY FOR RESTAURANT RANGES – Number 4**



#	DESCRIPTION	COMPANY	MODEL	CODE
1	TOP BURNER	ALL	ALL	8.01.52.00000693
2	BURNER BASE	ALL	ALL	8.01.52.00000130
3	AIR REGULATOR	ALL	ALL	8.01.52.00007500

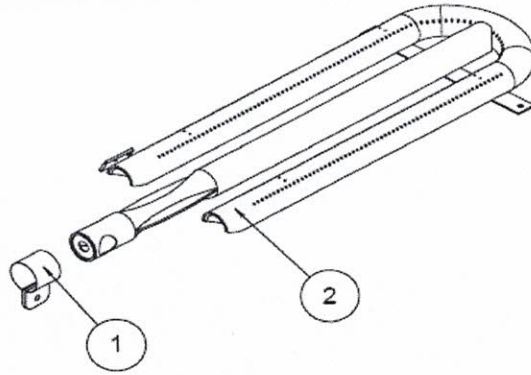
**FRONT BURNER ASSEMBLY FOR RESTAURANT RANGES – Number 5**



#	DESCRIPTION	COMPANY	MODEL	CODE
1	TOP BURNER	ALL	ALL	8.01.52.00000693
2	BURNER BASE	ALL	ALL	8.01.52.00000131
3	AIR REGULATOR	ALL	ALL	8.01.52.00007500

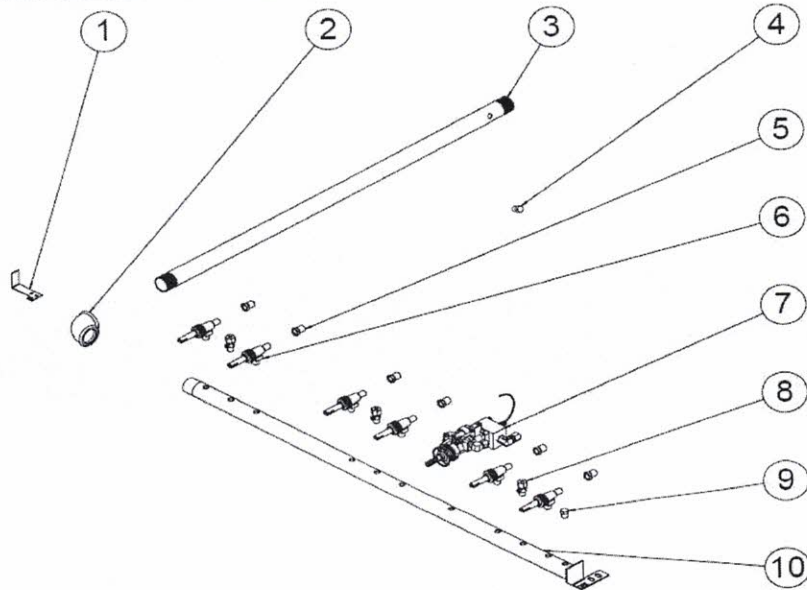
Standard Oven Range Line (Prime Series)  
24" - 36"

**BURNER ASSEMBLY FOR OVEN R/G – Number 28**



#	DESCRIPTION	COMPANY	MODEL	CODE
1	AIR REGULATOR	ALL	ALL	8.01.52.00062500
2	BURNER OVEN	ALL	ALL	8.01.27.00000020

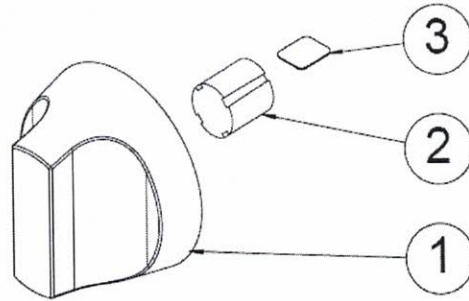
**GAS DISTRIBUTION TUBE ASSEMBLY – Number 55**



#	DESCRIPTION	COMPANY	MODEL	CODE
1	GAS ENTRY TUBE BRACKET	ALL	ALL	8.01.53.00000152
2	3/4" MCD 90 DEGREE FEMALE ELBOW	ALL	ALL	2.80.12.00003425
3	STOVE GAS ENTRY TUBE	ALL	ALL	8.01.52.00000144
4	1/4" NPT HEAD PLUG	ALL	ALL	8.27.05.00009794
5	ORIFICE GN #40 (2,49mm)	ALL	ALL	8.27.05.04826249
	ORIFICE LP #53 (1,51mm)			8.27.05.04826151
6	A18-318 GAS SAFETY VALVE	ALL	ALL	3.97.01.00000500
7	ABJC REV C FDB/PRIME GAS SAFETY VALVE	ALL	ALL	8.97.01.00057579
--	ABJC GAS SECURITY GAS FDB/PRIME AND B1H2 THERMOCOUPLE 1500MM	ALL	ALL	8.01.53.00100680
8	CUTTING PILOT VALVE (GAS FLAME REG)	ALL	ALL	3.97.01.00000501
9	1/8" NPT CAP	ALL	ALL	8.27.05.00009219
10	DISTRIBUTION TUBE	ALL	PRO24G-ST	8.01.53.00029800
			PRO36G-ST	8.01.53.00027500

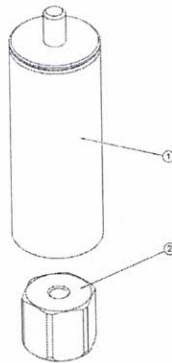
Standard Oven Range Line (Prime Series)  
24" - 36"

**KNOB ASSEMBLY – Number 57**



#	DESCRIPTION	COMPANY	MODEL	CODE
1	ALUMINIUM KNOB PRIME	ALL	ALL	8.06.18.00000500
2	NYLON BUSHING	ALL	ALL	2.80.05.00000001
3	KNOB LOCK	ALL	ALL	8.01.25.00000064

**LEGS 6" – Number 23**



#	DESCRIPTION	COMPANY	MODEL	CODE
1	6" LEG	ALL	ALL	8.01.52.00007700
2	6" LEG ADJUSTER	ALL	ALL	8.01.52.00000023

Convactor Oven Range Line (Prime Series)  
36"