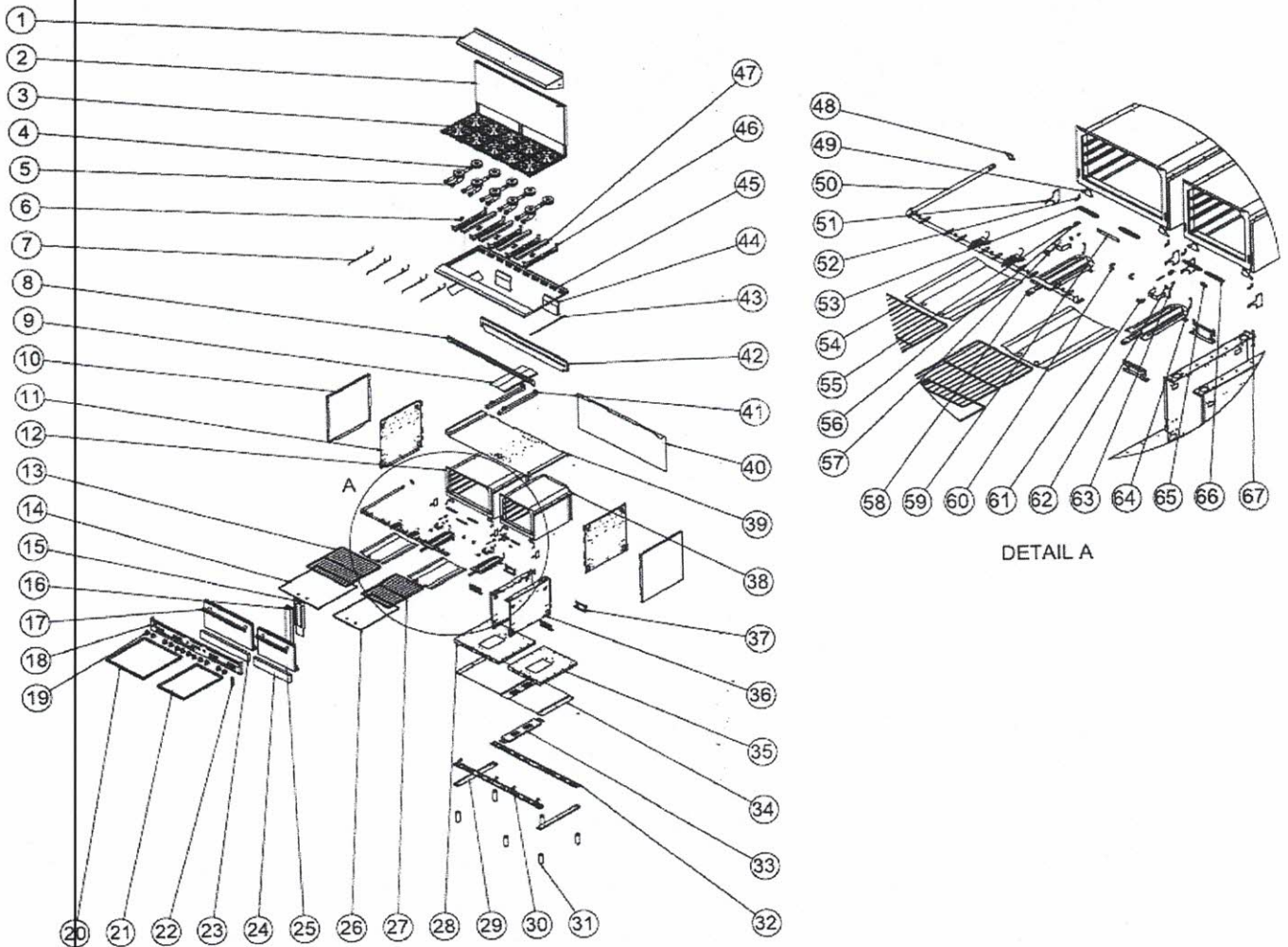




BAS600 TEN BURNER GAS RANGE

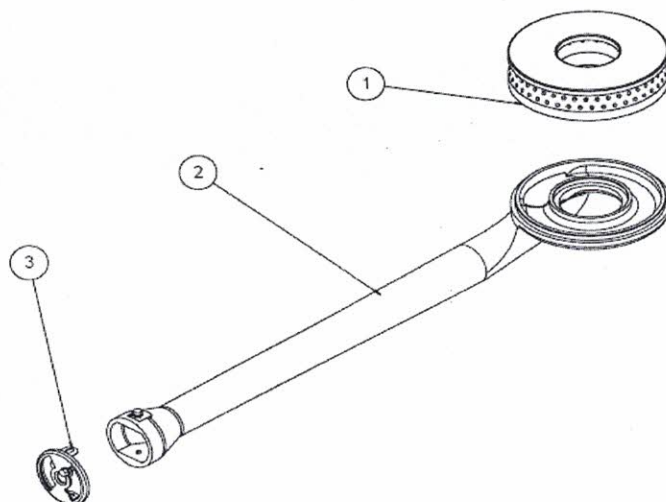


© BakeMax (TVI) 2022
270 Baig Blvd, Suite A3
Moncton, NB., E1E1C8

#	DESCRIPTION	COMPANY	MODEL	CODE
1	SHELVE	ALL	ALL	8.01.53.00030200
2	BACK GUARD ASSEMBLY 60"	ALL	ALL	8.01.53.00030100
3	TOP GRATE FOR RANGES	ALL	ALL	8.01.25.00000110
4	BACK BURNER ASSEMBLY FOR RESTAURANT RANGES	ALL	ALL	8.01.52.00061200
5	FRONT BURNER ASSEMBLY FOR RESTAURANT RANGES	ALL	ALL	8.01.52.00061100
6	LARGER BURNER SUPPORT	ALL	ALL	8.01.53.00000007
7	PILOT TUBE ASSEMBLY RESTAURANT/PRIME	ALL	ALL	8.01.52.00014500
8	INTERNAL FRONT	ALL	ALL	8.01.53.00000138
9	CENTRAL DEFLECTOR	ALL	ALL	8.01.53.00000434
10	EXTERNAL SIDE	ALL	ALL	8.01.53.00000360
11	INTERMEDIATE SIDE	ALL	ALL	8.01.53.00000361
12	OVEN ASSEMBLY	ALL	PRO24G-ST	8.01.53.00028900
13	OVEN GRATE 36"	ALL	ALL	4.01.53.00000002
14	OVEN INTERNAL BOTTOM	ALL	ALL	8.01.53.00000348
15	CENTRAL MIRROR	ALL	ALL	8.01.53.00000424
16	CENTRAL PANEL	ALL	ALL	8.01.53.00000439
17	OVEN DOOR HANDLE ASSEMBLY	ALL	PRO24G-ST	8.01.53.00029400
			PRO36G-ST	8.01.53.00028600
18	PANEL	ALL	PFI60G-ST	8.01.53.00000431
19	KNOBS PRIME SERIES VENANCIO	ALL	ALL	8.01.53.00001900
20	GREASE TRAP 36"	ALL	ALL	8.01.53.00000435
21	GREASE TRAP 24"	ALL	ALL	8.01.53.00000436
22	VENANCIO LOGO	ALL	ALL	2.90.02.00012033
23	MOVING PANEL ASSEMBLY 36"	ALL	ALL	8.01.53.00027900
24	MOVING PANEL ASSEMBLY 24"	ALL	ALL	8.01.53.00029100
25	DOOR ASSEMBLY	ALL	PRO24G-ST	8.01.53.00029200
			PRO36G-ST	8.01.53.00027700
26	OVEN INTERNAL BOTTOM	ALL	PRO24G-ST	8.01.53.00000392
27	OVEN GRATE 24"	ALL	PRO24G-ST	4.01.53.00000003
28	BURNER BOTTOM BASE	ALL	PRO36G-ST	8.01.53.00000355
29	PRODUCT SIDE BASE	ALL	ALL	8.01.53.00000347
30	FRONT BOTTOM REINFORCEMENT ASSEMBLY	ALL	ALL	8.01.53.00030000
31	LEGS 6"	ALL	ALL	8.01.52.00007600
32	PRODUCT BASE	ALL	ALL	8.01.53.00000399
33	CENTRAL LEG REINFORCEMENT	ALL	ALL	8.01.53.00000418
34	CENTRAL BOTTOM BASE	ALL	ALL	8.01.53.00000401
35	BURNER BOTTOM BASE	ALL	PRO24G-ST	8.01.53.00000390
36	CENTRAL SIDE	ALL	ALL	8.01.53.00000403
37	DEFLECTOR BRACKET	ALL	ALL	8.01.53.00000349
38	OVEN ASSEMBLY	ALL	PRO36G-ST	8.01.53.00030500
39	STOVE BOTTOM	ALL	ALL	8.01.53.00000397
40	EXTERNAL BACK	ALL	ALL	8.01.53.00000402
41	CENTRAL FRAME REINFORCEMENT ASSEMBLY	ALL	ALL	8.01.53.00031300
42	INTERNAL BACK	ALL	ALL	8.01.53.00000139
43	SIDE DEFLECTOR	ALL	ALL	8.01.53.00000008
44	FLUE ASSEMBLY	ALL	ALL	8.01.53.00027800
45	TOP FRAME ASSEMBLY	ALL	PFI60G-ST	8.01.53.00031000
46	BURNER SUPPORT	ALL	ALL	8.01.53.00000005
47	GRATE SUPPORT	ALL	ALL	8.01.53.00000006
48	GAS TUBE BACK BRACKET	ALL	ALL	8.01.52.00000632
49	SPRING ACTIVATOR	ALL	ALL	8.01.38.00070002
50	DISTRIBUTION TUBE ASSEMBLY	ALL	ALL	8.01.53.00031100
51	DOOR SUPPORT	ALL	ALL	8.01.53.00000362
52	MOVING PANEL BRACKET	ALL	ALL	8.01.53.00000363
53	SPRING 3,8 X 24 X 175	ALL	ALL	4.02.05.38241750

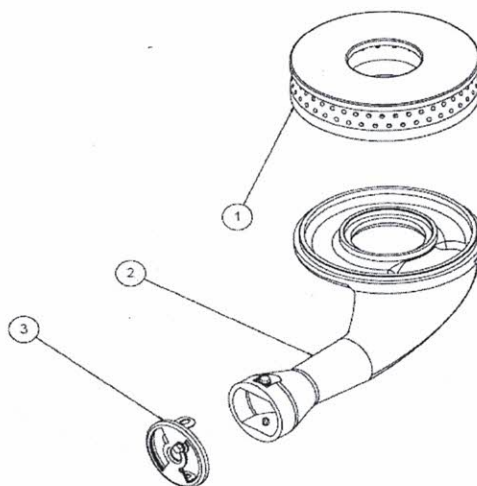
54	OVEN BURNER DEFLECTOR	ALL	ALL	8.01.53.00000353
55	THERMOSTATIC VALVE	ALL	ALL	8.97.01.00057580
56	2CH-1-PILOT	ALL	ALL	4.01.01.00048247
57	OVEN ORIFICE SUPPORT	ALL	ALL	8.01.25.00000113
58	BURNER ASSEMBLY FOR OVEN R/G	ALL	ALL	8.01.52.00099100
59	36" OVEN SPRING EXTENDER	ALL	ALL	8.01.53.00000369
60	FLEX TUBING PROTECTION	ALL	ALL	8.01.53.00000396
61	9/16" UNEF X 3/4" X 3/8" 27 F/P ELBOW	ALL	ALL	2.80.12.00009045
62	1" X 8mm x 3/4" UNF NUT	ALL	ALL	8.02.06.00004550
63	ORIFICE GN #40 (2,49mm)	ALL	ALL	8.27.05.04826249
	ORIFICE LP #53 (1,51mm)			8.27.05.04826151
64	RIGHT SPRING HOOK	ALL	ALL	4.02.05.00012858
65	24" OVEN SPRING EXTENDER	ALL	ALL	8.01.53.00000389
66	SPRING 3,5 X 21 X 157	ALL	ALL	4.02.05.00012853
67	LEFT SPRING HOOK	ALL	ALL	4.02.05.00012857
--	POLYCARBONATE SCALE °F PRIME SERIES	ALL	ALL	2.90.03.00000138

BACK BURNER ASSEMBLY FOR RESTAURANT RANGES – Number 4



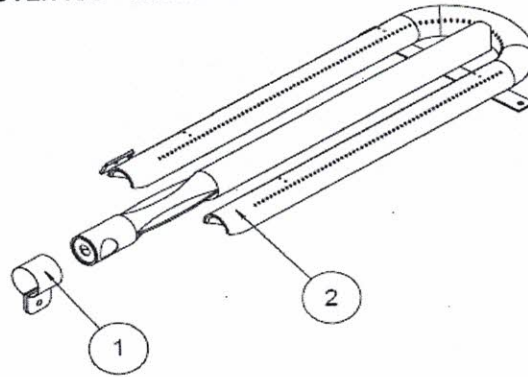
#	DESCRIPTION	COMPANY	MODEL	CODE
1	TOP BURNER	ALL	ALL	8.01.52.00000693
2	BURNER BASE	ALL	ALL	8.01.52.00000130
3	AIR REGULATOR	ALL	ALL	8.01.52.00007500

FRONT BURNER ASSEMBLY FOR RESTAURANT RANGES – Number 5



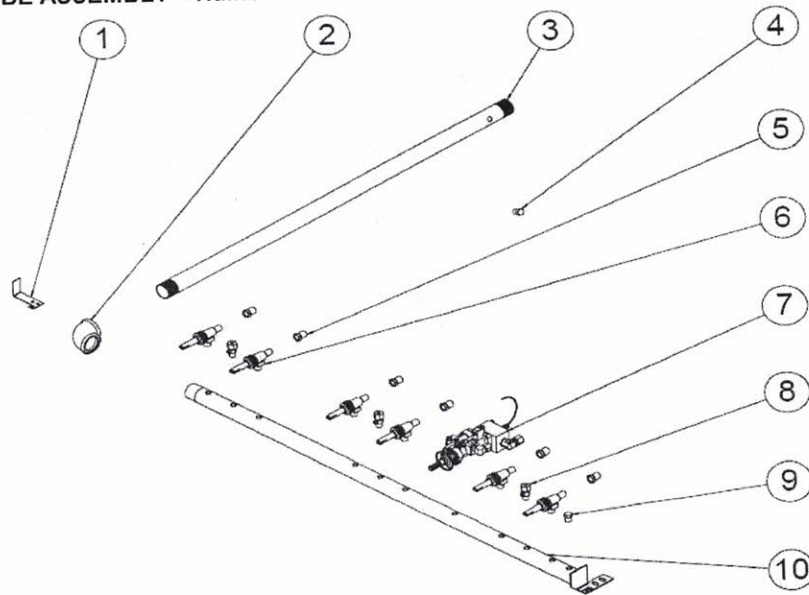
#	DESCRIPTION	COMPANY	MODEL	CODE
1	TOP BURNER	ALL	ALL	8.01.52.00000693
2	BURNER BASE	ALL	ALL	8.01.52.00000131
3	AIR REGULATOR	ALL	ALL	8.01.52.00007500

BURNER ASSEMBLY FOR OVEN R/G – Number 58



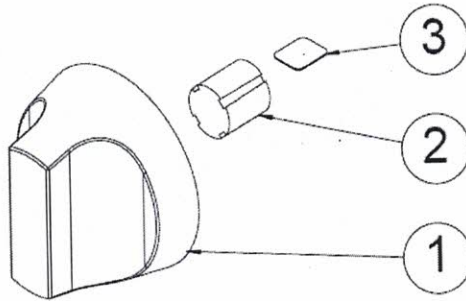
#	DESCRIPTION	COMPANY	MODEL	CODE
1	AIR REGULATOR	ALL	ALL	8.01.52.00062500
2	BURNER OVEN	ALL	ALL	8.01.27.00000020

GAS DISTRIBUTION TUBE ASSEMBLY – Number 50



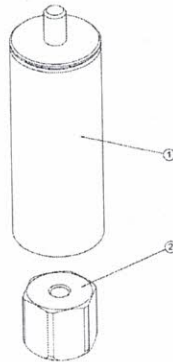
#	DESCRIPTION	COMPANY	MODEL	CODE
1	GAS ENTRY TUBE BRACKET	ALL	ALL	8.01.53.00000152
2	3/4" MCD 90 DEGREE FEMALE ELBOW	ALL	ALL	2.80.12.00003425
3	STOVE GAS ENTRY TUBE	ALL	ALL	8.01.52.00000144
4	1/4" NPT HEAD PLUG	ALL	ALL	8.27.05.00009794
5	ORIFICE LP #53 (1,51mm)	ALL	ALL	8.27.05.04826249
	ORIFICE GN #40 (2,49mm)			8.27.05.04826151
6	A18-318 GAS SAFETY VALVE	ALL	ALL	3.97.01.00000500
7	ABJC REV C FDB/PRIME GAS SAFETY VALVE	ALL	ALL	8.97.01.00057579
---	ABJC GAS SECURITY GAS FDB/PRIME AND B1H2 THERMOCOUPLE 1500MM	ALL	ALL	8.01.53.00100680
8	PILOT 2CH-1-PILOT 18N 3/16"	ALL	ALL	3.97.01.00000502
9	1/8" NPT CAP	ALL	ALL	8.27.05.00009219
10	DISTRIBUTION TUBE	ALL	PRO24G-ST	8.01.53.00029800
			PRO36G-ST	8.01.53.00027500

KNOB ASSEMBLY – Number 19



#	DESCRIPTION	COMPANY	MODEL	CODE
1	ALUMINIUM KNOB PRIME	ALL	ALL	8.06.18.00000500
2	NYLON BUSHING	ALL	ALL	2.80.05.00000001
3	KNOB LOCK	ALL	ALL	8.01.25.00000064

LEGS 6" – Number 31



#	DESCRIPTION	COMPANY	MODEL	CODE
1	6" LEG	ALL	ALL	8.01.52.00007700
2	6" LEG ADJUSTER	ALL	ALL	8.01.52.00000023