

REV	DATE	BY	DESCRIPTION	ECO #
H	1/8/2018	BCT	ADDED (4) 28010	1119
I	1-22-2020	MAS	REMOVE (8) 65986, (8) 16774, ADD (8) 64203, (8) 10823	1151
J	1-29-2020	MAS	REMOVE (4) 47466, ADD (4) 87619	
K	12-7-2021	MAS	REMOVE (1) 10958, (2) 10574, ADD (1) 10963, (1) 10664, (1) 11434, (1) 11431	
L	1-27-2022	MAS	REMOVED (1) 8610926 (1) 8607004, ADD (1) 8610925 (1) 8607003	

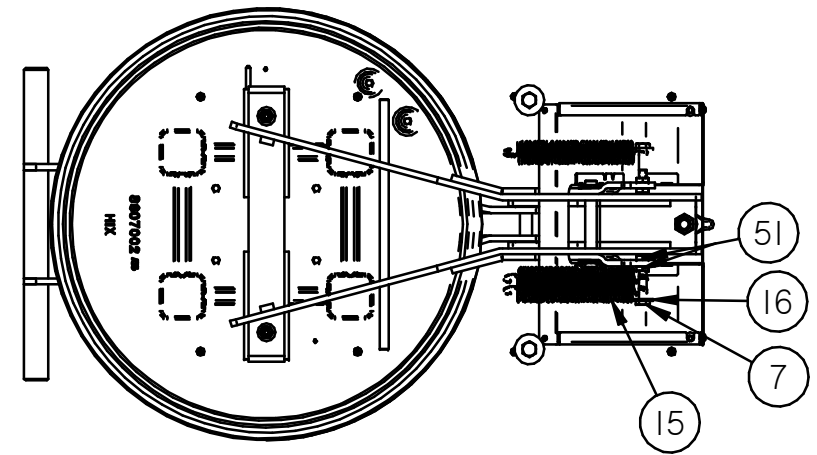
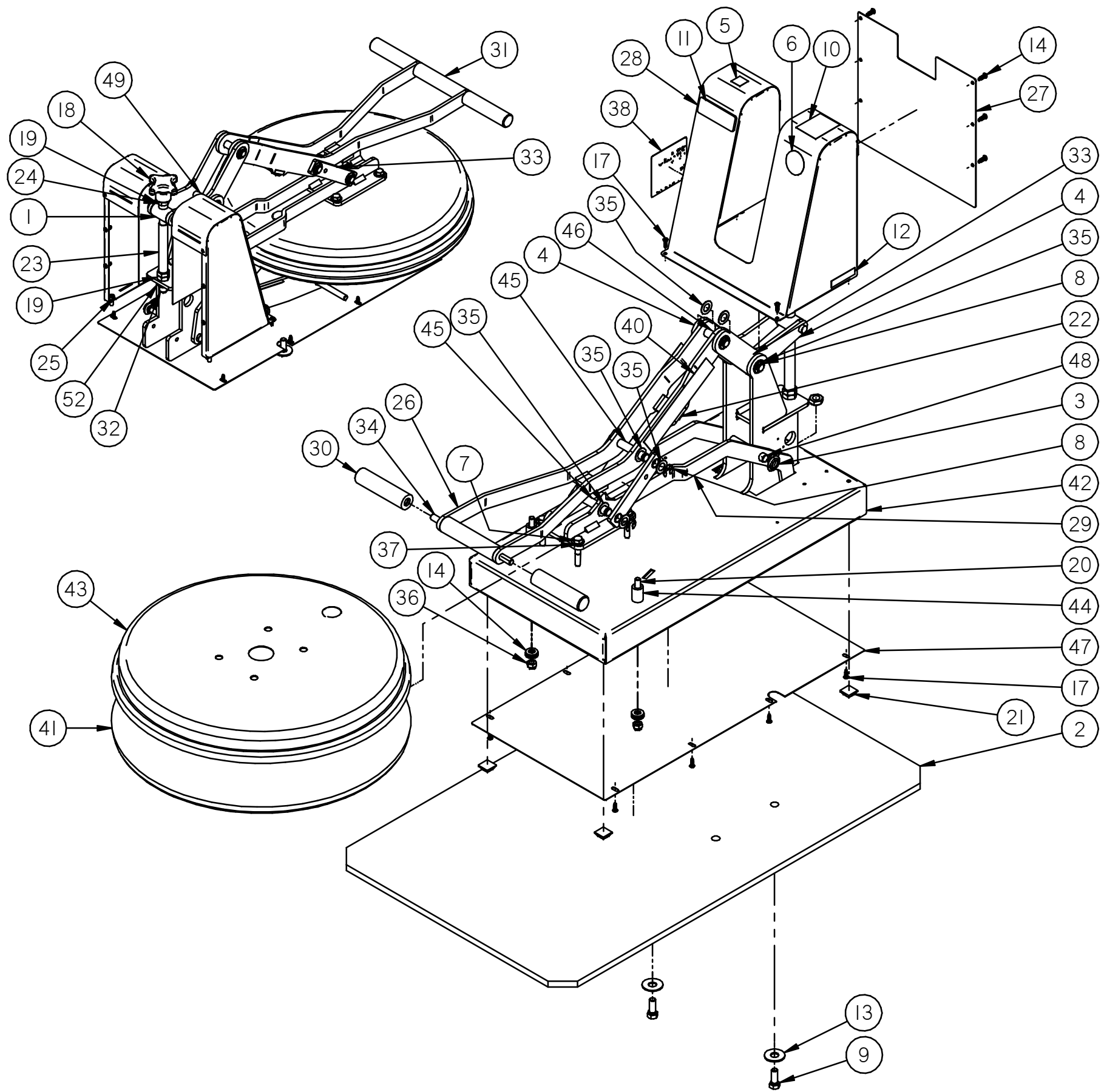
2	33	6105034	LINK ASSEMBLY WHITE				
1	32	6105005	HT400 PRESSURE ADJ ROD				
1	31	6101014	DM 18 HANDLE CENTER				
2	30	6101013	DM 18 HANDLE OUTER				
1	29	6100101	DM-18 MAIN ARM WELDMENT				
1	28	6001050	ASSY DM-18NH ENCLOSURE				
1	27	6001006	BACK COVER DMI8 WHITE				
1	26	6000140	DM-18 HANDLE WELDMENT				
2	25	50181	SCREW TAP 1/4-20x0.500 WHHX				
1	24	3801120	DMI8 PRESSURE ADJ SLEEVE TOP				
1	23	3801119	DMI8 PRESSURE ADJ SLEEVE BOT				
2	22	35408	BUMPER 1/8X1/2 SQ BLK RUBBER				
4	21	28010	BUMPON BLACK .81"x.30"				
2	20	25434	SCREW SET 5/16-18x3.000				
3	19	25151	NUT 1/2-20 JAM				
1	18	25143	KNOB PHENOLIC 1/2-20 4 ARM				
16	17	21482	SCREW TAP 8x0.500 PHPH				
2	16	16683	WASHER FLT .375x0.875x.078 ZPS				
3	15	15834	SPRING HIX #105				
12	14	12378	WASHER SPG STL .375x.750x.028				
REF	13	12229	WASHER FLT .500x1.250x.078 ZPS				
1	12	11434	DECAL, FOR SERVICE 2 X .5				
1	11	11431	DECAL, DOUGHXPRESS DOMED 3 X 1				
1	10	10963	DECAL, QR CODE DXP				
REF	9	10850	BOLT 3/8-16 X 1.000				
8	8	10823	RETAINING RING EXT 0.500 E SS				
6	7	10793	BOLT 5/16-18x1.750				
1	6	10664	DECAL MADE IN USA				
1	5	10550	DECAL THICK THIN				
2	4	10502	400/600 ROCKER LINK				
2	3	10345	NUT PUSH 1/2 PS500016-598				
REF	2	0101010	M-400/600/DM MOUNTING BOARD				
1	1	0100001	M-HT400 ADJUSTMENT BLOCK				
QTY.	ITEM #	PART #	Title	QTY.	ITEM #	PART #	Title

1	52	89078	NUT 1/2-20 JAM NYLON INSERT ZPS
4	51	87619	NUT 5/16-18 JAM
1	50*	8640502	TXM-20 / HT-400 E / DM-18 PACKAGING
1	49	8611808	DM-18 PIN 3
1	48	8611807	DM-18 PIN MAIN ARM
1	47	8611805	BOTTOM COVER ETL DP
1	46	8611802	DM-18 PIN 2
2	45	8611801	DM-18 PIN 1
2	44	8611009	DMI8 SPACER LOWER PLATEN
1	43	8610925	ASSY DM-18NH PLATEN
1	42	8610700	DM-18 BASE WELDMENT
1	41	8607003	CASTING DP 18" ROUND
2	40	71011	M-DECAL DOUGHXPRESS
1	39*	70600	MANUAL DM-18 NH
1	38	70268	DECAL HIX I.D. 3" X 3" SILVER
4	37	69949	WASHER FLT .343x0.750x.050 SS
2	36	68594	NUT 5/16-18 NYLON INSERT ZPS
16	35	64203	WASHER FLT .515x0.875x.032 SS
2	34	63746	SCREW SET 3/8-16x1.750
QTY.	ITEM #	PART #	Title

NOTES:
1. ITEM # 70443.
2. REFERENCE MODEL 8610600.

70443 DM-18NH

HIX Corporation 1201 E 27th Terrace, Pittsburg, KS 66762 Phone (620) 231-8568 Fax (620) 231-1598 Email: mail@hixcorp.com www.hixcorp.com <small>This document and the information contained herein is the sole property of HIX Corporation. It will be held confidentially and may not be disclosed to third parties for any reason without prior written consent of HIX Corporation (Copyright 2005)</small>		TITLE ASSY, DM-18NH	
		DWG NO 8610600	REV L
Tolerance Unless Noted 0 +/- .060 .00 +/- .030 .000 +/- .010 FRACTION +/- 1/32 ANGLES +/- 1 DEGREE		Drawn MSCHULTZ Checked Date 7/13/2017	Project DM-18NH
DO NOT SCALE		SIZE B	SHEET 1 OF 2



70443 DM-18NH	HIX Corporation 1201 E 27th Terrace, Pittsburg, KS 66762 Phone (620) 231-8568 Fax (620) 231-1598 Email: mail@hixcorp.com www.hixcorp.com <small>This document and the information contained herein is the sole property of HIX Corporation. It will be held confidentially and may not be disclosed to third parties for any reason without prior written consent of HIX Corporation (Copyright 2005)</small>		TITLE ASSY, DM-18NH		
	Tolerance Unless Noted 0 +/- .060 .00 +/- .030 .000 +/- .010 FRACTION +/- 1/32 ANGLES +/- 1 DEGREE		Drawn MSCHULTZ Checked	Date 7/13/2017 Date	DWG NO 8610600 REV L
	DO NOT SCALE		Project DM-18NH		
			SIZE B	SHEET 2 OF 2	