



www.BakeMax.com

Project: _____

Item: _____

Qty: _____ Date: _____

BakeMax BMDN1512R4 4-Burner Gas Shawarma Machine

Achieve authentic results with precision grilling and slicing. Designed for Mediterranean restaurants, kebab establishments, and mobile food vendors, our robust and customizable equipment ensures efficient preparation of tender, flavorful shawarma and doner kebabs. Deliver exceptional quality that consistently satisfies your customers.



Features:

- Constructed Completely of Heavy-Duty, Hygienic & Easy-to-Clean Stainless-Steel
- Able to work in either Natural Gas or LP Gas
- Easy to Use Ignitor to Quickly Light Burners
- Create delicious strips of meat for your gyros or shawarmas
- Four Independently controlled burners providing a total of 31,391 BTU (NG) or 34,802 BTU (LPG) of heating power
- Spit length is 28" / 713mm
- Large base provides a strong and reliable support
- Rocker Switch to Change Direction of Spit
- Sliding bottom housing of the spear allows the shawarma meat to get closer to the burner
- Large Easy-to-Remove Grease / Oil Drip Container for Easy Clean-Up
- 2-Year Limited Warranty

Product Specifications:

- Dimensions (WDH): 20" x 24.5" x 40"
- Weight: 92 lbs.

Product Specifications:

- Dimensions (WDH): 22" x 27" x 42"
- Weight: 95lbs.

Electrical Specifications:

- 110V / 60Hz / Plug & Go Nema 5-15P



*Due to continuous product improvement, specifications are subject to change without notice.

BakeMax® / Titan Ventures International Inc.

Warehouses:

20 Caribou St, Moncton, NB E1H 0P3
5705 Valley Belt Rd Independence, OH 44131
1201 E 27th Terrace Pittsburg, KS 66762

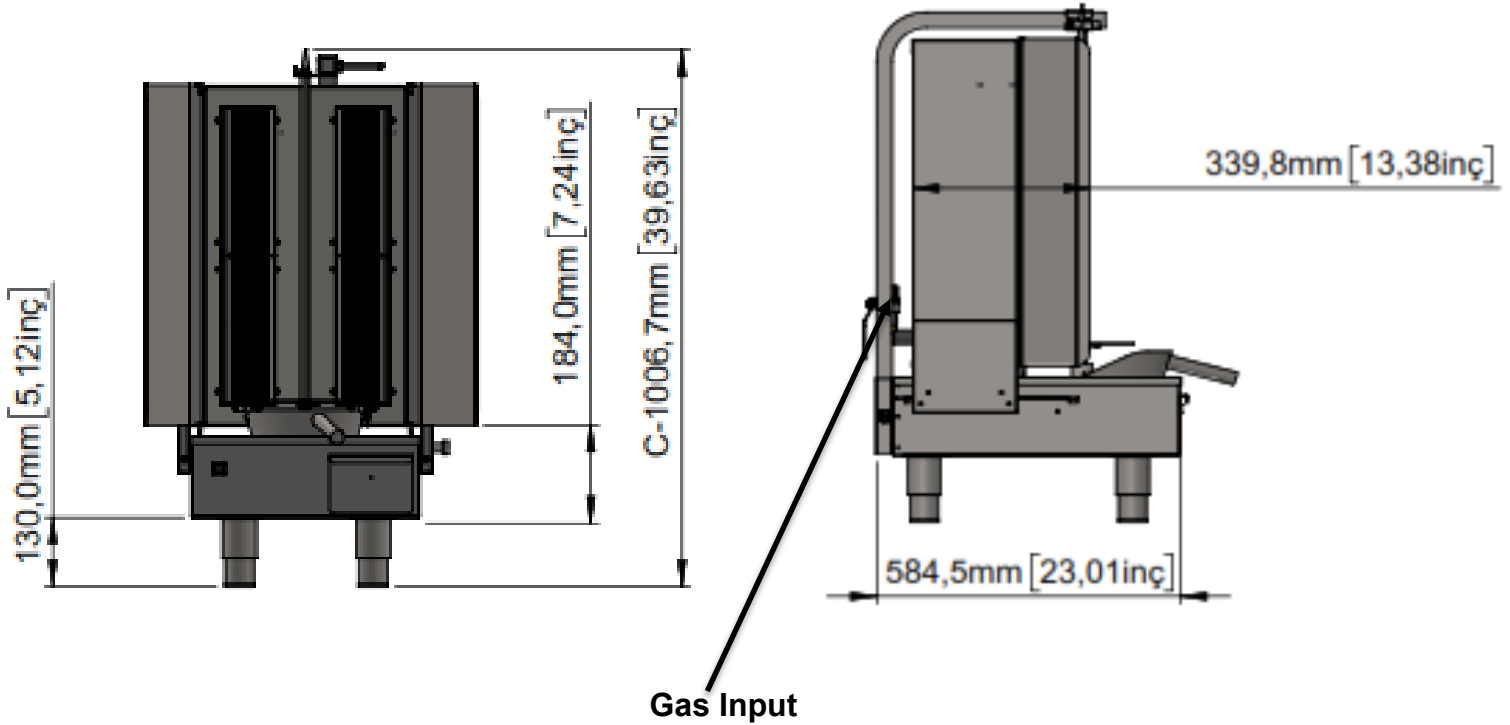
Toll Free: 1-800-565-BAKE (2253)

Phone: 506-858-8990

Fax: 506- 859-6929

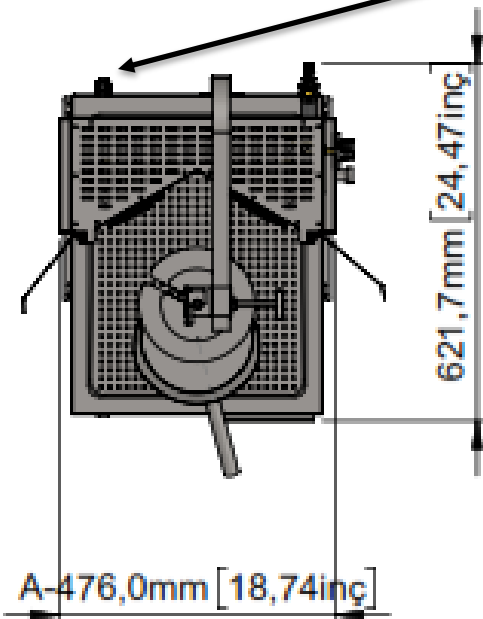
Email: Sales@BakeMax.com

BakeMax BMDN1512R4 4-Burner Gas Shawarma Machine



Gas Input

Electrical Input






REQUIRED CLEARANCES

	FLAMMABLE	FIREPROOF
GROUND	N/A	6"
SIDES	N/A	12"
BACK	N/A	3"

BakeMax[®] / Titan Ventures International Inc.

Warehouses:

20 Caribou St, Moncton, NB E1H 0P3 
 5705 Valley Belt Rd Independence, OH 44131 
 1201 E 27th Terrace Pittsburg, KS 66762 

Toll Free: 1-800-565-BAKE (2253)

Phone: 506-858-8990

Fax: 506- 859-6929

Email: Sales@BakeMax.com