



www.BakeMax.com

Project: \_\_\_\_\_

Item: \_\_\_\_\_

Qty: \_\_\_\_\_ Date: \_\_\_\_\_

## BakeMax BMDN1522R4 4-Burner Gas Shawarma Machine

Achieve authentic results with precision grilling and slicing. Designed for Mediterranean restaurants, kebab establishments, and mobile food vendors, our robust and customizable equipment ensures efficient preparation of tender, flavorful shawarma and doner kebabs. Deliver exceptional quality that consistently satisfies your customers.



### Features:

- Constructed of Heavy-Duty, Hygienic & Easy-to-Clean Stainless-Steel
- Able to work in either Natural Gas or LP Gas
- Easy to Use Ignitor to Quickly Light Burners
- Create delicious strips of meat for your gyros or shawarmas
- Four Independently controlled burners providing a total of 46,405 BTU (NG) or 51,180 BTU (LPG) of heating power
- Spit Length is 33.5" / 853mm
- Large base provides a strong and reliable support
- Rocker Switch to Change Direction of Spit
- Sliding bottom housing allows the shawarma meat to get closer to the burner
- Large Easy-to-Remove Grease / Oil Drip Container for Easy Clean-Up
- Includes Shovel to Catch Meat when Cutting
- 2-Year Limited Warranty

### Product Specifications:

- Dimensions (WDH): 20" x 25" x 46"
- Weight: 102 lbs.

### Shipping Specifications:

- Dimensions (WDH): 22" x 27" x 48"
- Weight: 115 lbs.

### Electrical Specifications:

- 115V / 60Hz / Plug & Go Nema 5-15P



\*Due to continuous product improvement, specifications are subject to change without notice.

**BakeMax® / Titan Ventures International Inc.**

### Warehouses:

20 Caribou St, Moncton, NB E1H 0P3   
5705 Valley Belt Rd Independence, OH 44131   
1201 E 27th Terrace Pittsburg, KS 66762

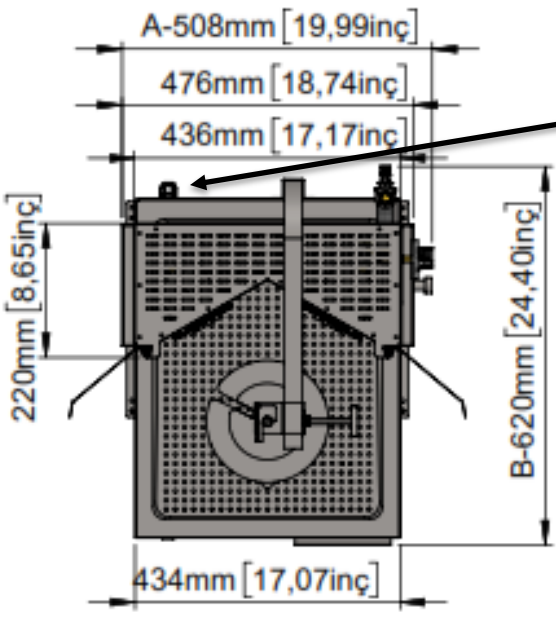
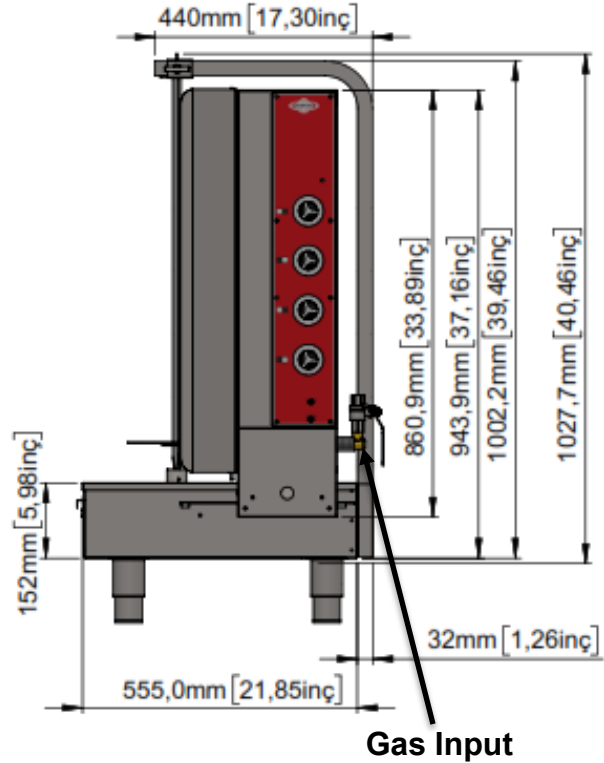
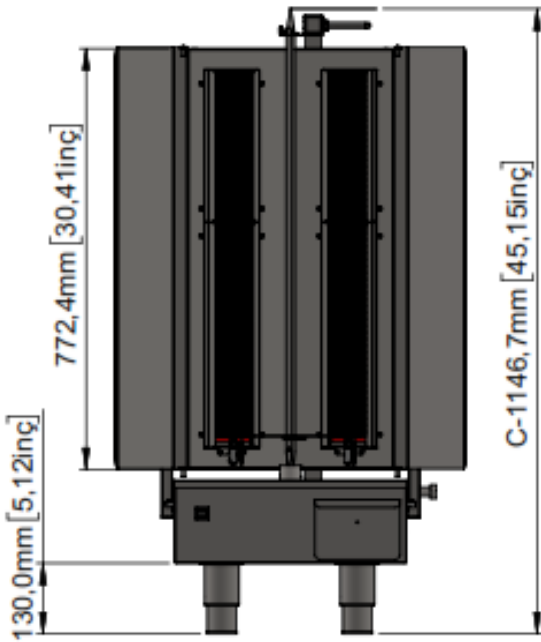
**Toll Free:** 1-800-565-BAKE (2253)

**Phone:** 506-858-8990

**Fax:** 506- 859-6929

**Email:** Sales@BakeMax.com

## BakeMax BMDN1522R4 4-Burner Gas Shawarma Machine






### REQUIRED CLEARANCES

	FLAMMABLE	FIREPROOF
<b>GROUND</b>	N/A	6"
<b>SIDES</b>	N/A	12"
<b>BACK</b>	N/A	3"

BakeMax® / Titan Ventures International Inc.

**Warehouses:**

20 Caribou St, Moncton, NB E1H 0P3   
 5705 Valley Belt Rd Independence, OH 44131   
 1201 E 27th Terrace Pittsburg, KS 66762 

Toll Free: 1-800-565-BAKE (2253)  
 Phone: 506-858-8990  
 Fax: 506- 859-6929  
 Email: Sales@BakeMax.com