



www.BakeMax.com

Project: _____

Item: _____

Qty: _____ Date: _____

BakeMax BMDN1703R Electric Shawarma Machine

Achieve authentic results with precision grilling and slicing with a BakeMax Shawarma Machine. Designed for Mediterranean restaurants, kebab establishments & mobile food vendors. Our robust and customizable equipment ensures efficient preparation of tender, flavorful shawarma and doner kebabs. Deliver exceptional quality that consistently satisfies your customers.



Features:

- Constructed of Heavy Duty Stainless-Steel
- Hygienic, Safe to use & Easy-to-Clean
- Ensures precise heat distribution for perfect gyros, doner kebab, shawarma, and al pastor.
- 180lbs. Meat Capacity
- Spit Length is 34" / 865mm
- Six Individually Controlled Fast-Heating Elements providing a total of 8100W of Power
- Large base provides a strong and reliable support
- Adjustable, Dual Directional Spit
- Sliding bottom housing allows you to get the shawarma meat to get closer to the burner
- Large Easy-to-Remove Oil Drip Container
- Includes Shovel to Catch Meat when Cutting
- Field Convertible to Single Phase
- 2-Year Limited Warranty

Product Specifications:

- Dimensions (WDH): 28" x 28" x 45"
- Weight: 103 lbs.

Shipping Specifications:

- Dimensions (WDH): 25" x 30" x 48"
- Weight: 117 lbs.

Electrical Specifications:

- 208V / 22.5A / 8100W / 60Hz / 3Ph / Hard Wired
- 208V / 39A / 8100W / 60Hz / 1Ph / Hard Wired



Intertek

Intertek

*Due to continuous product improvement, specifications are subject to change without notice.

BakeMax® / Titan Ventures International Inc.

Warehouses:

20 Caribou St, Moncton, NB E1H 0P3
 5705 Valley Belt Rd Independence, OH 44131
 1201 E 27th Terrace Pittsburg, KS 66762

Toll Free: 1-800-565-BAKE (2253)
 Phone: 506-858-8990
 Fax: 506- 859-6929
 Email: Sales@BakeMax.com



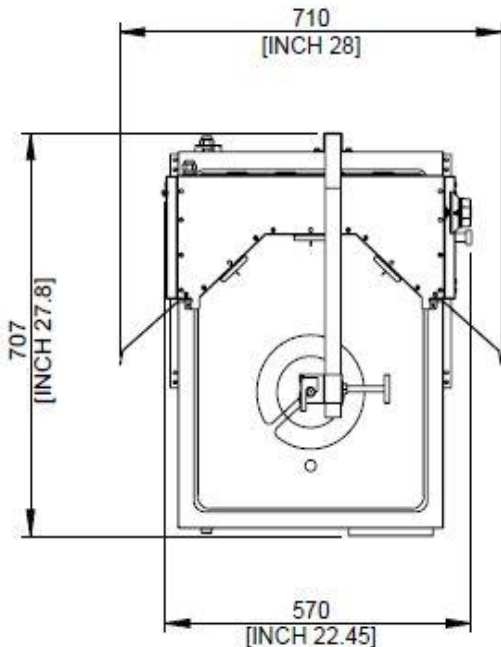
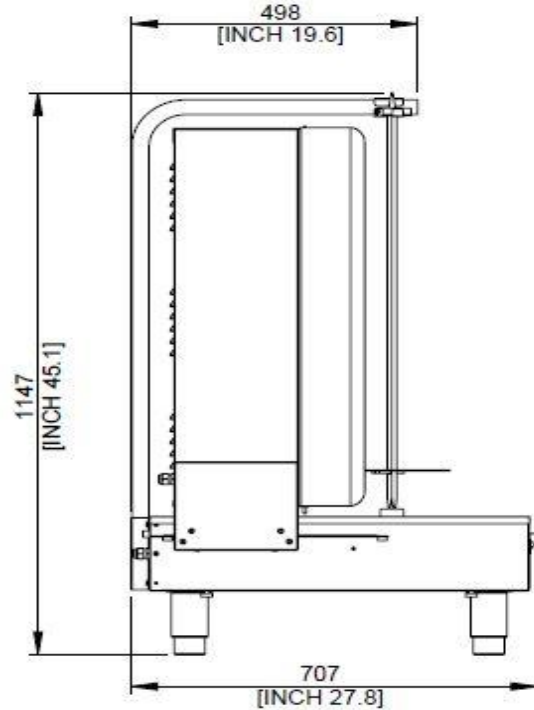
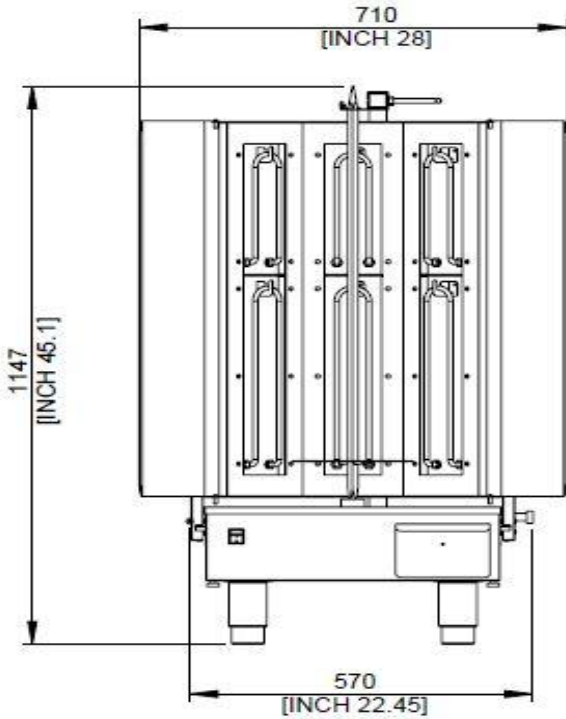
www.BakeMax.com

Project: _____

Item: _____

Qty: _____ Date: _____

BakeMax BMDN1703R Electric Shawarma Machine






REQUIRED CLEARANCES

	NON-COMBUSTIBLE	COMBUSTIBLE
LEFT	0"	12"
RIGHT	0"	12"
BACK	0"	3"

BakeMax® / Titan Ventures International Inc.

Warehouses:

20 Caribou St, Moncton, NB E1H 0P3 
 5705 Valley Belt Rd Independence, OH 44131 
 1201 E 27th Terrace Pittsburg, KS 66762 

Toll Free: 1-800-565-BAKE (2253)
Phone: 506-858-8990
Fax: 506- 859-6929
Email: Sales@BakeMax.com