



www.BakeMax.com

Project: _____

Item: _____

Qty: _____ Date: _____

BakeMax BMDN1713R Electric Shawarma Machine

Achieve authentic results with precision grilling and slicing with a BakeMax Shawarma Machine. Designed for Mediterranean restaurants, kebab establishments, and mobile food vendors, our robust and customizable equipment ensures efficient preparation of tender, flavorful shawarma and doner kebabs. Deliver exceptional quality that consistently satisfies your customers.



Features:

- Constructed of Heavy Duty Stainless-Steel
- Hygienic, Safe to use & Easy-to-Clean
- Ensures precise heat distribution for perfect gyros, doner kebab, shawarma, and al pastor.
- 220lbs. Meat Capacity
- Spit Length is 39.4" / 1002mm
- Six Individually Controlled Fast-Heating Elements providing a total of 9000W of Power
- Large base provides a strong and reliable support
- Adjustable, Dual Directional Spit
- Sliding bottom housing allows you to get the shawarma meat to get closer to the burner
- Large Easy-to-Remove Oil Drip Container
- Field Convertible to Single Phase
- 2-Year Limited Warranty

Product Specifications:

- Dimensions (WDH): 28" x 28" x 51"
- Weight: 109 lbs.

Shipping Specifications:

- Dimensions (WDH): 25" x 30" x 53"
- Weight: 122 lbs.

Electrical Specifications:

- 208V / 25A / 9000W / 60Hz / Hard Wired / 3Ph
- 208V / 43A / 9000W / 60Hz / Hard Wired / 1Ph



Intertek

Intertek

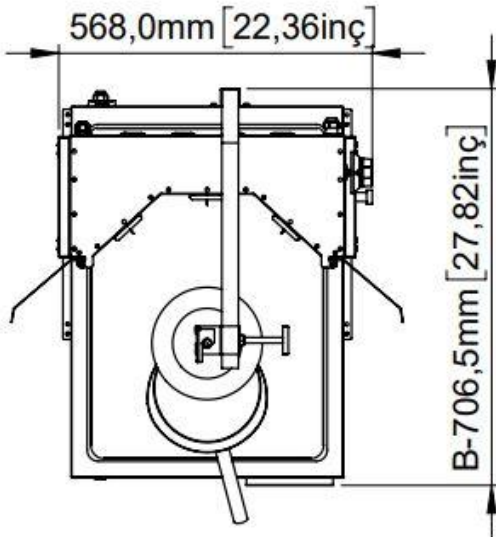
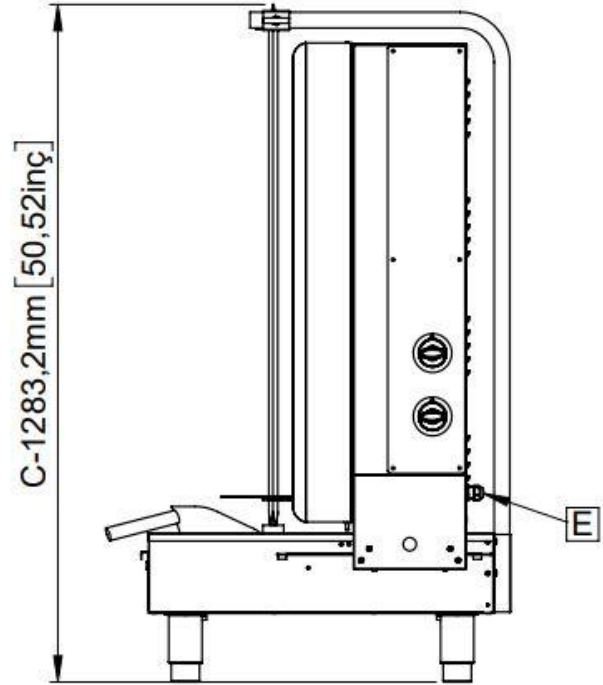
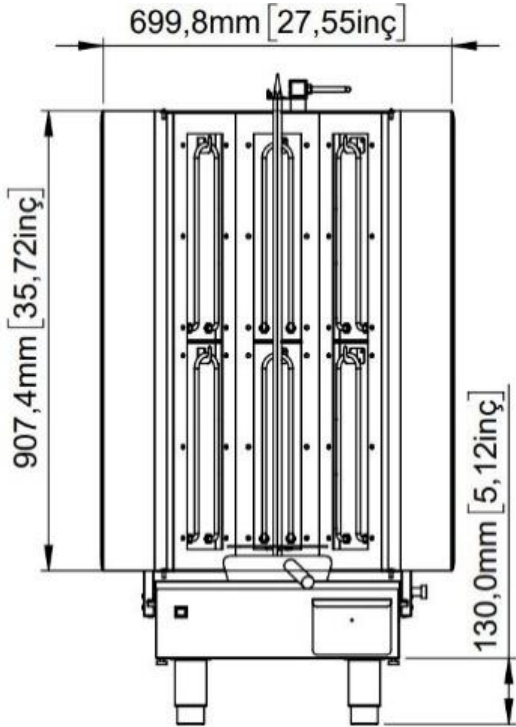
BakeMax® / Titan Ventures International Inc.

Warehouses:

20 Caribou St, Moncton, NB E1H 0P3
 5705 Valley Belt Rd Independence, OH 44131
 1201 E 27th Terrace Pittsburg, KS 66762

Toll Free: 1-800-565-BAKE (2253)
 Phone: 506-858-8990
 Fax: 506- 859-6929
 Email: Sales@BakeMax.com

BakeMax BMDN1713R Electric Shawarma Machine






REQUIRED CLEARANCES

	NON-COMBUSTIBLE	COMBUSTIBLE
LEFT	0"	12"
RIGHT	0"	12"
BACK	0"	3"

*Due to continuous product improvement, specifications are subject to change without notice.

BakeMax® / Titan Ventures International Inc.

Warehouses:

20 Caribou St, Moncton, NB E1H 0P3 
5705 Valley Belt Rd Independence, OH 44131 
1201 E 27th Terrace Pittsburg, KS 66762 

Toll Free: 1-800-565-BAKE (2253)

Phone: 506-858-8990

Fax: 506- 859-6929

Email: Sales@BakeMax.com