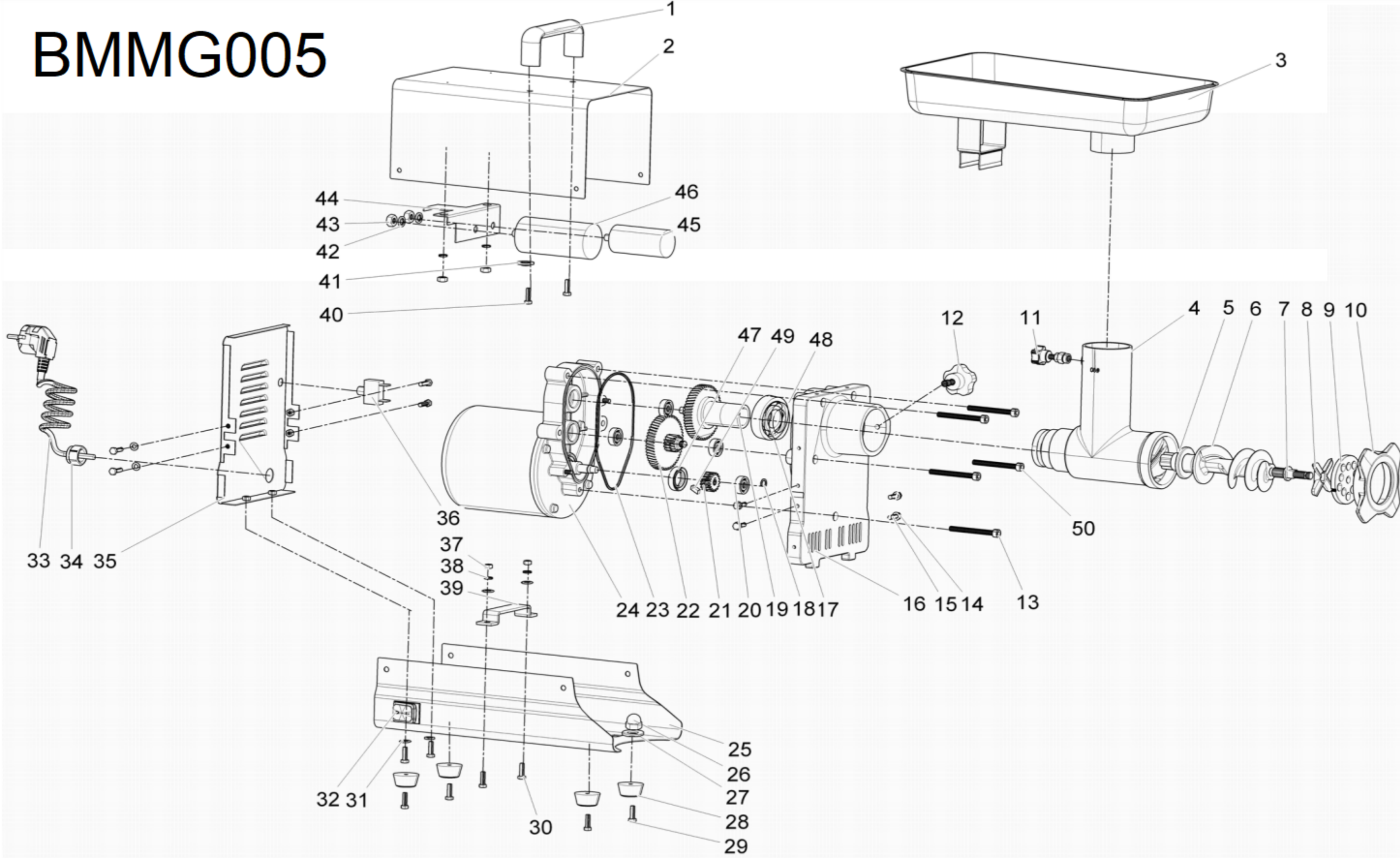


BMMG005



No.	Part Name	30	Hex bolts
1	handle	31	flat gasket
2	Top cover	32	switch
3	tray for meat	33	wire and plug
4	Input shell	34	cord
5	Nylon gasket	35	back cover
6	Feeder	36	over-heat switch
7	Axis of blade	37	nut
8	blade	38	gasket
9	round blade	39	supporting of motor
10	Screw cap	44	fixing support
11	fixing handle for tray	40	Hex bolts
12	fixing bolt for input shell	41	flat gasket
13	Socket head cap screws	42	flat gasket
14	Hex bolts	43	nut
15	flat gasket	45	starting capacitor
16	front cover	46	runing capacitor
17	bearing	47	oil-sealing
18	stepping ring	48	oil-sealing
19	spindle	49	Flat key
20	bearing	50	Socket head cap screws
21	small gear	51	blade
22	double gear		pestle
23	O sealing ring		
24	motor		
25	bottom		
26	ball nut		
27	flat gasket		
28	leg		
29	bolt		