

ÖLÇEK:  
1:50

ÇİZEN : HASAN ERTÜRK  
KONTROL : ENDER DANIŞIK  
ONAY : ENDER DANIŞIK

İMZA :  
İMZA :  
İMZA :

BÖLÜM : JP  
REVİZYON TARİHİ : 26.12.2023  
REVİZYON NO :  
HAMMADDE : ...



ÜRÜN KODU : Çalışma Sayfası1  
ÜRÜN ADI : EMP.MK.80 PATLAMIS RESİM-1

AKSİ BELİRTİLMEDİĞİ SÜRECE BOYUTLAR MİLİMETREDİR

NO	PARA KODU	PARA ADI
1	ARA.FS-ERS.MK-021	MK.80 MIXER REAR FIXED BASKET MNTJ.
2	M.KYS-TKY-028	14 PJ 1435 TRIMMER BELT
3	EMP.MK.60	SHANZUMAN MNTJ.
4	ARA.FS-ERS.MK-018	MK.80 MIXER BASKET ASSEMBLY
5	ARA.FS-ERS.MK-019	MK.80 THIN WIRE BED ASSEMBLY
6	ARA.FS-ERS.MK-020	MK.80 THICK WIRE BEARING MNTJ.
7	YSC-ERS.MK-LZ-0120	EMP.MK.60 GEARBOX LOWER COVER SC
8	YDK-ERS.MK-CN-0061	MK.80 ALUMINUM LEAF
9	YSC-ERS.MK-LZ-0119	EMP.MK.60 FRONT PANEL SC
10	YTL-ERS.MK-KS-0116	MK.80 DOUGH AXE (CUTTING-HORIZONTAL LATHE)
11	M.MTS-ERS-MK-012	500x480 mm CIRCULAR MIXER BOILER MK.80
12	EMP.MK.80	BOILER TABLE ASSEMBLY
13	YTL-ERS.MK-KS-0096	HANDLE BODY ELEMENT Ø16-100mm
14	YTL-ERS.MK-KS-0097	SPRING FIXING ELEMENT Ø24-55mm
15	YSC-ERS.MK-LZ-0147	EMP.MK.60 LOCK MECHANISM FIXING SC
16	M.YAY-ERS-057	EMP.MK.60 HANDLE LOCK SPRING
17	YTL-ERS.MK-KS-0099	HANDLE BODY CORE LATHE PARTS Ø20-16mm
18	M.AKS-KLP-BKL-022	ARMUTLU NO2 M8 BUSHING BAKELITE HANDLE (FEMALE)
19	YTL-ERS.MK-KS-0101	EMP.MK.60 HANDLE BODY MOVEMENT SHAFT Ø10-80
20	YTL-ERS.MK-KS-0100	HANDLE BODY Casing CORNER PART Ø18-80mm
21	YTL-ERS.MK-KS-0098	HANDLE BODY Casing CORNER PART Ø30-19mm
22	M.AKS-GNL-MK-016	IGUS Ø20 ALM SLIDE
23	M.AKS-GNL-MK-017	IGUS CAR - 001
24	M.ELK-SWC-ERS-001	SWITCH -Z15G 1307

ÖLEK:

1:50

İZEN : HASAN ERTÜRK

KONTROL : ENDER DANIŞIK

ONAY : ENDER DANIŞIK

İMZA :

İMZA :

İMZA :

BÖLÜM : ERSÖZ

REVİZYON TARİHİ : 28.06.2024

REVİZYON NO :

ÜRÜN KODU : alıřma Sayfası2

ÜRÜN ADI : EMP.MK.80 EXP VIEW

HAMMADDE : ...

AKSI BELİRTİLMEDİĐİ SÜRECE BOYUTLAR MİLİMETREDİR



NO	PARÇA KODU	PARÇA ADI
25	YSC-ERS.MK-LZ-0121	EMP.MK.60 BOILER REAR TOP SC
26	YDK-ERS.MK-CN-0057	EMP.MK.60 BASKET TIE DOWN THROAT ALUMINUM
27	M.AKS-DGM-MUH-009	HALF MOON BUTTON SOCKET
28	YSC-ERS.MK-LZ-0134	EMP.MK.60 PANEL LABEL SC
29	M.AKS-ETK-LKS-ERS-MK-003	EMP.MK.60 LEKSAN LABEL
30	M.ENJ-ERS-PLS-PS-018	POTATO PEELING TIMER BUTTON PLASTIC
31	M.ELK-SLT-BTL-011	19 MM PERMANENT 220V GREEN LIGHTED METAL BUTTON(IMPORTED)
32	M.ELK-MEK-MTM-004	60-MINUTE MECHANICAL WINDING TIME CLOCK
33	YEL-ERS.SD-KS-0004	AUTOMATON RAIL 21 CM
34	M.ELK-KNT-KNT-037	SCHNEIDER LC1D12F7 CONTACTOR
35	M.ELK-EDM-ERK-006	MDR 60-24 POWER SUPPLY (MEAN WELL)
36	M.ELK-SRC-010	OPTIDRIVE E3 ODE-3-3-320180-3F42 MOTOR DRIVER
37	M.ELK-KNT-ROL-019	SCHNEIDER RXZE2M114M ROLE SOCKET
38	M.ELK-KLM-038	AVK 10x10 MM RAIL FLANGE (BLUE)
39	YSC-ERS.MK-LZ-0124	EMP.MK.60 BODY TOP FIXING SC
40	YSC-ERS.MK-LZ-0132	EMP.MK.60 MOTOR MOUNT SC
41	M.ELK-MTR-RSM-115	2.2 KW 2800 RPM 380V B3
42	YSC-ERS.MK-LZ-0169	MK.60 MOTOR PULLEY BOTTOM WASHER SC 10 MM
43	YDK-ERS.MK-CN-0046	MK.04-2016 ENGINE PULLEY (HORIZONTAL LATHE)
44	YSC-ERS.MK-LZ-0129	EMP.MK.60 ENGINE PULLEY TIGHTENING SC
45	M.ENJ-ERS-PLS-MK-014	EMP.MK.60 TOP COVER CIRCULAR
46	EMP.MK.80	MK.60 SHAFT COVER
47	YTL-ERS.MK-KS-0109	MK.60 WIRE CONNECTION ALUMINUM

ÖLÇEK:

1:50

ÇİZEN : HASAN ERTÜRK

KONTROL : ENDER DANIŞIK

ONAY : ENDER DANIŞIK

İMZA :

İMZA :

İMZA :

BÖLÜM : ERSÖZ

REVİZYON TARİHİ : 28.06.2024

REVİZYON NO :

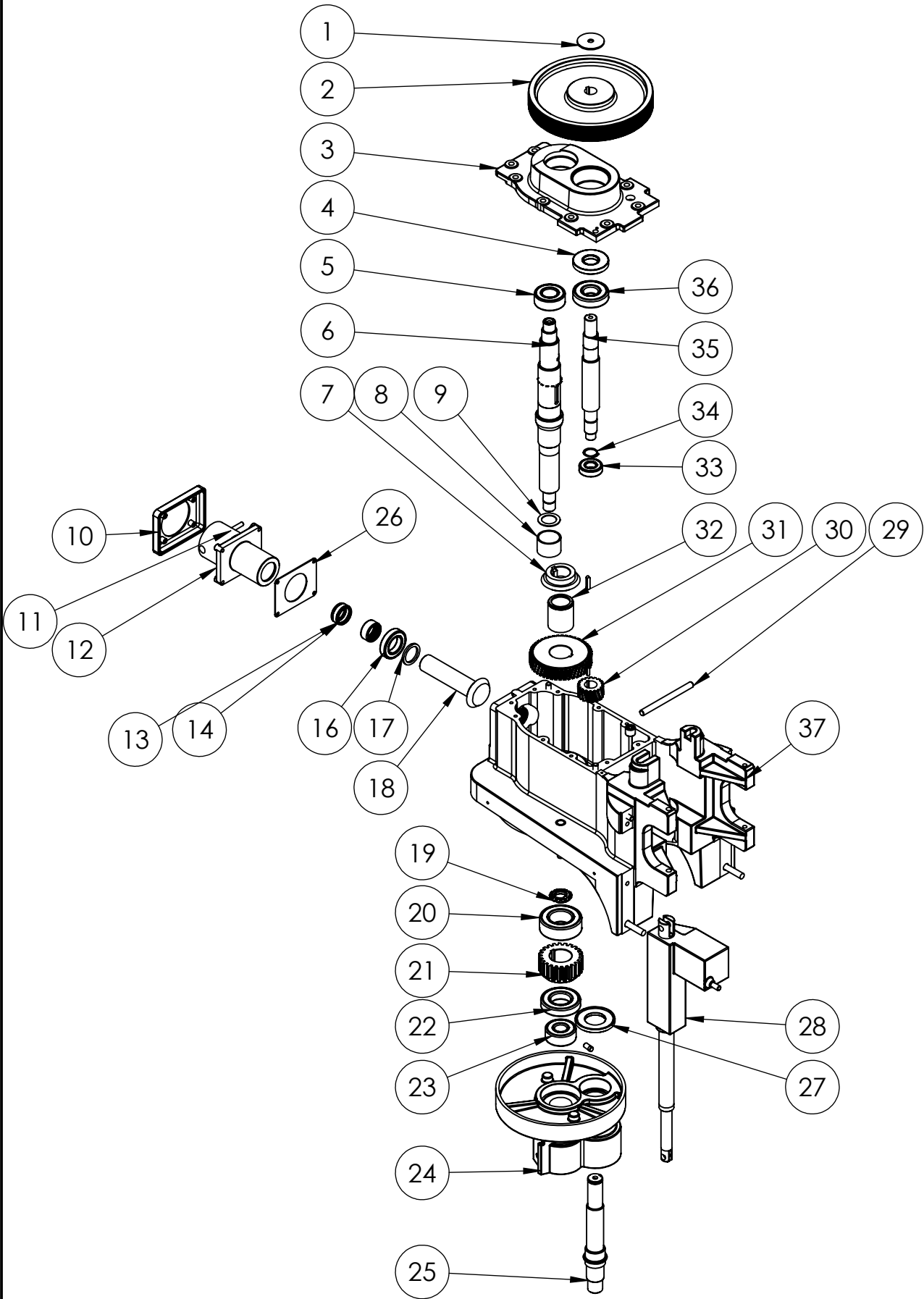
ÜRÜN KODU : Çalışma Sayfası3

ÜRÜN ADI : EMP.MK.80 EXP VIEW

HAMMADDE : ...

AKSİ BELİRTİLMEDİĞİ SÜRECE BOYUTLAR MİLMİTREDİR





ÖLÇEK:

1:11

ÇİZEN : HASAN ERTÜRK

KONTROL : ENDER DANIŞIK

ONAY : ENDER DANIŞIK

İMZA :

İMZA :

İMZA :

BÖLÜM : ERSÖZ

REVİZYON TARİHİ : 28.06.2024

REVİZYON NO :

ÜRÜN KODU : Çalışma Sayfası2(2)

ÜRÜN ADI : EMP.MK.80 EXP VIEW

HAMMADDE : ...

AKSİ BELİRTİLMEDİĞİ SÜRECE BOYUTLAR MİLİMETREDİR



NO	PARÇA KODU	PARÇA ADI
1	YSC-ERS.MK-LZ-0129	EMP.MK.60 ENGINE PULLEY TIGHTENING SC
2	YDK-ERS.MK-CN-0062	EMP.MK.60 GEARBOX PULLEY
3	YDK-ERS.MK-CN-0055	GEARBOX HOUSING COVER ALUMINUM
4	M.CNT-KCE-052	30X72X10 - FEKO 301AS FELT
5	M.RLM-NRM-055	30x62x24 BEARING (FAG 3206-BD-XL-2HRS-TVH-L192-20)
6	YTL-ERS.MK-KS-0087	EMP.MK.60 GEARBOX MAIN SHAFT Ø55-460 mm
7	YTL-ERS.MK-KS-0108	EMP.MK.60 MEAT PULLING GEAR HELIX CONICAL Ø78
8	YBR-ERS.MK-KS-0003	EMP.MK.60 SHAFT SPACER PIPE Ø45x3 32,5 mm
9	YSC-ERS.MK-LZ-0137	EMP.MK.60 GEARBOX BEARING WASHER SC
10	M.ENJ-ERS-PLS-MK-019	EMP.MK.60 FRONT PLASTIC COVER-END
11	M.AKS-KLP-BKL-029	M8x40 DIAMETER 40 BUTTERFLY WITH BAKALITE HANDLE
12	YDK-ERS.MK-CN-0063	MK.60 GEARBOX FRONT SHAFT CASTING
13	M.CNT-KCE-055	35X42X10 SUPTEX FELT
14	M.RLM-NRM-060	HK3520-B INA BEARING
15	YBR-ERS.SD-KS-0015	MK.60 FRONT SHAFT BEARING SPACER TUBE
16	BBC-M.RLM-NRM-025	35x62x14 BEARING (6007 ZZ)
17	YSC-ERS.SD-LZ-0139	MK.60 GEARBOX FRONT SHAFT WASHER SHEET
18	YTL-ERS.MK-KS-0111	EMP.MK.60 ET TRACTING GEAR HELICAL CONICAL Ø60-128 mm
19	B-OZL-MK-0003	MB.5 KMS PUL
20	M.RLM-NRM-056	45X85X30 BEARING (FAG 3209-BD-XL-2HRS-TVH-C3)
21	YTL-ERS.MK-KS-0105	EMP.MK.60 GEARBOX DRIVE GEAR Ø89
22	M.RLM-NRM-054	40x80x18 BEARING (FAG 6208-H-2RSR C3)
23	M.RLM-NRM-053	25x62x25 BEARING (FAG 3305 BD-XL-2HRS-TVH-C3)
24	YDK-ERS.MK-CN-0056	EMP.MK.60 GEARBOX PIVOT PULLEY
25	YTL-ERS.MK-KS-0088	EMP.MK.60 GEARBOX SHAFT SHAFT SHAFT Ø48-275 mm
26	M.CNT-ERS-058	MK.80 GLYINDRIC GASKET
27	M.CNT-KCE-054	40x80x10 - FEKO 89AS SEAT
28	EMP.MK.60	LINAK ACTUATOR MOTOR DK-6430 6000N IPX4
29	YTL-ERS.MK-KS-0083	EMP.MK.60 ACTUATOR MOTOR FIXING SHAFT Ø12 142 mm
30	YTL-ERS.MK-KS-0107	EMP.MK.60 GEARBOX SHAFT HELI GEAR Ø52
31	YTL-ERS.MK-KS-0104	EMP.MK.60 GEARBOX HELI SHAFT GEAR Ø125
32	YBR-ERS.MK-KS-0004	EMP.MK.60 SHAFT SPACER PIPE Ø51x3 55,5 mm
33	ORS-M.RLM-NRM-014	20x47x14 BEARING (6204 ZZ)
34	SEGMAN	471 CIRCLIP ( 4-50)
35	YTL-ERS.MK-KS-0085	EMP.MK.60 GEARBOX SHAFT SHAFT 296 mm Ø35
36	M.CNT-KCE-052	30X72X10 - FEKO 301AS FELT
37	YDK-ERS.MK-CN-0054	EMP.MK.60 GEARBOX HOUSING ALUMINUM

ÖLÇEK:

1:11

ÇİZEN : HASAN ERTÜRK

KONTROL : ENDER DANIŞIK

ONAY : ENDER DANIŞIK

İMZA :

İMZA :

İMZA :

BÖLÜM : ERSÖZ

REVİZYON TARİHİ : 28.06.2024

REVİZYON NO :

ÜRÜN KODU : Çalışma Sayfası4(2)

ÜRÜN ADI : EMP.MK.80 EXP VIEW

HAMMADDE : ...

AKSI BELİRTİLMEDİĞİ SÜRECE BOYUTLAR MİLMİTREDİR

