



www.BakeMax.com

Project: _____

Item: _____

Qty: _____ Date: _____

BakeMax BMPLS7FE030 34L Electric Floor Model Fryer

The BakeMax BMPLS7FE030 is a 19kW electric fryer with a 75 lbs. oil capacity. It is suitable for frying a wide variety of basic foods, whether they be fresh or frozen: appetizers, chicken, fries, breaded products, etc. A floor deep fryer is ideal for a restaurant or commercial kitchen with a high-volume of fried foods. If you're just doing a few fried items here and there, you may want to check out our countertop fryers.



Features:

- All Stainless-Steel Construction making this very easy-to-clean and hygienic
- Stainless-Steel drawn fry pot with stainless steel baskets included
- Stainless-Steel Fry Tank holds up 34 Liters / 75lbs. of Oil
- Safety thermostat for overheat protection
- Safe oil drainage from the bottom via valve
- Lift up heating element for easy cleaning
- Available with Locking Casters
- 1-Year Limited Warranty

Product Specifications:

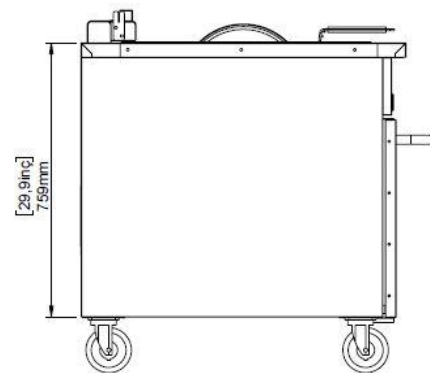
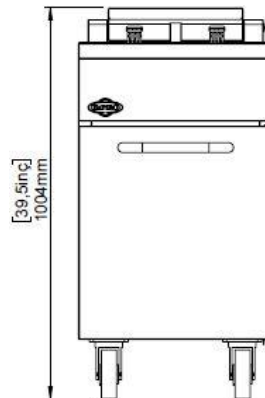
- Product Dimensions (WDH): 19.5" x 38.2" x 39.5"
- Product Weight: 108 lbs.

Shipping Specifications:

- Shipping Dimensions (WDH): 26" x 40" x 44"
- Shipping Weight: 130 lbs.



Intertek Intertek






Electrical Specifications:

- 208V / 91.5A / 19000W / 60Hz / 1Ph
- 208V / 53A / 19000W / 60Hz / 3Ph

**Due to continuous product improvement, specifications are subject to change without notice.

BakeMax® / Titan Ventures International Inc.

Warehouses:

20 Caribou St, Moncton, NB E1H 0P3 
5705 Valley Belt Rd Independence, OH 44131 
1201 E 27th Terrace Pittsburg, KS 66762 

Toll Free: 1-800-565-BAKE (2253)

Phone: 506-858-8990

Fax: 506- 859-6929

Email: Sales@BakeMax.com