



www.BakeMax.com

Project: \_\_\_\_\_

Item: \_\_\_\_\_

Qty: \_\_\_\_\_ Date: \_\_\_\_\_

## BakeMax BMPLS7IE020 24" Electric Thermostatic Griddle

BakeMax Electric Griddles are reliable solutions designed for professional grilling applications. It features a 3/4" highly polished steel griddle plate that holds temperatures and has quick recovery. Each 12" Section on the griddle has its own individual control. Perfect for Restaurants, Cafes and Hotels.



### Features:

- Stainless-Steel Construction making this very easy-to-clean and hygienic
- Thermostatic Controls with a Temperature Range of 150-500°F
- 3/4" Thick Polished Steel Griddle Plate
- Each 12" section is controlled individually
- 3.25" Wide front grease trough
- 5" x 20" Removeable Grease Tray
- Heavy-Duty 4" Adjustable Legs
- 2-Year Limited Warranty



### Product Specifications:

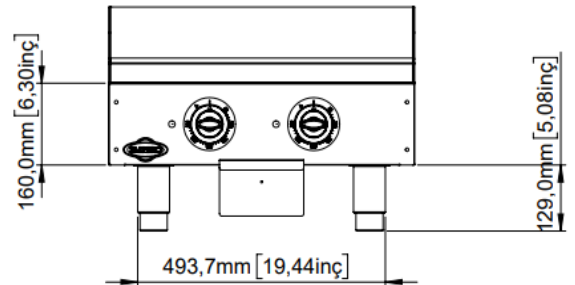
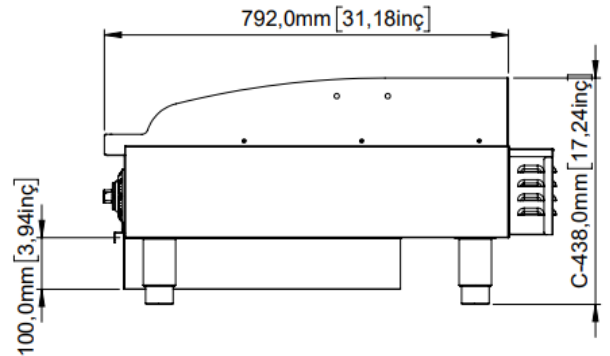
- Product Dimensions (WDH): 24" x 34.6" x 17.24"
- Product Weight: 220 lbs.

### Shipping Specifications:

- Shipping Dimensions (WDH): 26" x 38" x 25"
- Shipping Weight: 254 lbs.

### Electrical Specifications:

- 208V / 22.5A / 8000W / 60Hz / 3Ph
- 208V / 38.5A / 8000W / 60Hz / 1Ph



\*Due to continuous product improvement, specifications are subject to change without notice.

**BakeMax® / Titan Ventures International Inc.**

#### Warehouses:

20 Caribou St, Moncton, NB E1H 0P3   
 5705 Valley Belt Rd Independence, OH 44131   
 1201 E 27th Terrace Pittsburg, KS 66762

**Toll Free:** 1-800-565-BAKE (2253)

**Phone:** 506-858-8990

**Fax:** 506- 859-6929

**Email:** Sales@BakeMax.com