



www.BakeMax.com

Project: \_\_\_\_\_

Item: \_\_\_\_\_

Qty: \_\_\_\_\_ Date: \_\_\_\_\_

## BakeMax BMPLS7IE030 36" Electric Thermostatic Griddle

BakeMax Electric Griddles are reliable solutions designed for professional grilling applications. Features a 3/4" highly polished steel griddle plate that holds temperatures and has quick recovery. Each 12" Section on the griddle has its own individual control. Perfect for Restaurants, Cafes and Hotels.



### Features:

- Stainless-Steel Construction making this very easy-to-clean and hygienic
- Thermostatic Controls with a Temperature Range of 150-500°F
- 3/4" Thick Polished Steel Griddle Plate
- Each 12" section is controlled individually
- 3.25" Wide Front Grease Trough
- 5" x 20" Removeable Grease Tray
- Heavy-Duty 4" Adjustable Legs
- 1-Year Limited Warranty

\*Also available in 24" & 48" Widths



Intertek



Intertek



### Product Specifications:

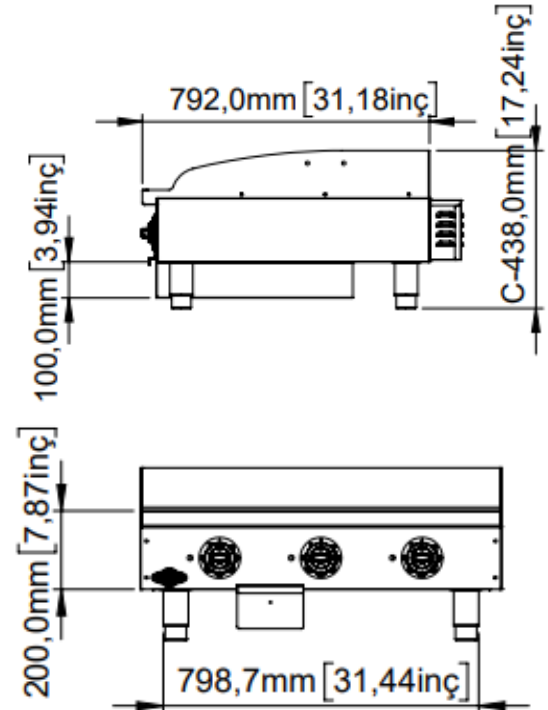
- Product Dimensions (WDH): 36" x 34.6" x 17.24"
- Product Weight: 270 lbs.

### Shipping Specifications:

- Shipping Dimensions (WDH): 49" x 38" x 20"
- Shipping Weight: 309 lbs.

### Electrical Specifications:

- 208V / 33.5A / 12000W / 60Hz / 3Ph
- 208V / 58A / 12000W / 60Hz / 1Ph



\*Due to continuous product improvement, specifications are subject to change without notice.

**BakeMax® / Titan Ventures International Inc.**

#### Warehouses:

20 Caribou St, Moncton, NB E1H 0P3

5705 Valley Belt Rd Independence, OH 44131

1201 E 27th Terrace Pittsburg, KS 66762

Toll Free: 1-800-565-BAKE (2253)

Phone: 506-858-8990

Fax: 506- 859-6929

Email: Sales@BakeMax.com