

BMPM020 20 Quart Planetary Mixer Operations Manual



Questions? OEM Parts, Contact Us:

Toll Free: 1-800-565-2253

Email: Info@BakeMax.com

www.BakeMax.com



Warning & Safety

PLEASE READ AND FOLLOW INSTRUCTIONS BELOW TO PREVENT INJURY OR DAMAGE TO THE PRODUCT

BakeMax[®] (a registered trademark of Titan Ventures International Inc or TVI) is not responsible for any harm or injury caused due to any person's improper or negligent use of this equipment. The product shall only be operated by someone over the age of 18, of sound mind, and not under the influence of any drugs or alcohol, who has been trained in the correct operation of this machine, and is wearing authorized, proper safety clothing. This machine is intended for commercial use only. Any modification or miss use to the machine voids any warranty and may cause harm to individuals using the machine or in the area of the machine while in operation.

- When using the machine, please ensure that you have read all the instructions within this manual.
- Be aware of your surroundings when using this machine, ensure there are no children or any other persons who are near the machine before operating.
- Do not put hand near moving parts.
- Remove all obstacles, which may interfere with machine functions.
- Keep work area clean and clear of clutter.
- Do not sit or stand on machine.
- Do not wear loose clothing or jewellery when operating machine as it may get caught in moving parts and cause injury.
- Stop using the machine and have it checked by an authorized service personal if it is not working properly.
- Disconnect from power source before performing and maintenance or cleaning on the machine.
- When the machine is not in use, please clean and store properly,
- Do not place any electrical parts or plug / cord in water or liquid.
- If the supply cord is damaged it must be replaced by an authorized service agent in order to avoid any electrical hazards.
- Keep power cord away from heat.
- Always ensure to follow local laws when operating your machine.

Cleaning

- This unit has been coated for shipping purposes, please clean before use.
- Do not use any liquid pressurised cleaning equipment on this machine.
- Disconnect power supply before cleaning.
- Only use food grade non-abrasive cleaning agents.
- Follow any additional cleaning / maintenance listed below.

Features

The BakeMax BMPM020 – 20 Qt Heavy Duty Planetary Mixer provides durability, long life and excellent mixing performance. They are safe, easy to use and capable of a broad range of dough and food mixing applications.

- 100% Gear Driven
- #12 Hub for meat grinder / vegetable cutter attachment
- ½ HP Motor offers enough power to mix stiffer doughs and larger batches
- 15-minute digital timer
- All Metal and die-cast Aluminum Body
- Transmission is made of hardened alloy steel gears
- All shafts are mounted in ball bearings
- Manual 3 speed control (139 / 259 / 473 RPM)
- Planetary mixing action ensures perfect results
- Simple hand lift for tool change and bowl removal
- Includes dough hook, flat beater and wire whip
- Safety guard is standard for model BMPM020 and provides with automatic shut-off when guard is opened at any speed
- Emergency Stop Button
- 2-Year Limited Warranty

Technical Specifications:

- Exterior Dimensions (WDH): 20" x 23" x 33"
- 110v / 8 amps / 375 watts / 60Hz / 1Ph
- Nema 5-15P Plug
- Net Weight 216 lb
- Packaged Dimensions (WDH): 21" x 25" x 40"
- Packaged Weight 276 lb

Installation, Operation and Care of 20 QT MIXERS

This Mixer is an advanced design, highly-reliable professional food processing tool, and is ideal for mixing all types of dough, as well as eggs, cream, mayonnaise, etc.

This model Mixers are equipped with powerful 1/2 HP motors and strong gear drive design. The gears are made of heat treated alloy steel and a hardness steel worm wheel. There is 3 speeds and various style attachments which can be selected to obtain the best using food are made of alloy aluminum or they're with hygiene standard. **A stainless steel safety guard is standard on model BMPM020**

If your operation and maintenance are correct, then it will give you years of service, and obtain the best using result.

INSTALLATION

UNPACKING

Immediately after unpacking the mixer, check it for possible shipping damage. If this machine is found to be damaged after unpacking, save the packaging material and contact the carrier immediately. Prior to installation, test the electrical service to assure it agree with the specifications on the machine data plate located on the back side of the pedestal.

LOCATION

Place the mixer in its operating location. Bench should be placed on a sturdy level surface. There should be adequate space around the mixer for the user to operate the control and install and remove bowls.

Holes are provided in the base to permanently secure the mixer, although this not necessary in normal installations. Floor models must be leveled front-back and side-to-side by sliding shims under the legs as required.

ELECTRICAL CONNECTIONS (Cord Connected Mixers)

WARNING: THIS SUPPLY CORD ON THIS MACHINE IS PROVIDED WITH A THREE-PRONG GROUNDING PLUG. IT IS IMPERATIVE THAT THE OUTLET TO WHICH THIS PLUG IS CONNECTED BE PROPERLY GROUNDED. IF THE RECEPTACLE IS NOT THE PROPER GROUNDING TYPE, AN ELECTRICIAN SHOULD BE CONTACTED.

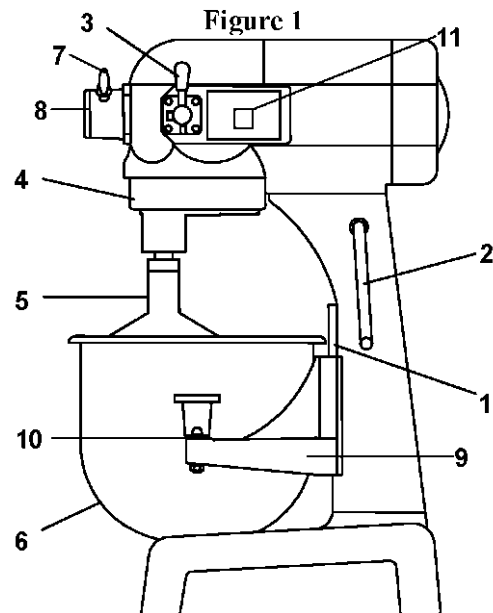
OPERATION

WARNING: MOVING BEATER IN BOWL. KEEP HAND, CLOTHING, AND UTENSILS OUT WHILE IN OPERATION.

All models are furnished with an ON-OFF switch (figure 1-11), which controls power to the mixer.

The GEAR SHIFT LEVER (figure 1-3) is used to change speeds. Always stop the mixer before changing speeds. To change speeds, turn the switch OFF, move the gear shift lever to the desired speed, and turn the switch back ON.

- Speed 1 (low) - This speed is for heavy mixtures such as bread dough, heavy batters, and potatoes.
- Speed 2 (medium) - This speed is for light dough which must raise quickly, heavy batters, and some whipping operations.
- Speed 3 (high) - This speed is fast speed for light work such as whipping cream, beating eggs, and mixing thin batters.



AGITATOR

To install an agitator (figure 1-5), the bowl (Figure 1-6) must be installed and fully lowered. Place the agitator in the bowl, push it up on the agitator shaft, and turn it clockwise to seat the shaft pin in the slot of the agitator shank.

DOUGH ARM:

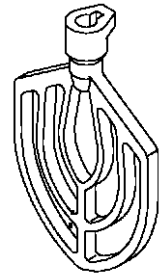
Frequently used for heavy bread dough, and preferable to be used at low speed.

The moisture content of heavy dough is critical when selecting proper mixing speed. You should never use 2nd speed when mixing heavy dough with an Absorption Ratio (AR) of 50% or less.



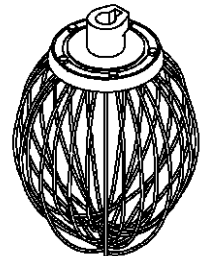
BEATER:

Commonly used for thin batters, cake and mashing potatoes, like stuffing and preferable to be used at middle speed.



WIRE WHIP:

Best for whipping cream and beating eggs and preferable to be used at high speed.



BOWL

New mixer's bowl (Figure 1-6) and agitators (beaters, whip, and dough arms) should be thoroughly washed with hot water and mild soap solution, rinsed with either a mild soda or vinegar solution, and thoroughly rinsed with clean water **BEFORE** being put into service. This cleaning procedure should also be followed for bowls and agitators before whipping egg whites with or whole eggs.

HUB ATTACHMENTS

The mixer's standard-sized, No. 12 hub accommodates a variety of optional attachments. To install an attachment, loosen the thumbscrew (Figure 1-7) on the attachment hub and remove the hub cover plug (Figure 1-8). Insert the attachment into the attachment hub making certain that the square shank of the attachment is in the square driver of the mixer. Secure the attachment by tightening the thumbscrew. Be sure to follow the manufacturer's installation, operation, and safety instructions for the hub attachment.

Note: Attachment hub should not be used while mixing

MAINTENANCE

NOTE: ALL MAINTENANCE WORK SHOULD BE DONE ONLY AFTER UNIT HAS BEEN DISCONNECTED FROM ELECTRICAL POWER AND GROUNDING.

Never use a metal or stiff brush to clean the mixer. Never clean the mixer with a water hose or any fluid pressure.

The mixer should be thoroughly cleaned daily.

Bowls and agitators should be removed from the mixer and cleaned in a sink.

The transmission case and planetary mechanism should be inspected weekly for leaks, damage, etc. Should it become necessary to repack the ball bearings, an authorized service technician or the manufacturer should be contacted. Use of unproved grease or lubricants may lead to damage and void the unit's warranty.

The **bowl lift slid ways** (Figure 1-1) should be lubricated semi-annually, or more often under heavy usage. Disconnect the unit from the power supply before removing the top housing or apron. The **drip cup** (Figure 1-4) **or safety guard** should be inspected periodically for moisture or lubricant dripping. Remove the cup and wipe it with a soft cloth.

CLEANING

The mixer should be thoroughly cleaned daily.

Bowls and agitators should be removed from the mixer and cleaned in a sink.

DO NOT use a hose to clean the mixer - it should be washed with a clean damp cloth.

The drip cup (Figure 1-4) should be removed periodically and wiped clean. A large flat blade screwdriver may be used to remove the drip cup



Mixing Dough & Capacity Information

The moisture content of heavy dough is a critical factor when selecting proper mixing speed. You should never use 2nd speed when mixing heavy dough with an Absorption Ratio (AR) of 50% or less. To determine the Absorption Ratio (AR) of a product, divide the water weight by the flour weight.

Warehouses:
 270 Baig Blvd Suite A3, Moncton, NB, E1E1C8
 1605 Crescent Cr Carrollton, TX, Dallas, TX 75006

Example: Calculate the Absorption Ratio of a mixture containing 10 lbs. Of flour and 5 lbs. of water.
 $5 / 10 = 0.50 = 50\% = AR$

PRODUCT	TOOL	BMPM007	BMPM012	BMPM020 / BMPM20A	BMPM030	BMPM040	BMPM060	BMPM080	BMPM120
Egg Whites	Whip	0.4 qts.	0.63 qts.	1 qts.	1.5 qts.	2 qts.	3.1 qts.	4.2 qts.	3.6 qts.
Mashed Potatoes	Beater	4 lbs.	10 lbs.	15 lbs.	22 lbs.	29 lbs.	40 lbs.	60 lbs.	90 lbs.
Mayonnaise (qts. Oil)	Beater	3 qts.	4 qts.	8.5 qts.	12.7 qts.	13.7 qts.	19 qts.	31.7 qts.	40 qts.
Meringue (qts. Water)	Whip	0.25 qts	0.42 qts.	0.75 qts.	1 qts.	1.5 qts.	2 qts.	3 qts.	4 qts.
Waffle/Pan cake Batter	Beater	3 qts.	4.5 qts.	7.5 qts.	12 qts.	16 qts	23 qts	32 qts.	NA
Whipped Cream	Whip	1.8 qts.	2 qts.	4 qts.	6 qts.	9 qts	12 qts	16 qts.	25 qts.
Cup Cake / Layer Cake	Beater	6 lbs.	11 lbs.	20 lbs.	30 lbs.	44 lbs.	60 lbs.	88 lbs.	120 lbs.
Sponge Cake (w/ Flour & Butter)	Whip	4 lbs.	7.5 lbs.	13 lbs.	22 lbs.	26.5 lbs.	44 lbs.	80 lbs.	120 lbs.
Sugar Cookie	Beater	3 lbs.	10 lbs.	14 lbs.	22 lbs.	30 lbs.	40 lbs.	60 lbs.	80 lbs.
Bread or Roll Dough (Light/ Medium, 60% AR)	Hook	3 lbs.*	4.4 lbs. of Flour*	10 lbs. of Flour*	16.5 lbs. of Flour*	30 lbs. of Flour**	55 lbs. of Flour**	77 lbs. of Flour**	160 lbs. of Dough Total**
Bread or Roll Dough (Heavy, 55% AR)	Hook	2 lbs.*	3.75 lbs. of Flour*	8 lbs. of Flour*	14.5 lbs. of Flour*	24.5 lbs. of Flour**	49 lbs. of Flour**	66 lbs. of Flour**	120 lbs. of Dough Total**
Thin Pizza Dough, Pasta, Basic Egg Noodle (40% AR, Max 5 Minutes of Mixing Time)	Hook	2 lbs.*	3.3 lbs. of Flour*	6.5 lbs. of Flour*	13.5 lbs. of Flour*	22 lbs. of Flour*	44 lbs. of Flour*	55 lbs. of Flour*	80 lbs. of Dough Total*
Medium Pizza Dough (50% AR)	Hook	2.5 lbs.*	3.3 lbs. of Flour*	6.5 lbs. of Flour*	13.5 lbs. of Flour*	22 lbs. of Flour*	44 lbs. of Flour*	55 lbs. of Flour*	90 lbs. of Dough Total*
Thick Pizza Dough (60% AR)	Hook	3 lbs.*	4.4 lbs. of Flour*	10 lbs. of Flour*	16.5 lbs. of Flour*	30 lbs. of Flour**	55 lbs. of Flour**	77 lbs. of Flour**	100 lbs. of Dough Total**
Raised Donut Dough (65% AR)	Hook	2.5 lbs.*	3.3 lbs. of Flour*	6.5 lbs. of Flour*	13.5 lbs. of Flour*	22 lbs. of Flour*	44 lbs. of Flour*	55 lbs. of Flour*	70 lbs. of Dough Total*
Whole Wheat Dough (70% AR)	Hook	3 lbs.*	4.4 lbs. of Flour*	10 lbs. of Flour*	16.5 lbs. of Flour*	30 lbs. of Flour**	55 lbs. of Flour**	77 lbs. of Flour**	120 lbs. of Dough Total**

Capacity Conversion

- 1 Gallon of Water Weighs 8.33 lbs.
- 1 Liter of Water Weighs 1 kg or 2.2 lbs.
- 1 lb = 0.454 kg / 1 kg = 2.2 lbs.
- 1 US Liquid Quart = 0.946 Liters

Speeds:

- **1st Speed Only
 - ***1st Speed & 2nd Speed Only
- Notes:**
- If using high gluten or rice flour, please reduce capacity by 10%.
 - If using water colder than 70°F, ice or chilled flour, please reduce capacity by 10%.
 - Attachment hub should not be used while mixing.
 - Mixer should be powered off when changing speeds

This chart should be used as a guide only. Type of flour and other factors can vary and may require batch size to be adjusted.

Warranty & Service

BakeMax provides a 1-Year Limited Parts and Labor warranty on most items, there are select items which carry a Limited 2-Year Warranty. Extended Warranty is available on some products. Please contact us for details. The Warranty is not transferable and is limited to original installation of equipment sold by BakeMax for the original user.

For all Warranty Claims, Proof of Purchase and/or Serial Number is required. Once the machine is approved, BakeMax will provide our customers with on-site Warranty Coverage on all equipment more than 100lbs. BakeMax assumes no responsibility for down time or loss of product. Repairs must be Pre-Authorized by BakeMax and have a Service Authorization Number issued prior to commencing Warranty Service.

Warranty begins 10-Days after shipping from warehouse; delays in installation which would extend the Warranty must be Approved. All equipment must be installed and connected by Qualified Professionals in accordance with the Manual Specification. Products shipped are to be inspected at time of delivery, the receiver is responsible for inspection.

Any abuse or improper use of the equipment will void the warranty. This includes failure to follow all cleaning instructions, improper installation, improper maintenance, failure to follow capacity charts, improperly wired electrical connections. The Warranty does not apply to abuse, willful or accidental damage, or to products used for other than their intended purpose. Normal wear parts such as Accessories, Attachments, or Electrical Components such as Fuses, Bulbs, Elements, and Switches carry a 90-Day Warranty only.

Bench Warranty (Machines Weighing 100 lb. or less)

Once the machine is Approved for Warranty Service, if the machine requires Warranty work in less than 30 days of purchase date, BakeMax will pay all shipping charges. Once the machine is received and repaired it will be returned to the user at BakeMax expense. Freight Damages during return shipping is the responsibility of the owner of the machine.

The following is not covered under the BakeMax Warranty:

1. Overtime Labor Rates are not covered by BakeMax.
2. All parts will be shipped via Ground Courier only; If Express Shipping is required, it will be the responsibility of the Customer or Dealer.
3. Travel for Warranty Service is covered up to 100 Miles /160 Km Roundtrip, any further mileage will be the responsibility of the Customer or Dealer.
4. There is no on-site Warranty Service for Residential Addresses or addresses outside of the contiguous United States (*Lower 48*) or Canada.

***BakeMax machines sold outside of the contiguous United States (Lower 48), or Canada will carry 1-Year Parts Warranty only.*

Terms & Conditions

Terms

Net 15 days subject to Credit Approval. All past due Accounts are subject to 2% per month Service Charge as per Credit Application. We accept Visa, MasterCard, and Discover Credit Cards. We also accept E-Transfer & Wire Transfer, additional fees may apply.

Pricing

All prices are subject to change without notice. All prices are Sales Tax Extra, should you be claiming Tax Exemption, Tax Exempt Forms must accompany your Purchase Order. BakeMax products are sold in Canadian and US Dollars. BakeMax is not responsible for specifications errors or printing errors.

Shipping

Free shipping to Canada and the U.S. Minimum order \$6,000 for BakeMax and \$10,000 for BakeMax America Cooking Line. Tailgate Delivery is \$90.00 minimum. All checks made Payable to Titan Ventures International Inc. BakeMax is not responsible for goods damaged during shipping. BakeMax is not responsible for any delays in delivery once product has left our Warehouse and is in the carrier's possession. Products shipped are to be inspected at time of delivery, the receiver is responsible for inspection. Damaged Freight Claims are to be claimed with the carrier. BakeMax assumes no responsibility for Damaged Freight. Shipping Insurance available by request. By signing your name on the delivery receipt without noting any damages, you are stating that you have received your shipment in Acceptable Condition.

Return Policy

Returns will not be Approved unless in Writing. Returns must be made within 30-Days of Purchase and must have a Return Authorization Number issued before returning. The purchase order number, reason for return, and the serial number(s) of the unit are required for the Return Authorization Number. Minimum return amount of \$100.00.

Returns are subject to a minimum restocking fee of 30%. The cost of any repairs or re-crating required will be charged back to the dealer. If there is a manufacturer's defect BakeMax® will pay standard freight returned and prepaid shipping back to the customer.

Special Order Items, Clearance / Discontinued Equipment, Parts, Refurbished/Demo Equipment, or Non-Standard items are not Returnable.

Ordering Information

Send purchase orders to BakeMax via e-mail orderdesk@bakemax.com or Fax (506-859-6929). Use Model or Part number when ordering including Voltage Requirements, and Product Description. Please include the Dealer, Name, Address, terms, special delivery, or instructions required or attention names to be applied to packaging. Please notify BakeMax should you need order confirmation or tracking numbers, by calling 1-800-565-2253 or email orderdesk@bakemax.com.

Special Terms and Conditions

BakeMax reserves the right to make improvements or equipment changes without prior permission. Setup and Installation are the end user's Responsibility. Failure to properly Install or Maintain Equipment may Void Warranty.

Catalog, Spec Sheets and Website

BakeMax is not liable for incorrect information found in our Catalog, Spec Sheets or Website. Please contact us to confirm specifications. Pictures and specifications are for general purposes only. Product may not be exactly as shown. Prices and availability may change at any time without notice. Dimensions shown may change at any time without notice.