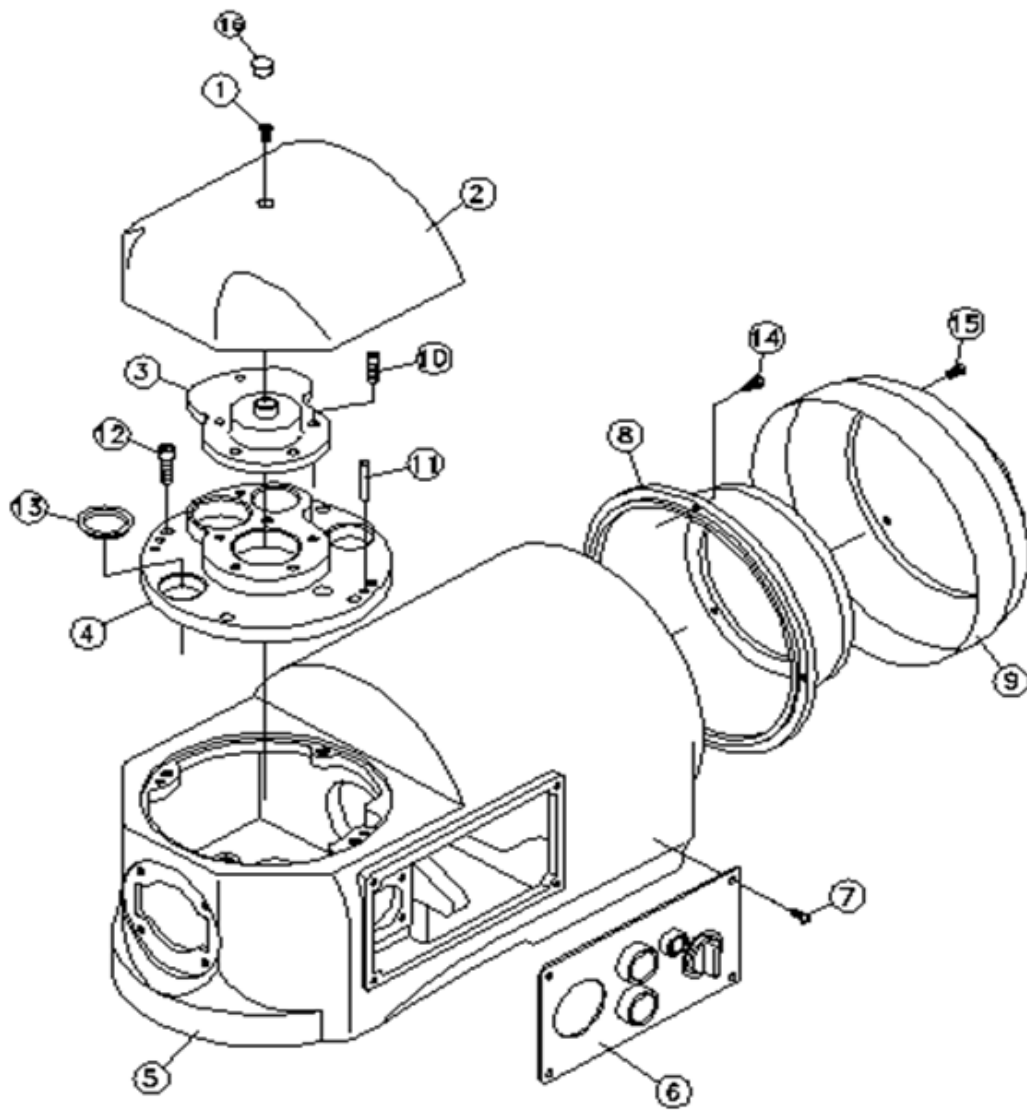


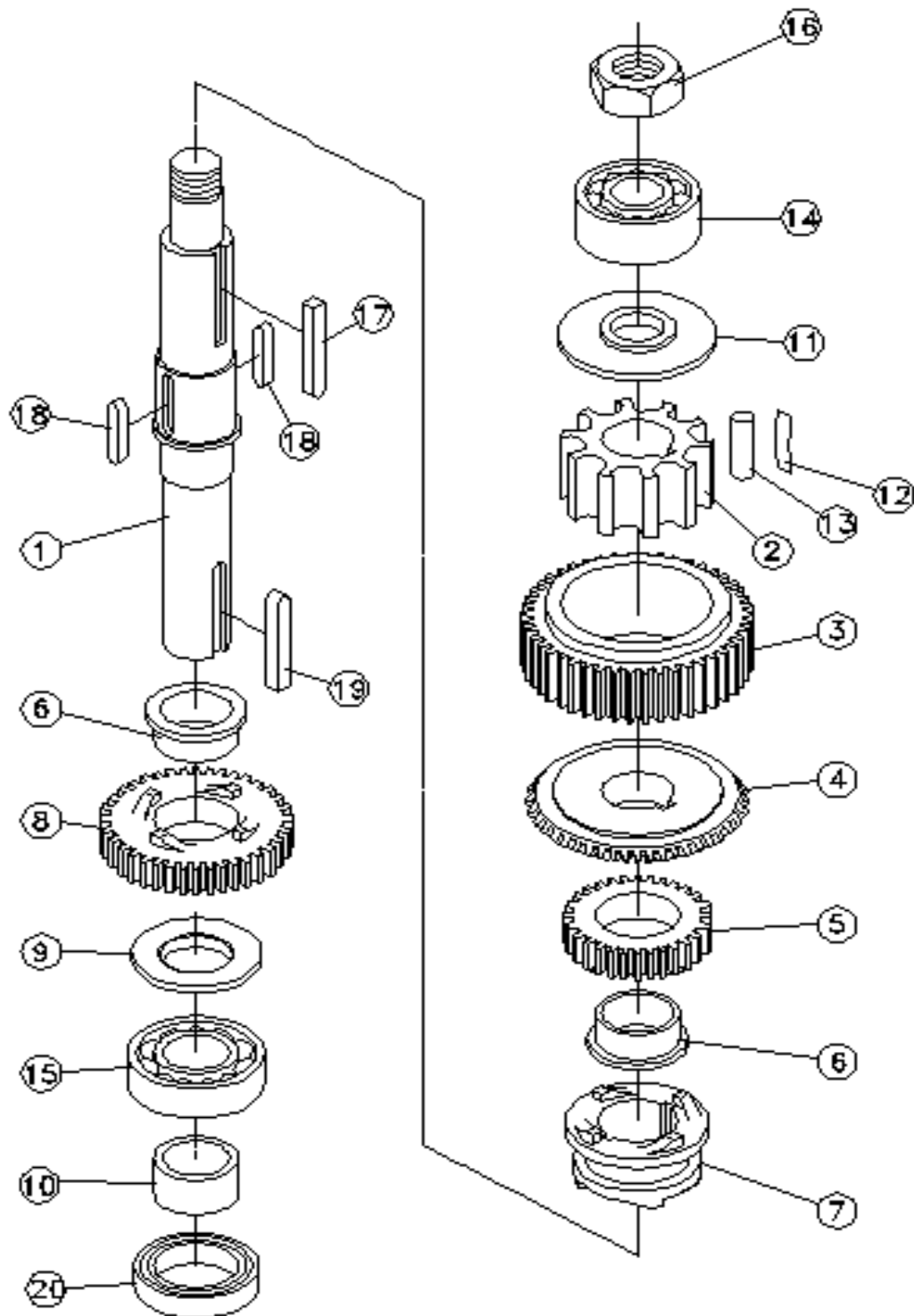
Figure 1. Transmission Case



	Description or Name	HL Part No.	Qty
1	Mach Screw W1/4" * L3/8"	S+R1/4*3/8	1
2	Upper Lid	11010-01-002	1
3	Planetary Bearing Retainer	11031-01-002	1
4	Gear Housing Cover	11031-01-004	1
5	Transmission Case	11030-01-005	1
6	Control panel A	11020-07-005A	1
6	Control panel B	11020-07-005B	1
7	Mach Screw 3/16*3/8	S+R3/16*3/8	7
8	Extension Cover	11030-01-008	1
9	Rear Cover	11030-05-001B	1
10	Bolt 1/4*5/8	S-1/4*5/8	5
11	Spring Pin 6*28	SPP-6*28	2
12	Bolt 5/16*1	S-5/16*1	4
13	Cover Plug	11012-01-003	1
14	Cap Screw 3/16*1/4	S-C-3/16*1/4	4
15	Mach Screw 3/16*1/4	S+R3/16*1/4	4
16	Plug	11030-01-016	1

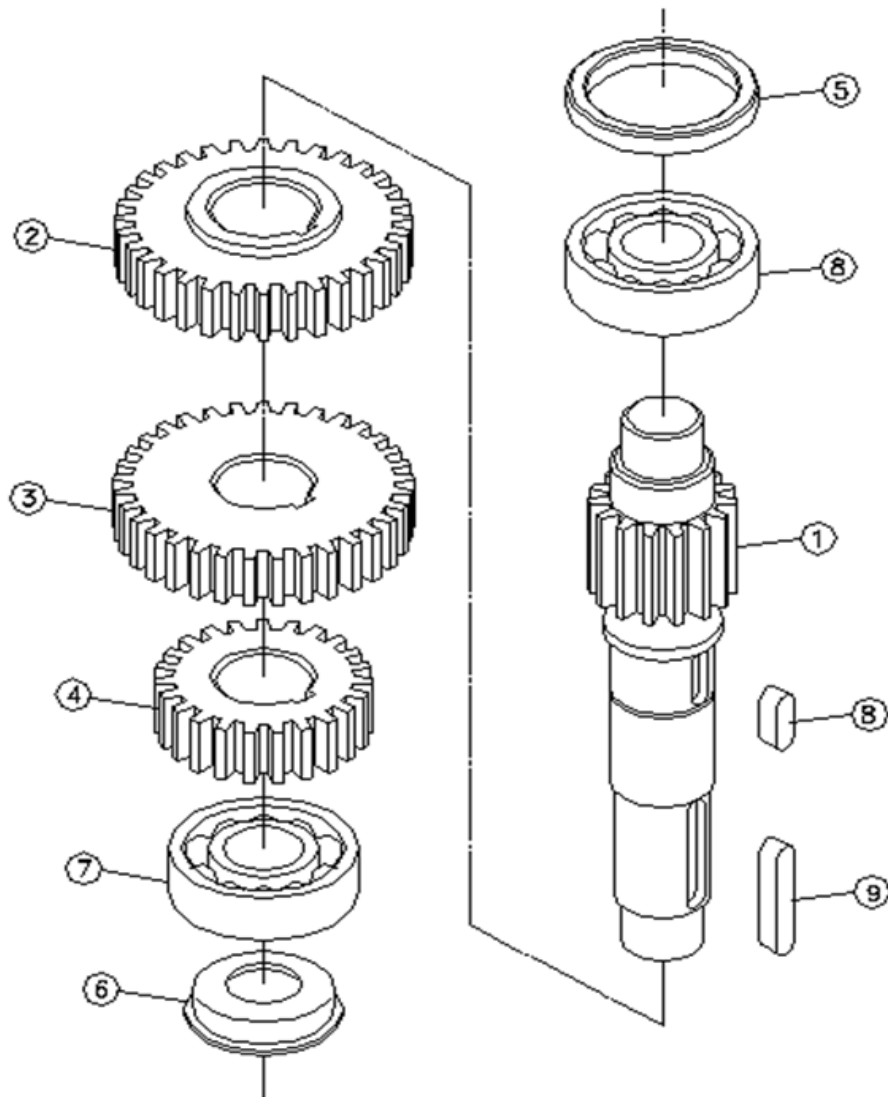
Figure 2. PLANETARY SHAFT

11030-02-000



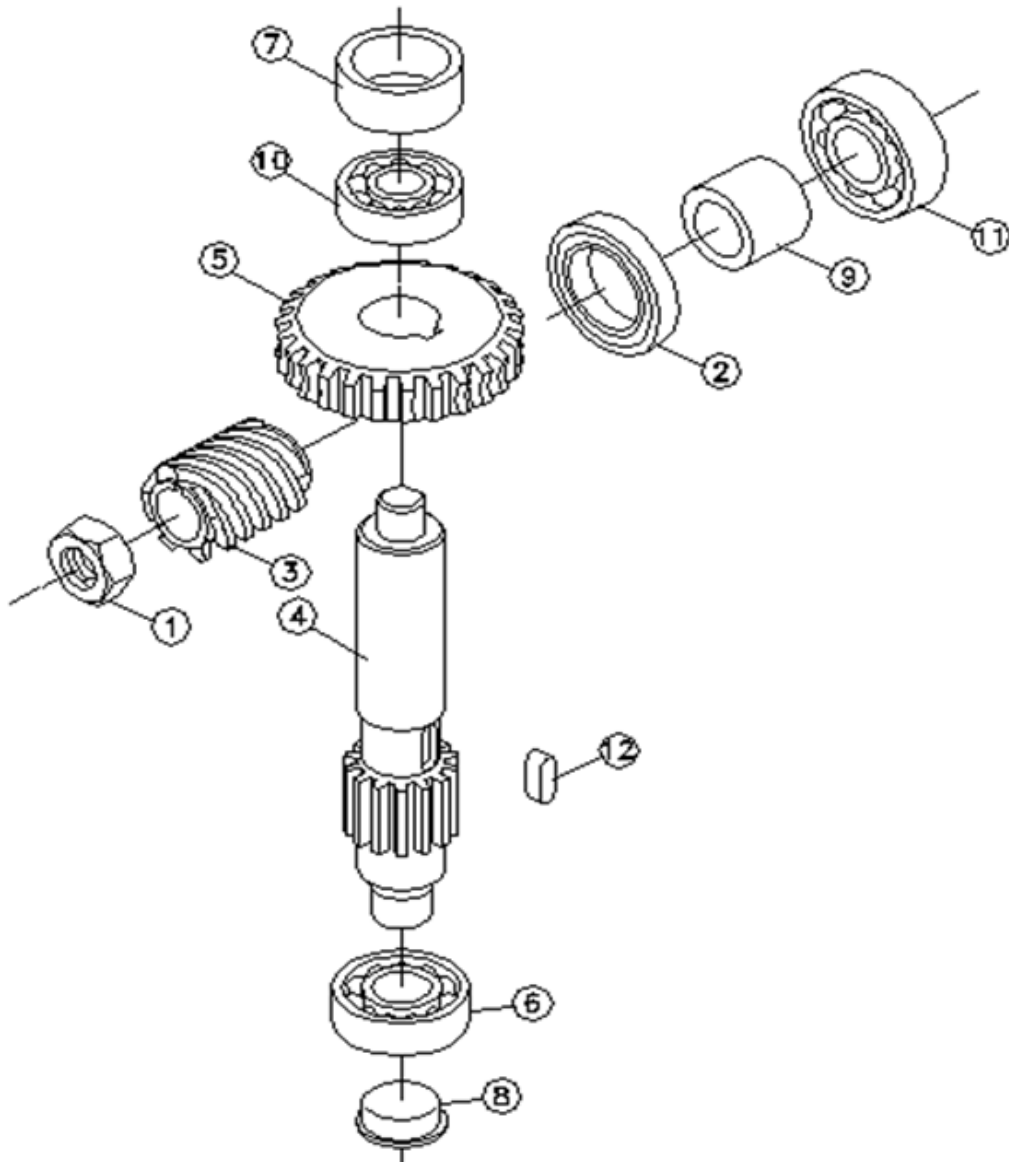
	Description or Name	Parts No.	Qty	Unit Price US\$	Remark
1	Planetary Shaft	11030-02-001	1		
2	Sleeve Drive	11031-02-002	1		
3	Low speed gear (52 T)	11030-02-003	1		
4	Bevel Gear (46 T)	11031-02-004	1		
4A	Washer	11031-02-004A	1		
5	High Speed Gear (32 T)	11030-02-005	1		
6	Copper Bearing	11031-02-006	2		
7	Clutch	11031-02-007	1		
8	Middle Speed Gear (44T)	11030-02-008	1		
9	Spacer	11031-02-009	1		
10	Spacer	11030-02-010	1		
11	Detain-Fixed Cover	11031-02-011	1		
12	Spring Sheet	11031-02-012	10		
13	Pin	11031-02-013	10		
14	Ball Bearing #6304Z	BR-6304Z	1		
15	Ball Bearing #6205Z	BR-6205Z	1		
16	Nut W3/4"*16NF-26*10	NUTLE-3/4*16NF-26*10	1		
17	Key 1/4*1/4*45L	KR-1/4*1/4*45	1		
18	Key 5 *5 *30L	KRR-5*5*30	2		
19	Key 1/4*1/4*45L	KR-1/4*1/4*45	1		
20	Oil Seal TC32x47x10	OS-TC32*47*10	1		

Figure 3. 11030-03TRANSMISSION SHAFT



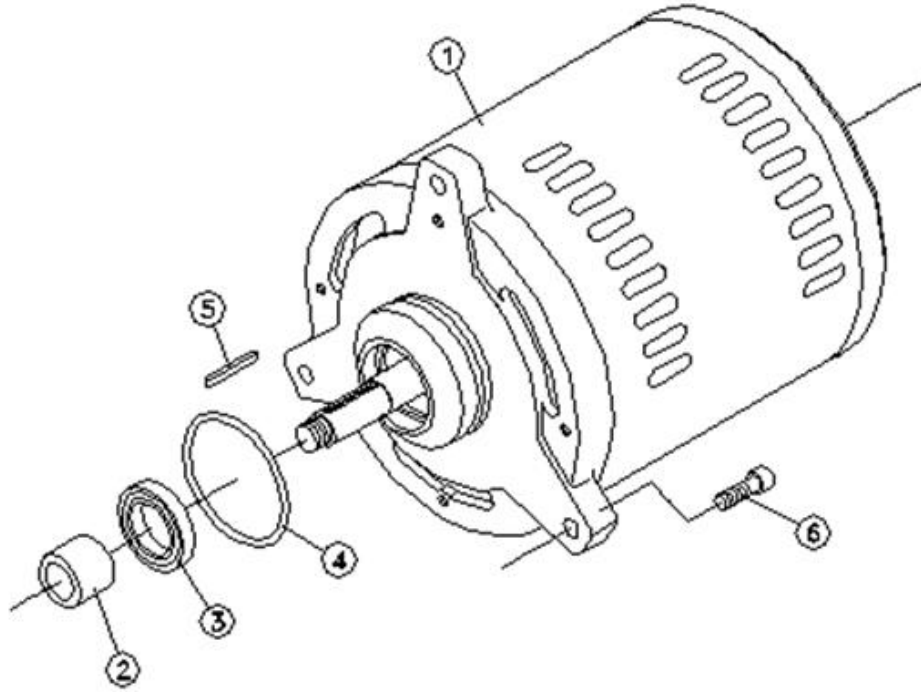
	Description or Name	Parts No.	Qty	Unit Price US\$	Remark
1	Shaft Gear (15 T)	11031-03-001	1		
2	Gear (32 T)	11031-03-002	1		
3	Gear (33 T)	11031-03-004	1		
4	Gear (23 T)	11031-03-005	1		
5	Spacer	11031-03-006	1		
6	Oil Baffle	11012-03-007	1		
7	Ball Bearing #6203Z	BR-6203Z	2		
8	Key 5''*5 ''*15L	KRR-5*5*15	1		
9	Key 5''*5 ''*30L	KRR-5*5*30	1		

Figure 4. 11030-04 WORM GEAR SHAFT



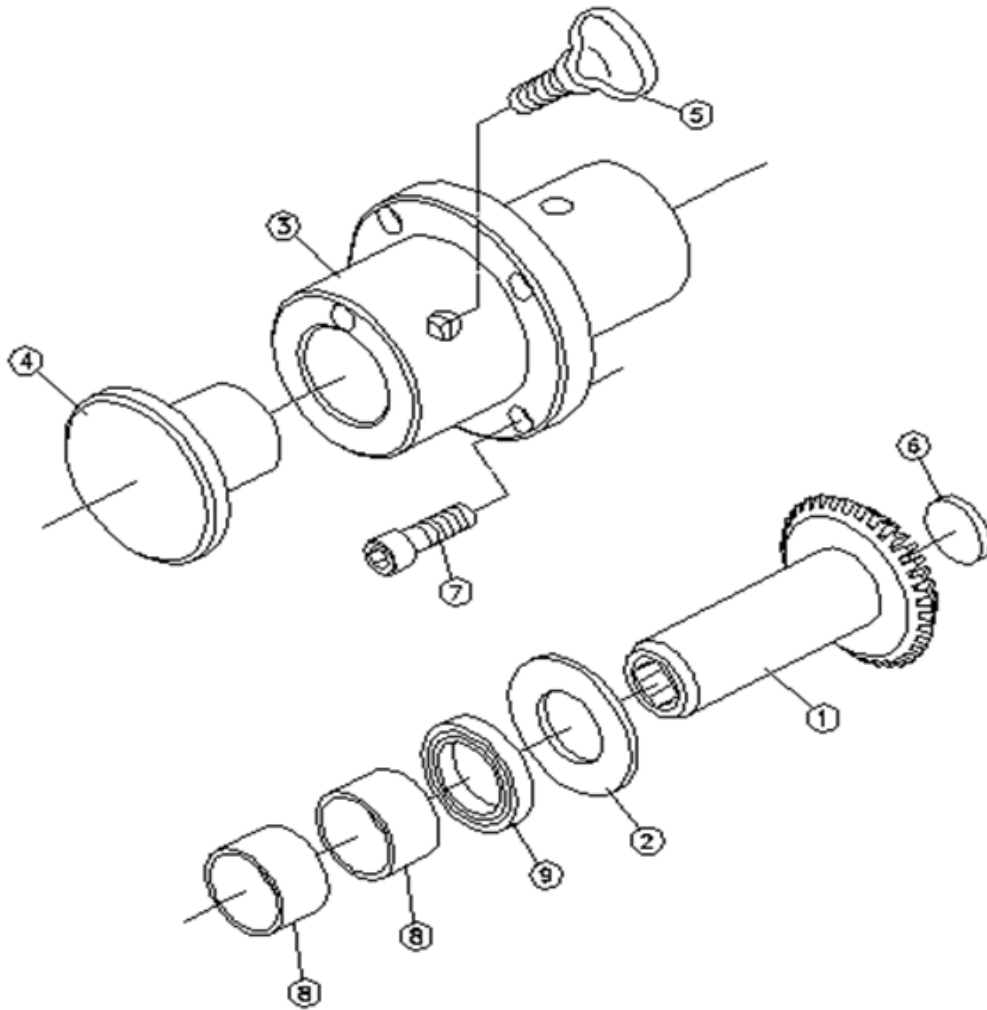
	Description or Name	Parts No.	Qty	Unit Price US\$	Remark
1	Nut W1/2"*20NF	NUT-1/2*20NF	1		
2	Oil Seal TC25*40*07	OS-TC25*40*07	1		
3	Worm (5 M)	11012-04-003	1		
	Worm (4 M)	11012-04-003A	1		
4	Worm Gear Shaft	11031-04-004	1		11031-04-004A
5	Worm Gear (5M)	11012-04-005	1		
	Worm Gear (4 M)	11012-04-005A	1		
6	Ball Bearing #6202Z	BR-6202Z	1		
7	Spacer	11031-04-007	1		
8	Oil Baffle	11012-04-008	1		
9	Spacer	11012-04-009	1		
10	Ball Bearing #6201Z	BR-6201Z	1		
11	Ball Bearing #6203ZZ	BR-6203ZZ	1		
12	Key 5*5*13"L	KRR-5*5*13	1		

Figure 5. MOTOR UNIT



	Description or Name	HL Part No.	Qty	Unit Price US\$	Remark
1	Motor	11030-05-001	1		
2	Spacer	GM20-04-009	1		
3	Oil Seal TC25*40*08	OS-TC25*40*08	1		
4	O-Type Snap Ring G60	OR-G60	1		
5	Key 3*3*28	KR-3*3*28	1		
6	Cap Screw 5/16*1-1/4	S-C-5/16*1-1/4	3		

Figure 6. 11030-06 ATTACHMENT HUB

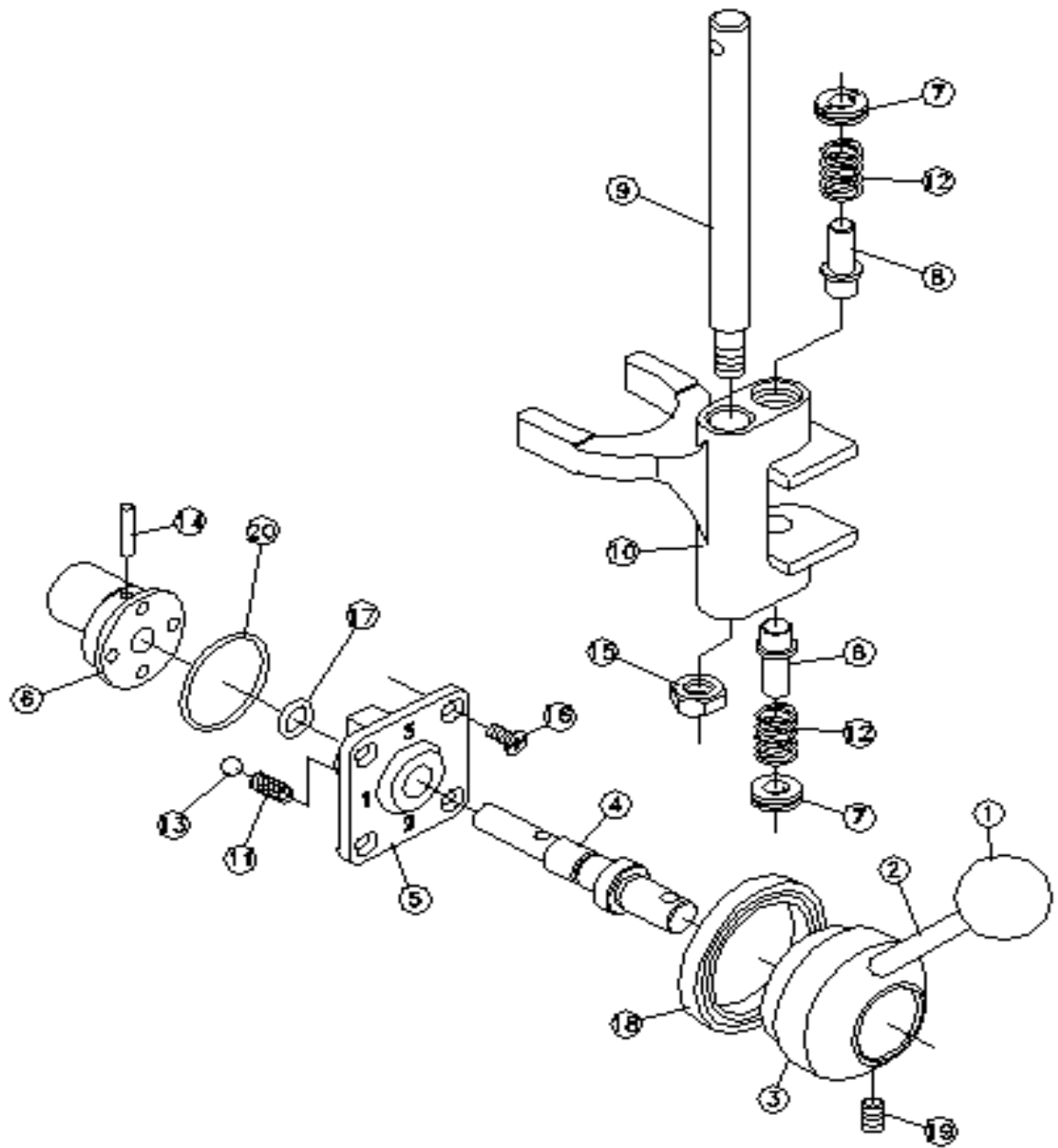


PARTS LIST of 11030-06ATTACHMENT HUB

	Description or Name	Parts No.	Qty	Unit Price US\$	Remark
1	Bevel Pinion (35T)	11012-06-001	1		
2	Spacer	11031-06-002	1		
	Spacer	11031-06-002A	1		
3	Hub Attachment	BM20-06-003	1		
4	Attachment Hole Plug	11091-06-004	1		
5	Thumb Screw	11031-06-005	1		
6	Oil Baffle	11012-06-006	1		
7	Cap Screw W1/4"*L3/4"	S-C-1/4*3/4	4		
8	Ball Bearing 3020	BR-3020	2		
9	Oil Seal TC30*45*08	OS-TC30*42*07	1		

Figure 7 11030-07 SHIFTING UNIT

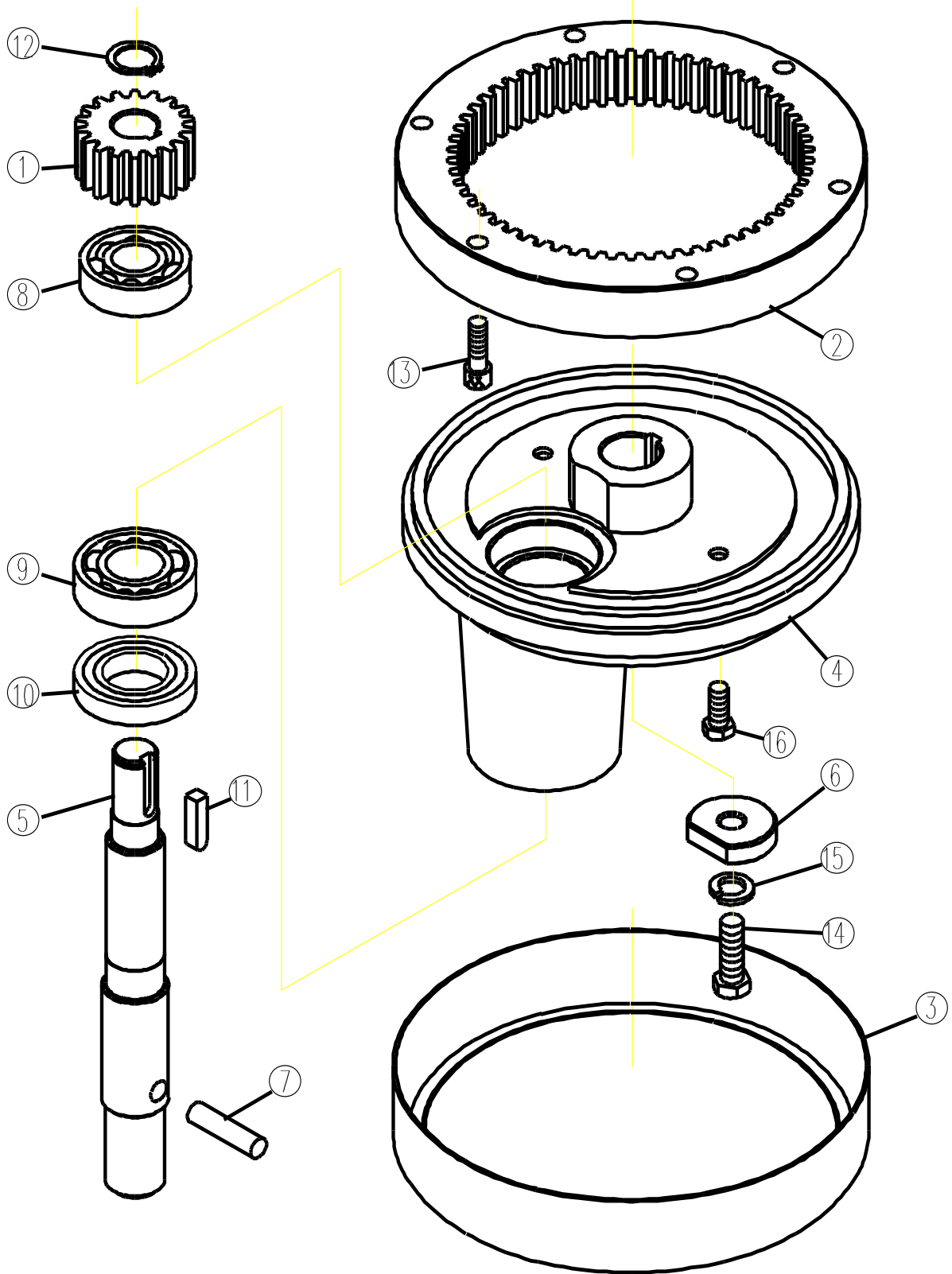
11031-07-000



PARTS LIST of 11030-07 SHIFTING UNIT

	Description or Name	Parts No.	Qty	Unit Price US\$	Remark
1	Shift Handle Knob	11031-07-001	1		
2	Shift Handle	11031-07-002	1		
3	Shift Handle Base	11031-07-003	1		
4	Eccentric Shift Shaft	11031-07-004	1		
5	Shift Selector	11012-07-005	1		
6	Eccentric Shaft	11012-07-006	1		
7	Screw	11031-07-007	2		
8	Shift Fork Plunger	11031-07-008	2		
9	Shifter Fixed Shaft	11031-07-009	1		
10	Shift Fork	11012-07-010	1		
11	Compression Spring	11031-07-011	2		
12	Compression Spring	11031-07-012	2		
13	Steel Ball Ø6	SB-6	2		
14	Tapered Pin #4*24L	TP-4*24	1		
15	Nut W3/8"*16NC	NUT-3/8*16NC	1		
16	Mach Screw W3/16"*L1/2"	S+F3/16*1/2	4		
17	O Ring P9	OR-P9	1		
18	Oil Seal TC45*62*09	OS-TC45*62*09	1		
19	Set Screw W3/16"*1/2L	S-S3/16*1/2	1		
20	O-Type Snap Ring 33.5*37.5*2	OR-33.5*37.5*2	1		

Figure 8. 11030-08 PLANETARY HEAD

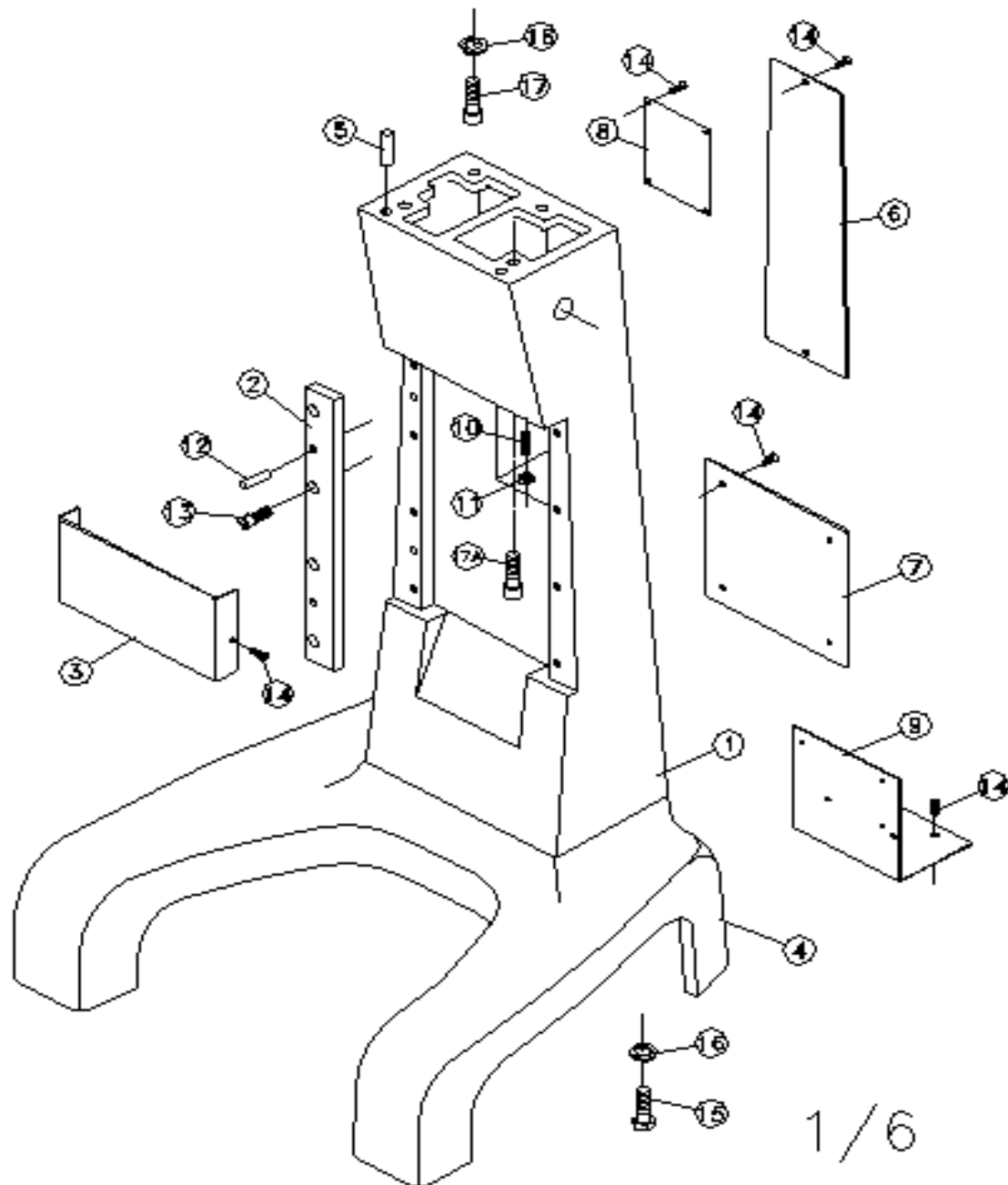


PARTS LIST of 11030-08 PLANETARY HEAD

	Description or Name	Parts No.	Qty	Unit Price US\$	Remark
1	Internal Pinion (19 T)	11031-08-001	1		
2	Internal Drive Gear (59T)	11031-08-002	1		
3	Head Ring	11031-08-003	1		
4	Planetary Head	11031-08-004	1		
5	Agitating Shaft	11031-08-005	1		
6	Spacer	11031-08-006	1		
7	Tapered Pin	11031-08-007	1		
8	Ball Bearing #6204Z	BR-6204Z	1		
9	Ball Bearing #6205Z	BR-6205Z	1		
10	Oil Seal TC28*52*10	OS-TC28*52*10	1		
11	Key 1/4"*1/4"*25L	KR-1/4*1/4*25	1		
12	C-type Snap Ring S19	CR-S19	1		
13	Cap Screw W5/16"*1"L	S-C-5/16*1	6		
14	Bolt W3/8"*1"L	S-3/8*1	1		
15	Spring Washer Ø3/8"	SW-3/8	1		
16	Bolt W1/2"*3/4"L	S-1/2*3/4	2		

Figure 9. 11030-09 BASE AND PEDESTAL

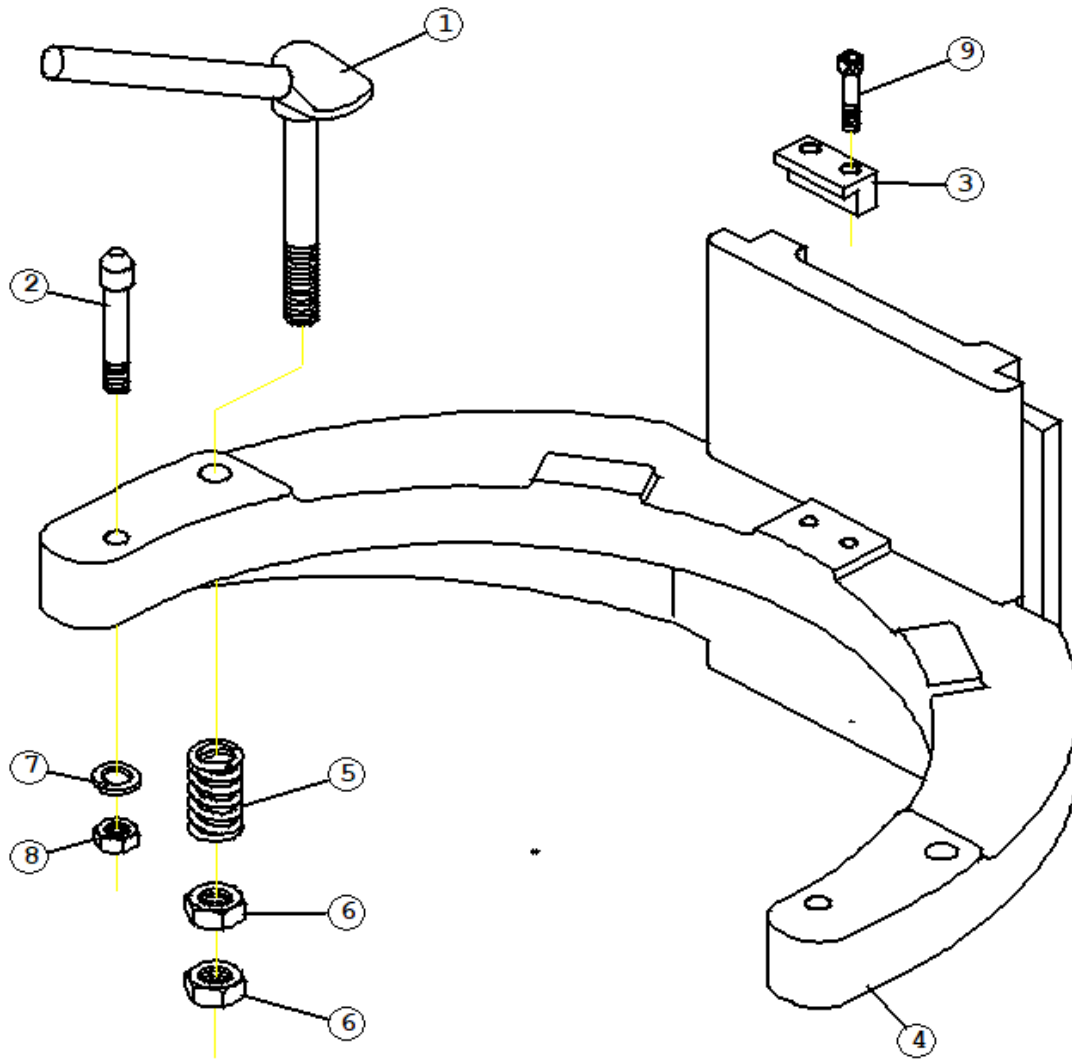
11031-09-000



PARTS LIST of 11030-09 BASE AND PEDESTAL

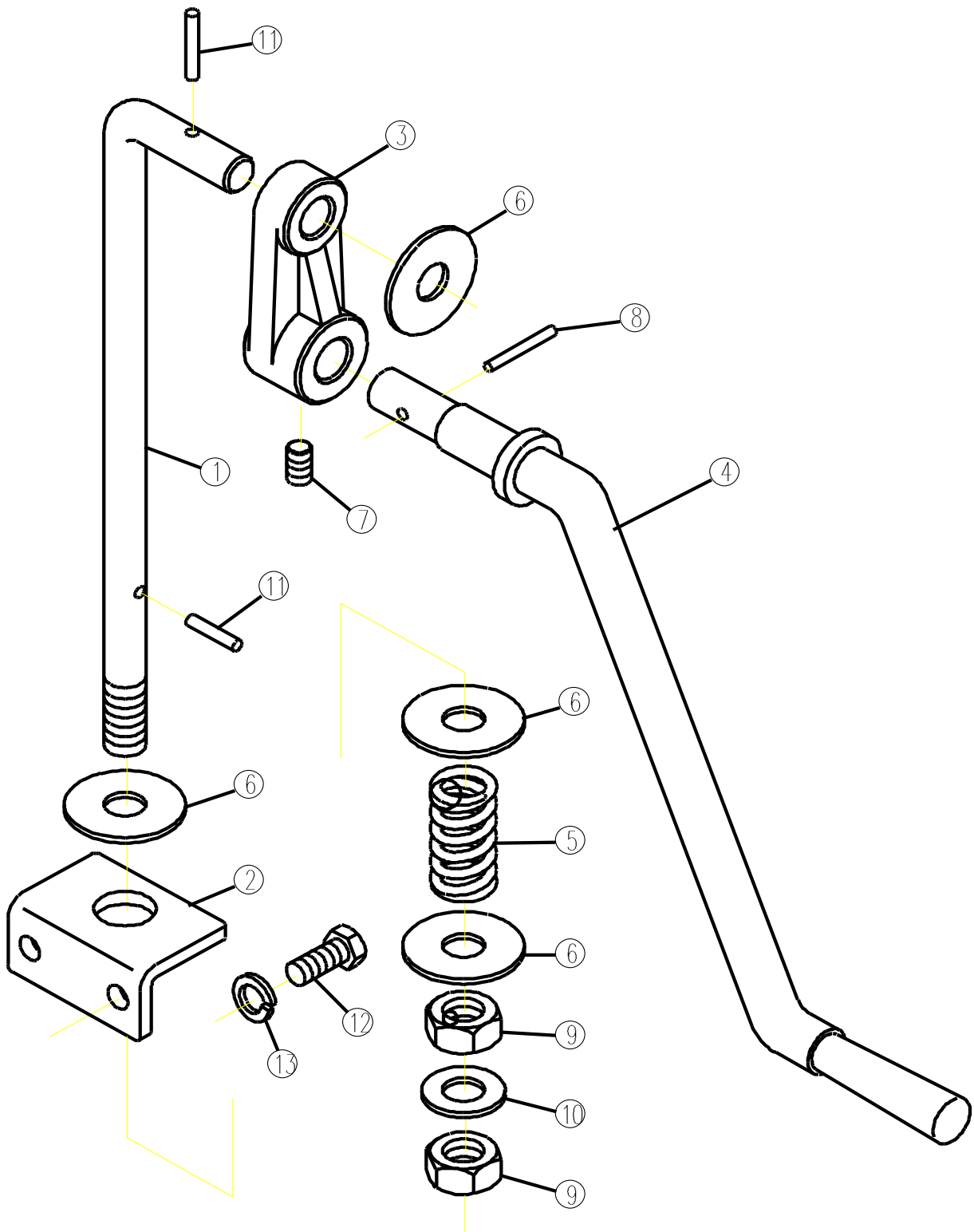
	Description or Name	Parts No.	Qty
1	Column	11031-09-001	1
2	Slideway	11031-09-002	2
3	Apron	11031-09-003	1
4	Base	11031-09-004	1
5	Spring Pin #10*24L	SPP-10*24	2
6	Column Cover A	11031-09-006	1
7	Column Cover B	11031-09-007	1
8	Specification Plate	11031-09-008	1
9	Seat of Contactor	11031-09-009	1
10	Set Screw W5/16"*1-1/4"L	S-S5/16*1-1/4	1
11	Nut W5/16*18NC	NUT-5/16*18NC	1
12	Spring Pin #8*24L	SPP-8*24	2
13	Cap Screw W5/16"*3/4"L	S-C-5/16*3/4	8
14	Mach Screw W3/16"*3/8"L	S+R3/16*3/8	14
15	Bolt W3*8"*1"L	S-3/8*1	4
16	Spring Washer Ø3/8"	SW-3/8	8
17	Cap Screw W3*8"*1-1/2L	S-C-3/8*1-1/2	2
17A	Bolt 3/8*1-1/2	S-3/8*1-1/2	2

Figure 10. 11030-10BOWL SUPPORT UNIT



	Description or Name	Parts No.	Qty	Unit Price US\$	Remark
1	Bowl Clamp (Left)	11031-10-001A	1		
	Bowl Clamp (Right)	11031-10-001B	1		
2	Bowl Locating Pin	11031-10-002	2		
3	Bowl Retainer	11031-10-003	1		
4	Bowl Support	11031-10-004	1		
5	Compression Spring	11031-10-005	2		
6	Nut W1/2"*12NC	NUT-1/2*12NC	4		
7	Spring Washer Ø3/8"	SW-3/8	2		
8	Nut W3/8"*16NC	NUT-3/8*16NC	2		
9	Bolt W1/4"*1"L	S-1/4*1	2		

Figure 11. 11030-11BOWL LIFTER UNIT



PARTS LIST of 11030-11 BOWL LIFTER UNIT

	Description or Name	Parts No.	Qty	Unit Price US\$	Remark
1	Lifting Bar	11031-11-001	1		
2	Lifting Handle Bracket	11031-11-002	1		
3	Inner Arm	11031-11-003	1		
4	Bowl Lift Handle	11012-11-004	1		
5	Compression Spring	11031-11-005	1		
6	Flat Washer	11031-11-006	4		
7	Set Screw W5/16"*3/8"L	S-S5/16*3/8	1		
8	Tapered Pin #4*32L	TP-4*32	1		
9	Nut W1/2*20NF	NUT-1/2*20NF	2		
10	Flat Washer Ø1/2"	WB-1/2	1		
11	Spring Pin #4*25L	SPP-4*25	2		
12	Cap Screw W5/16"*3/4"L	S-C-5/16*3/4	2		
13	Spring Washer Ø5/16"	SW-5/16	2		

Figure 12. STANDARD ACCESSORIES

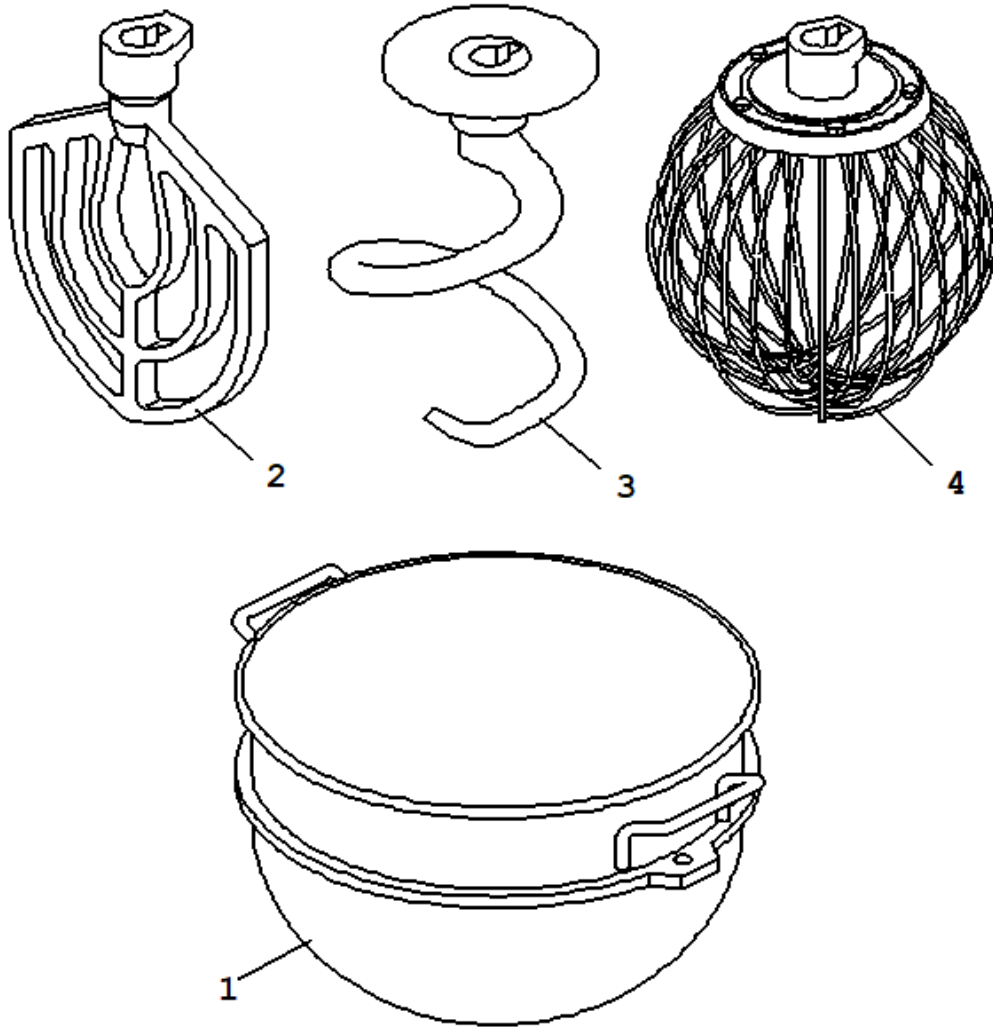
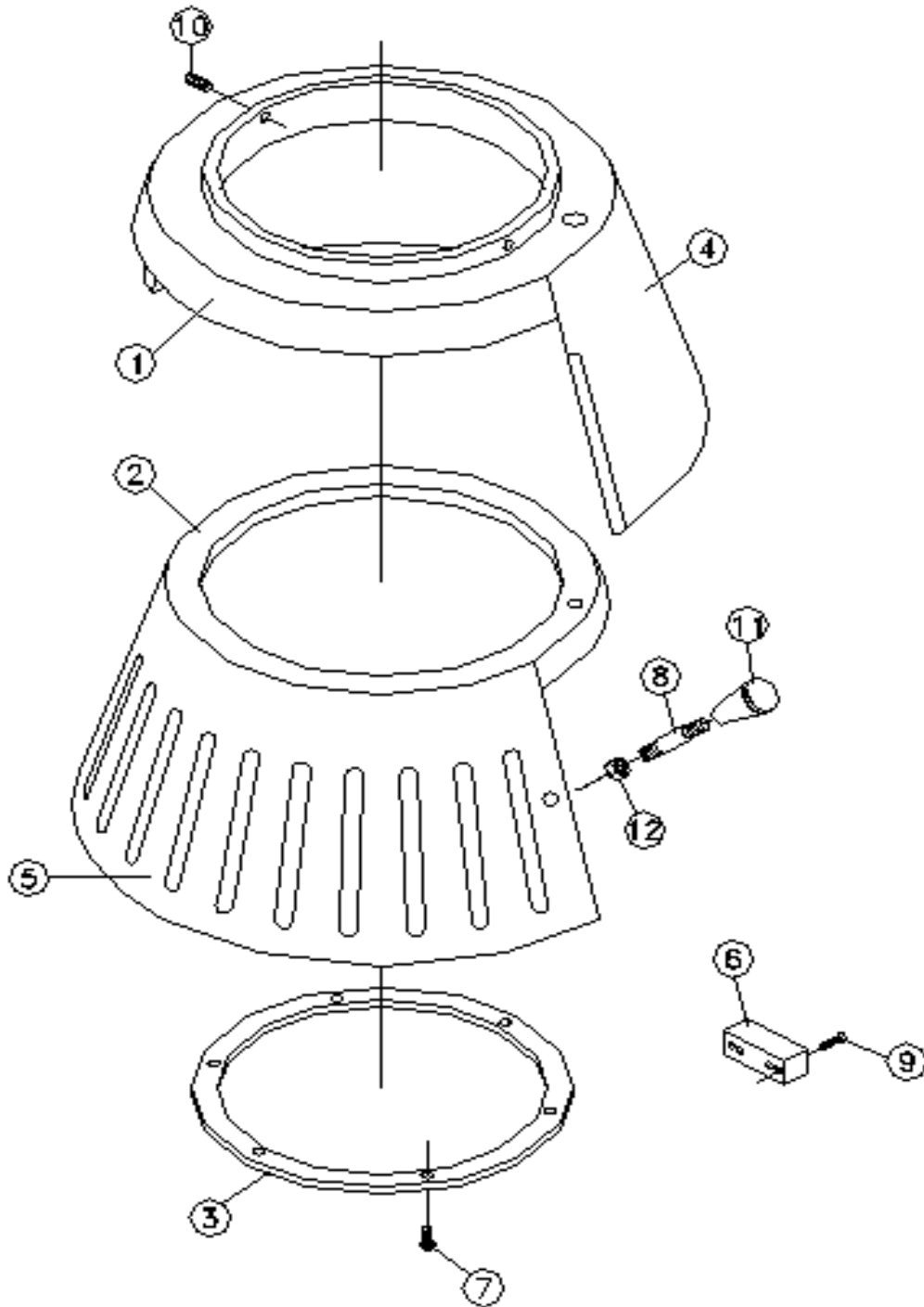


Figure 12. STANDARD ACCESSORIES

	Description or Name	HL Part No.	Qty	Unit Price US\$	Remark
1	SS Bowl	11031-12-001	1		
2	AL Flat Beater	11031-12-002	1		
3	AL Dough Hook	11031-12-003	1		
4	AL Wire Whip	11031-12-004	1		

Figure 13. 11030-13SAFETY GUARD UNIT

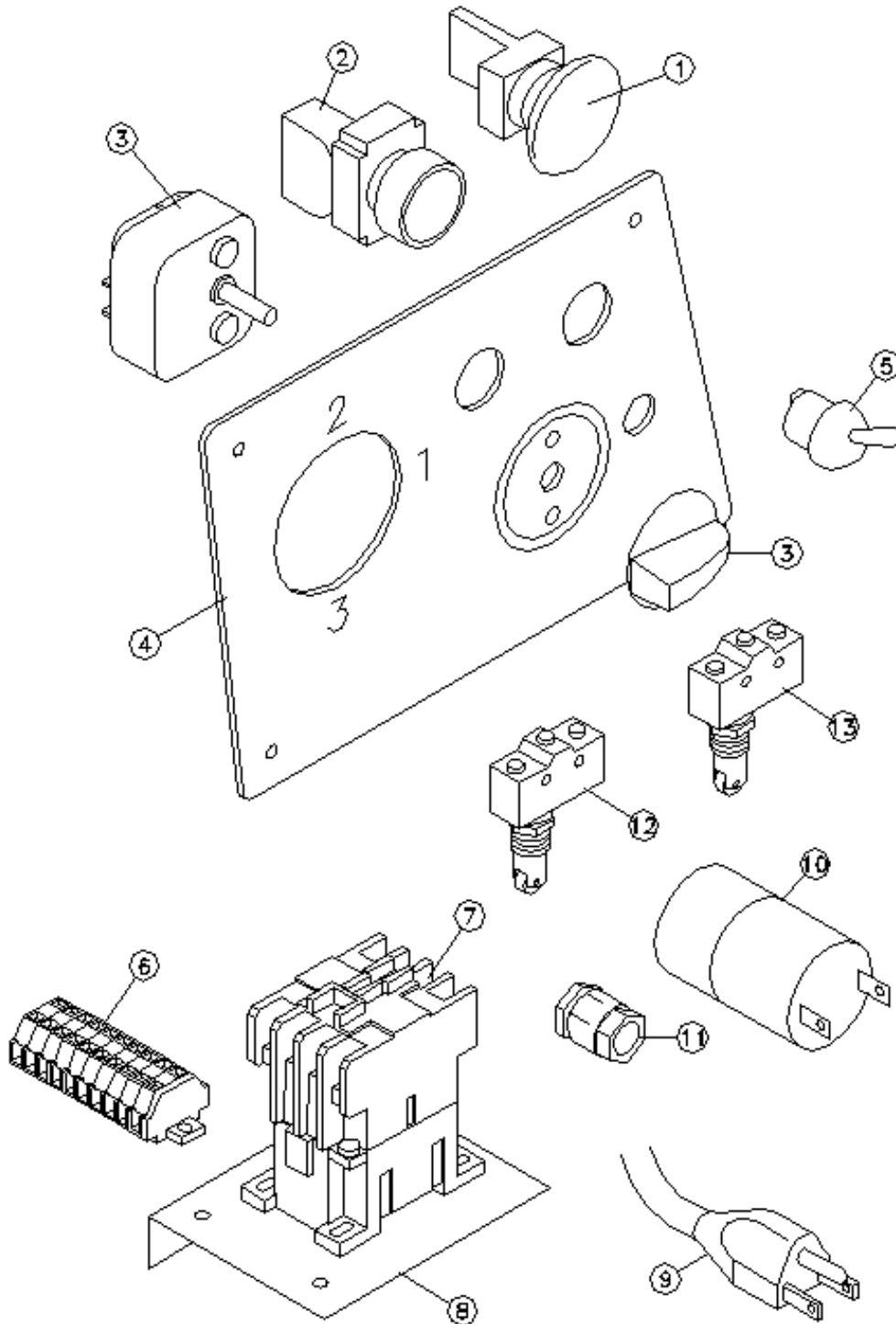
11031-13-000



PARTS LIST of 11030-13 SAFETY GUARD UNIT

	Description or Name	Parts No.	Qty	Unit Price US\$	Remark
1	Head Ring	11031-13-001	1		Welding together with 11031-13-004A
2	Moving Ring	11031-13-002	1		Welding together with 11031-13-005A
3	Fixed Ring	11031-13-003A	1		
4	Fixed Sheet	11031-13-004A	1		
5	Moving Sheet	11031-13-005A	1		
6	Seat of Limit Switch	11031-13-006	1		
7	Bolt 3/16*1/2	S-3/16*1/2	6		
8	Handle	11012-07-002	1		
9	Mach Screw 3/16*1/2	S+F3/16*1/2	2		
10	Set Screw W5/16**3/8"L	S-S5/16*3/8	2		
11	Handle Knob	11012-07-001	1		
12	Nut W5/16**18NC	NUT-5/16*18NC	1		

Figure 14 11031-E-000 Electrical Parts



PARTS LIST of 11031-E-000 Electrical Parts

	Description or Name	Parts No.	Qty	Unit Price US\$	Remark
1	Emergency Stop	TE XB2 ES542	1		
2	Button Switch	TE XB7 EA31	1		
3	Timer	T85 TYP600	1		Optional
4	Control Panel (Timer Type)	11031-01-007A	1		
	Control Panel	11031-01-007B	1		
5	Toggle Switch	AT-16-13	1		Optional
6	Terminal Block	WAGO 261-301	10		
7	Contactora	CN18 100-120V	1		
	Contactora	CN16 208V-240V	1		
	Contactora	CN11 380V	1		
	Contactora	CN11 415V	1		
	Contactora	CN11 440V	1		
8	Seat of Contactora	11031-09-009	1		
9	Power Cable 220-240V	Cable-12-3C-CE	1		Single phase
	Power Cable 380-415V	Cable-12-4C-CE	1		Three phase
10	Capacitor	CP-300MFD/250V	1		Single phase only
11	Collar	CG-20	1		
12	Limit Switch of Guard	Z15GQ22B	1		
13	Limit Switch of Lifter	Z15GQ22B	1		