



Parts Breakdown

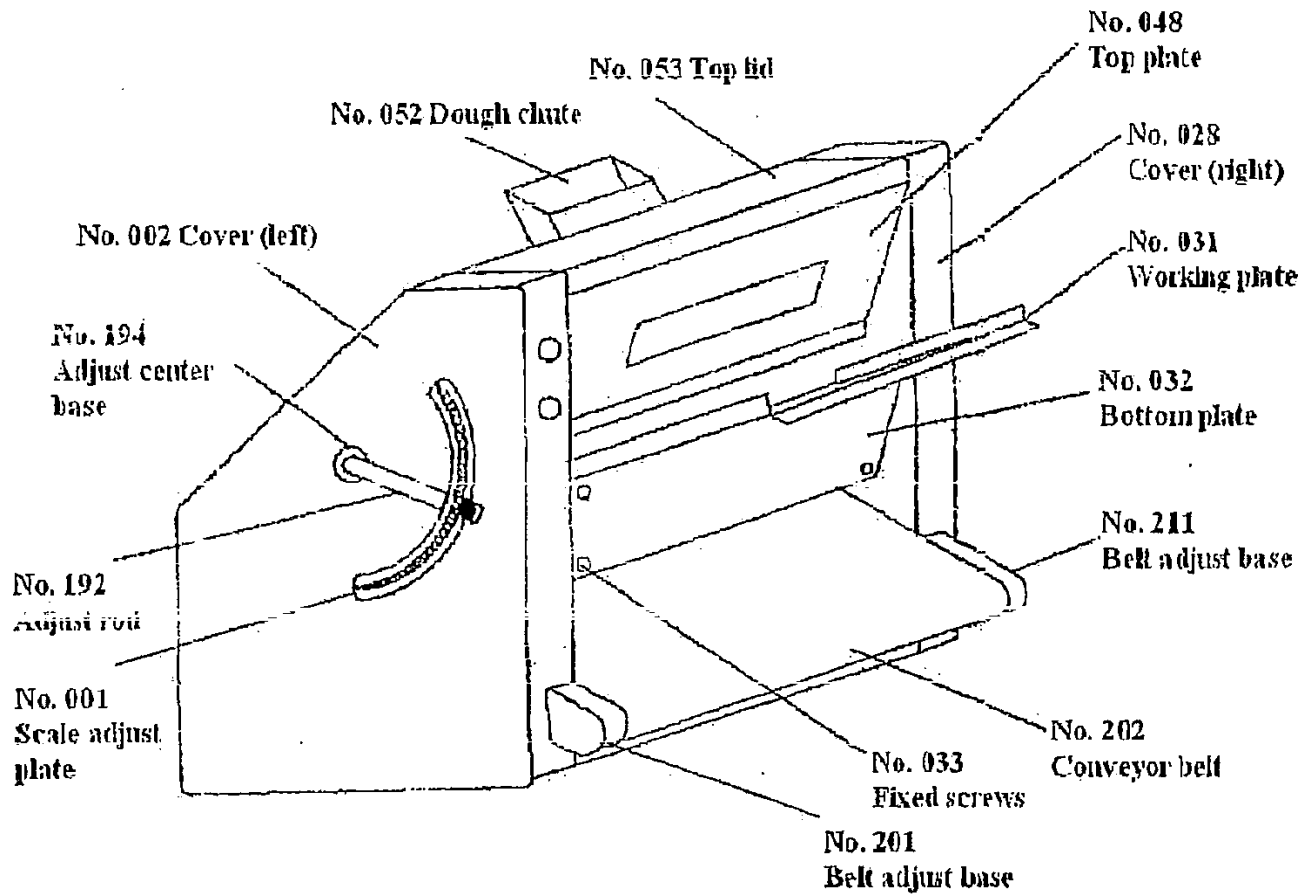
BMPS001

Two Pass Pizza Sheeter



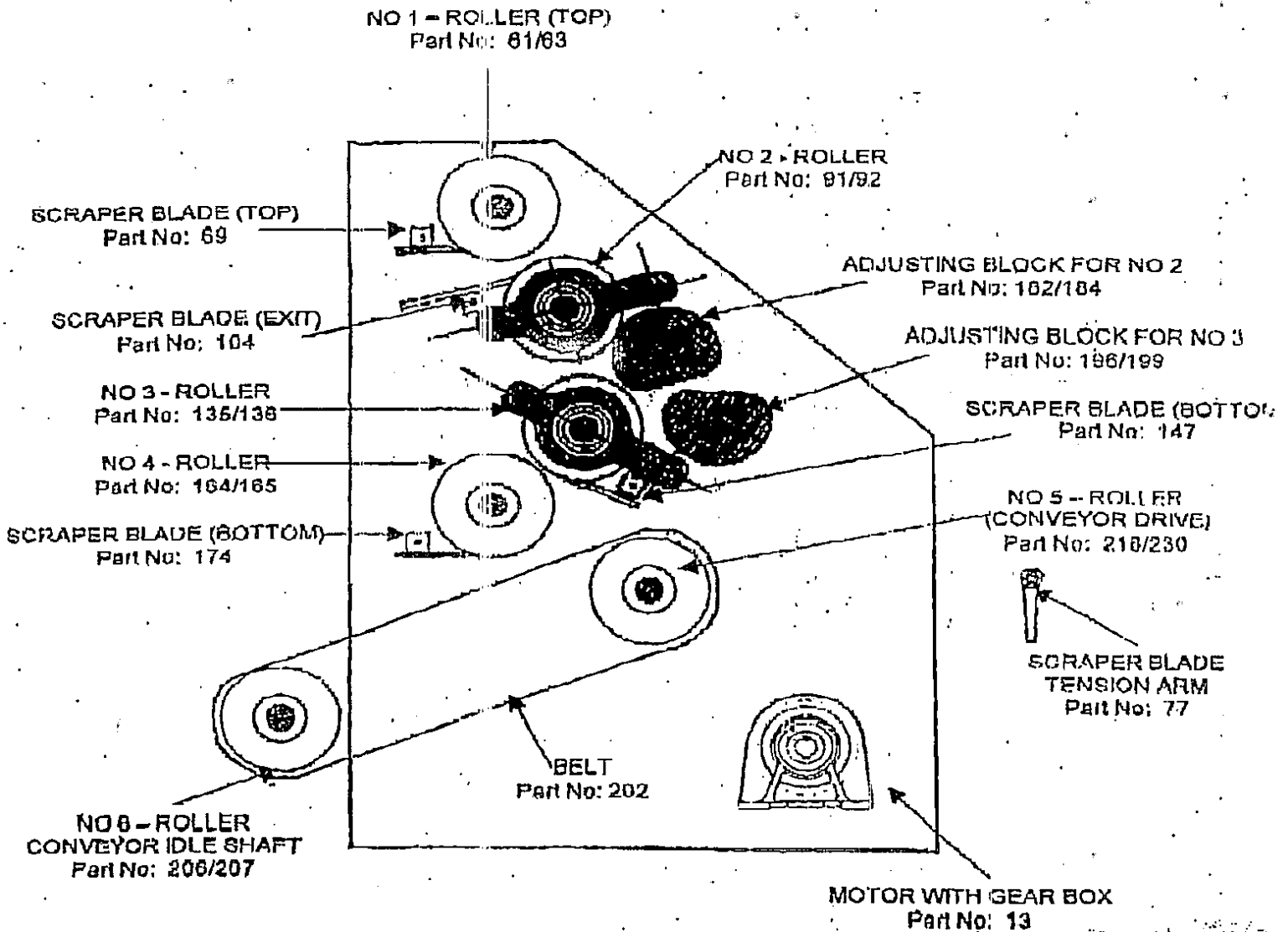
WARNING: PLEASE READ AND FOLLOW THE INSTRUCTIONS BELOW BEFORE OPERATING PRODUCT

- When using the machine, please confirm that you have read all the instructions within this manual.
- Beware of any child/children or any other persons who are near the machine before operating.
- Do not put hand near moving parts.
- Remove all obstacles, which may interfere with machine functions.
- Keep work area clean and clear of clutter.
- Do not sit or stand on machine
- Do not wear loose cloth or jewellery when operating machine as it may get caught in moving parts and cause injury
- When the machine is abnormal or broken, you should stop using and check it or have it checked by a professional.
- Disconnect from power source before performing maintenance on the machine.
- When machine is not in use, please clean and store properly.
- Do not place any electrical parts or plug/cord in water.
- The cord should be away from the heat.
- Don't hang out the cord on the desk or cabinet.
- Machine may have sharp or pointed edges, use caution when cleaning.
- This machine should only be operated by personnel who can read, understand and respect warnings and instructions regarding this machine and the manual.
- Keep this manual in a safe place for further and regular reference and ordering parts.
- Please write model serial and date of purchase of your machine in the space provided in case you will need to order parts in the future.
- Always work by security code of your country, state, province, city or committee of your work place.



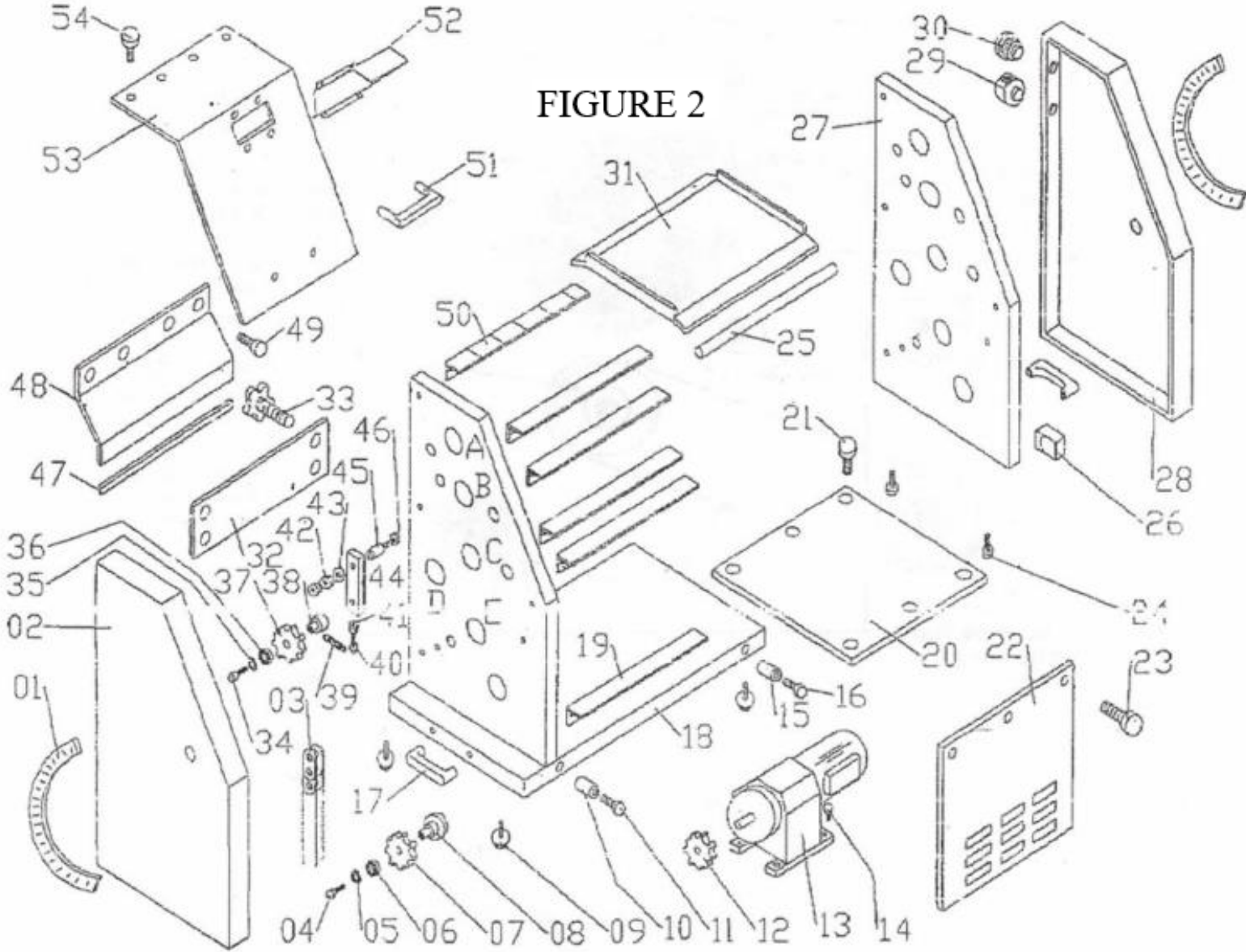
No.	Description	Qty	No.	Description	Qty
001	THICKNESS ADJUST PLATE	2	052	DOUGH CHUTE	1
002	LEFT COVER	1	053	TOP LID	1
028	RIGHT COVER	1	192	ADJUSTMENT ROD	1
031	WORKING/SLIDE ST PLATE	1	194	RING	1
032	ACRYLIC PROTECT PLATE	1	201	PULLEY FIXED SUPPORT	1
033	FIXED SCREW	4	211	BELT FIXED SUPPORT	1
048	ACRYLIC COVER	1			

FIGURE 1



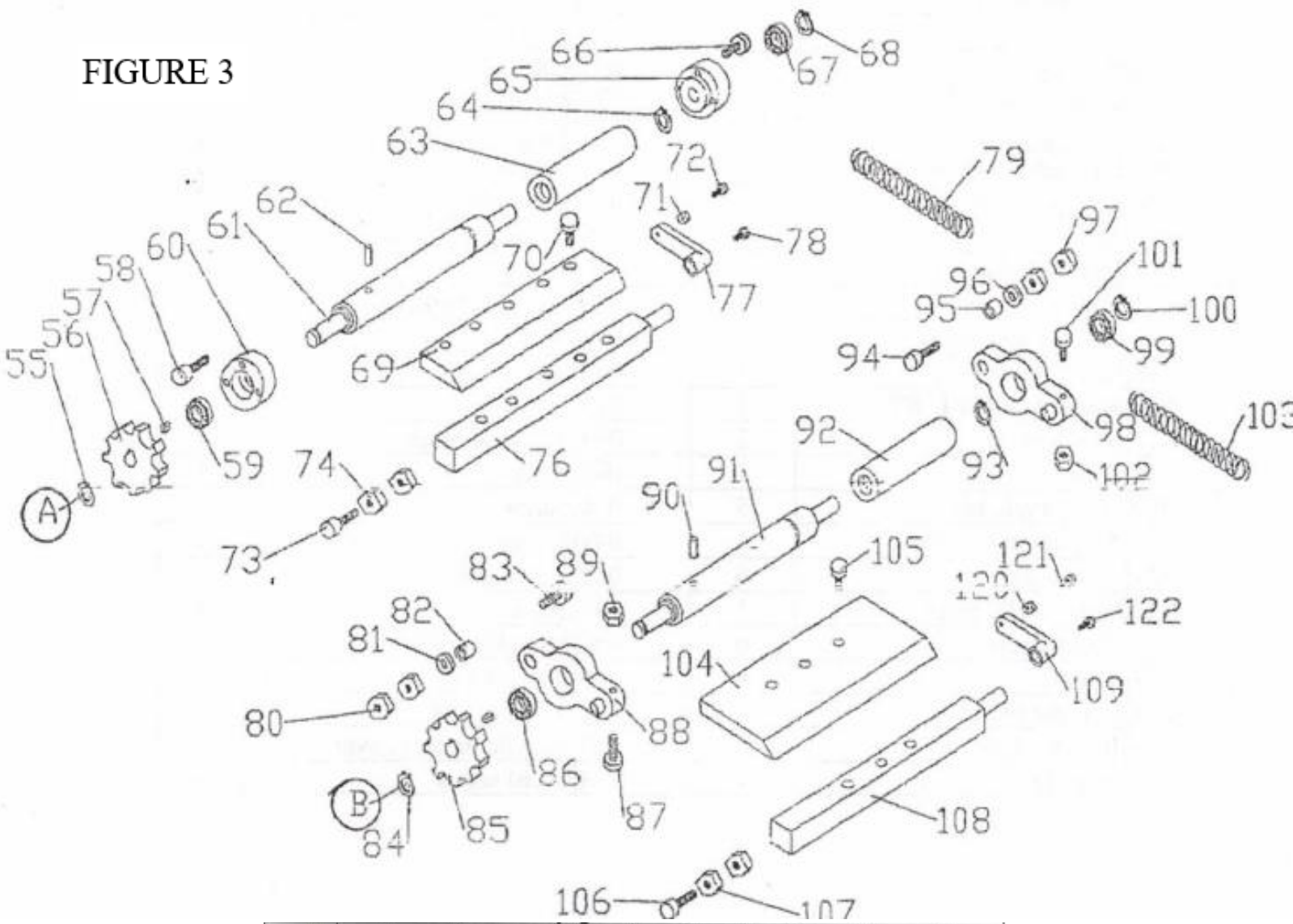
No.	Description	Qty	No.	Description	Qty
013	MOTOR	1	136	LONG LOWER ROLLER	1
063	SHORT UPPER ROLLER	1	164	LONG LOWER ROLLER	1
069	TOP SCRAPER	1	165	LONG LOWER ROLLER	1
077	SCRAPER BLADE TENSION ARM		196	ADJUSTING BLOCK	1
081	SHORT UPPER ROLLER	1	206	FRONT IDLER PULLEY	1
091	SHORT UPPER ROLLER	1	207	IDLER PULLEY SHAFT	1
092	SHORT UPPER ROLLER	1	218	BELT DRIVE ROLLER	1
104	SCRAPER FOR EXIT	2	230	BELT DRIVE ROLLER	1
135	LONG LOWER ROLLER	1			

FIGURE 2



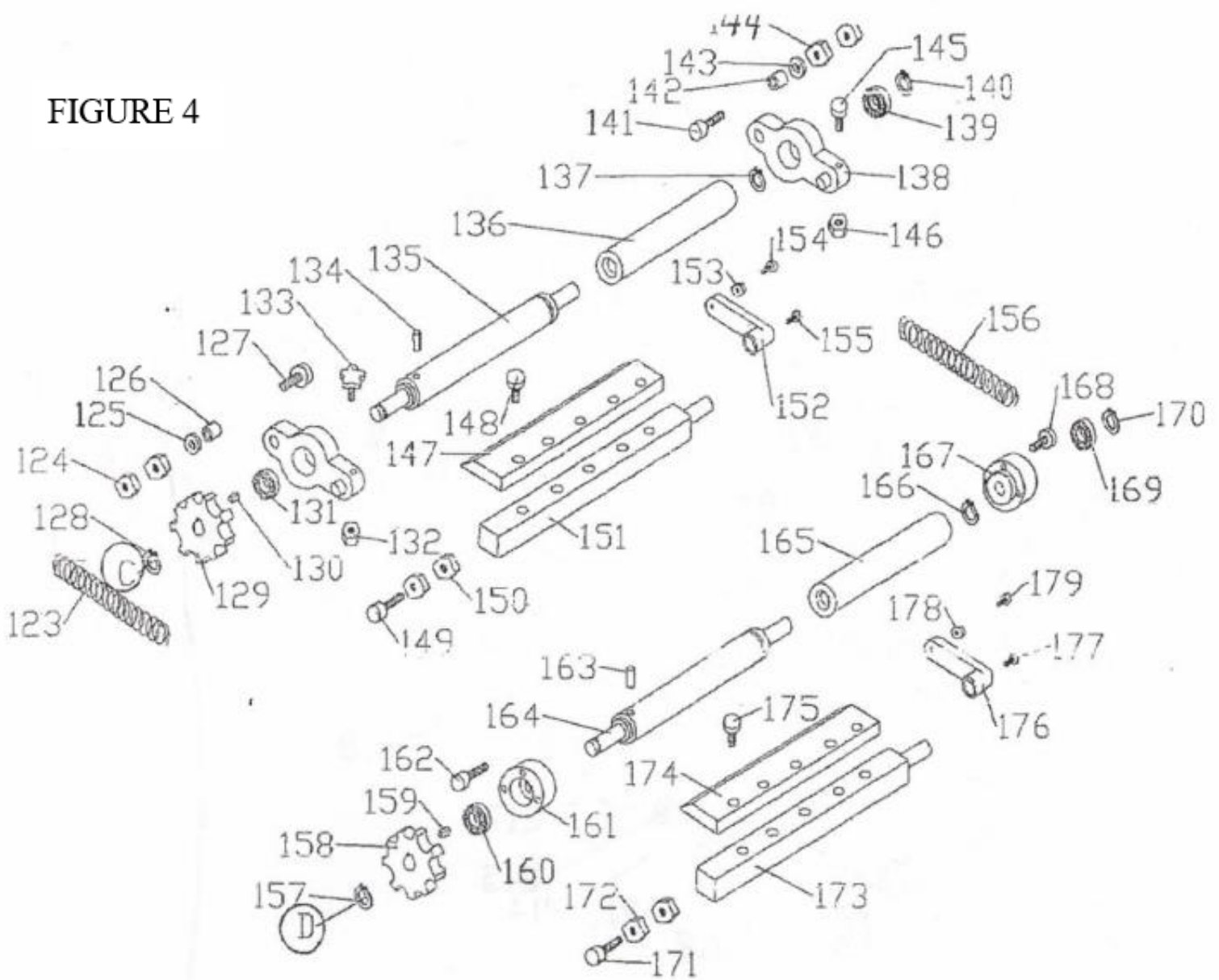
No	Name of Parts	Qty	No.	Name of Parts	Qty
001	Scale adjust plate	2	028	Cover (right)	1
002	Cover (left)	1	029	Start switch	1
003	Chain	1	030	Stop switch	1
004	Screw (M10)	1	031	Slide ST plate	1
005	Ring	1	032	Acrylic protect plate	1
006	Bearing	1	033	Fixed screw	4
007	Chain Gear 15T	1	034	Screw M10 x 30L	1
008	Bearing support	1	035	Ring	1
009	Base adjust screw	1	036	Bearing	1
010	Rear protect bush	1	037	Chain gear 15T	1
011	Screw M6 xSOL ST	1	038	Chain gear support	1
012	Motor chain gear 35T	1	039	Spring	1
013	Motor	1	040	Screw 6 x 30L	1
014	Motor fixed screw	4	041	Nut-	1
015	Rear protect bolt	1	042	Nut	1
016	Screw M6 x 50L ST	1	043	Washer	1
017	Bow handle	2	044	Movable block	1
018	Base	1	045	Bush	1
019	Fixed angle bar	5	046	Screw	1
020	Acrylic protect plane	1	047	PE bar	1
021	Fixed screw,	6	048	Acrylic cover	1
022	Rear acrylic plate	1	049	Screw	4
023	Fixed screw	6	050	Movable rear buckle	1
024	Screw	4	051	Bow handle	1
025	Chrome round rod	1	052	ST slide slot	1
026	Junction box	1	053	Acrylic protect cover	1
027	Side plate	1	054	Fixed screw	4

FIGURE 3



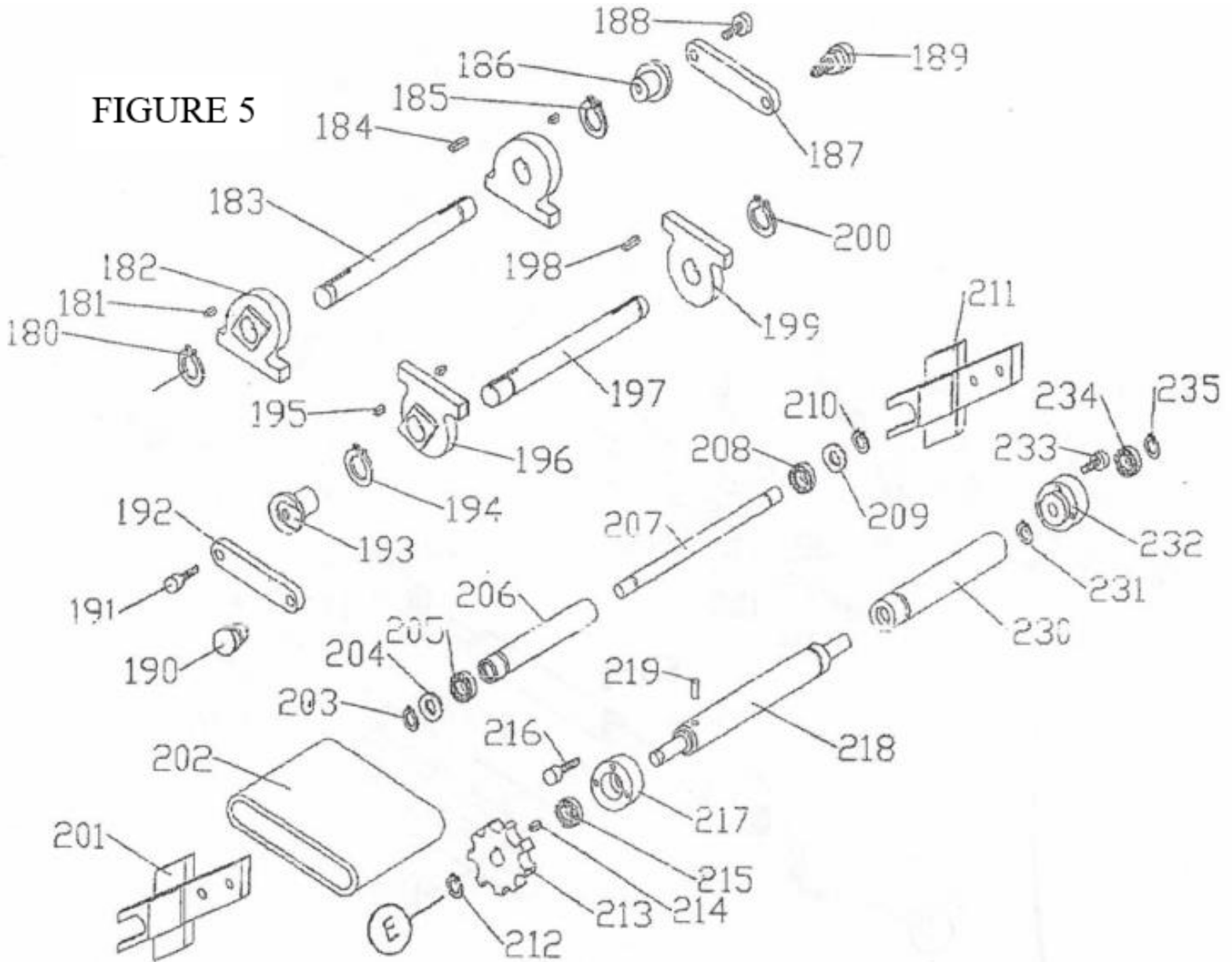
No	Name of Part	Q'ty	No.	Name of Parts	Q'ty
055	Ring	1	085	Chain gear 18T	1
056	Chain gear 18T	1	086	Bearing	1
057	Key	1	087	Adjust screw	1
058	Screw	1	088	Bearing support	1
059	Bearing	1	089	Nut	1
060	Bearing support	1	090	Cotter pin	1
061	Shaft (No. 1)	1	091	Shaft (No. 2)	2
062	Cotter pin	1	092	UPE roller (No. 2)	2
063	UPE roller (No. 1)	1	093	Ring	1
064	Ring	1	094	Screw	1
065	Bearing support	1	095	Bush	1
066	Screw	3	096	Washer	1
067	Bearing	1	097	Nut	2
068	Ring	1	098	Bearing support	1
069	Scraper	1	099	Bearing	1
070	Screw		100	Ring	1
071	Nut	1	101	Screw	1
072	Screw	1	102	Nut	1
073	Screw	1	103	Spring	1
074	Nut	2	104	Scraper	1
076	Scraper fixed rod	1	105	Screw	7
077	Scraper tension arms	1	106	Screw	1
078	Screw	1	107	Nut	2
079	Spring	1	108	Scraper fixed rod	1
080	Nut	2	109	Scraper tension arms	1
081	Washer	1	120	Nut	1
082	Bush	1	121	Screw	1
083	Screw	1	122	Screw	1
084	Ring	1			

FIGURE 4



No	Name of Parts	Q'ty	No	Name of Parts	Q'ty
123	Spring	1	152	Scraper tension arms	1
124	Nut	2	153	Nut	1
125	Washer	1	154	Screw	1
126	Bush	1	155	Screw	1
127	Screw	1	156	Spring	1
128	Ring	1	157	Ring	1
129	Chain gear 18T	1	158	Chain gear 18T	1
130	Key	1	159	Key	1
131	Bearing	1	160	Bearing	1
132	Nut	1	161	Bearing support	1
133	Screw	1	162	Screw	3
134	Cotter pin	1	163	Cotter pin	1
135	Shaft (No. 3)	1	164	Shaft (No. 4)	1
136	UPE roller (No. 3)	1	165	UPE roller (No. 4)	1
137	Ring	1	166	Ring	1
138	Bearing support	1	167	Bearing support	1
139	Bearing	1	168	Screw	3
140	Ring	1	169	Bearing	1
141	Screw	1	170	Ring	1
142	Bush	1	171	Screw	1
143	Wash	1	172	Nut	2
144	Nut	2	173	Scraper fixed rod	1
145	Screw	1	174	Scraper	1
146	Nut	1	175	Screw	9
147	Scraper	1	176	Scraper tension arms	1
148	Screw	9	177	Screw	1
149	Screw	1	178	Nut	1
150	Nut	2	179	Screw	1
151	Scraper fixed rod	1			

FIGURE 5



No	Name of Parts	Q'ty	No	Name of Parts	Q'ty
180	Ring	1	203	Ring	1
181	Key	1	204	Washer	1
182	Adjust block	2	205	Bearing	1
183	Adjust shaft	1	206	Front pulley	1
184	Key	1	207	Pulley shaft	1
185	Ring	1	208	Bearing	1
186	Adjust fixed support	1	209	Washer	1
187	Adjustment sheet	1	210	Ring	3
188	Screw	1	211	Belt fixed support	1
189	Adjust fixed screw	1	212	Ring	1
190	Adjust fixed screw	1	213	Chain gear	1
191	Screw	1	214	Key	1
192	Adjustment sheet	1	215	Bearing	1
193	Adjust fixed support	1	216	Screw	3
194	Ring	1	217	Bearing support	1
195	Key	1	218	UPE shaft	1
196	Adjust block	1	219	Cotter pin	1
197	Adjust shaft	1	230	UPE roller	1
198	Key	1	231	Ring	1
199	Adjust block	1	232	Bearing support	1
200	Ring	1	233	Screw	3
201	Pulley fixed support	1	234	Bearing	1
202	Belt	1	235	Ring	1

Warranty & Service

One year parts and labor limited warranty on most items, there are select items which carry a two year warranty. Extended warranty is available on some products. Contact us for details.

For all warranty claims, proof of purchase is required.

Warranty begins 10 days after shipping from warehouse; delays in installation which would extend the warranty must be approved.

All equipment must be installed and connected by qualified professionals in accordance with the manual specification.

Any abuse of equipment or improper use of machinery will void the warranty. Including failure to follow all instructions in operations manual. Properly install, maintain equipment, follow capacity charts, or electrical information.

Accessories, attachments, or electrical components such as fuses, bulbs, elements and switches are covered under a 90 day warranty. Repairs include Parts and Labor only, excluded is the following:

1. Overtime Labor Rates
2. Expedited Freight for Parts
3. BakeMax assumes no responsibility for down time or loss of product. All defective parts must be returned to BakeMax for credit. Repairs must be pre-authorized by BakeMax prior to work commencing.
4. Travel time is not covered by BakeMax, unless pre-authorized by BakeMax.

Bench Warranty (Machines Weighing 100 lb or less)

For all warranty claims proof of purchase is required to claim warranty. One year parts and labor warranty, from date of purchase.

Once machine is approved for warranty, the machine is to be shipped prepaid to authorized service depot. Customer will ship machine prepaid to authorized service depot. If machine requires warranty work in less than 30 days of purchasing BakeMax will pay all shipping charges. (Freight damages during shipping for warranty is the responsibility of the owner of the machine.)

Once machine is received and repaired it will be returned to the user at BakeMax expense.

*****BakeMax machines sold outside of the continental North America will carry one year parts warranty only.***

Titan Ventures International (TVI)
Toll Free: 1-800-565-BAKE (2253)
Telephone: 1-506-858-8990
Fax: 1-506-859-6929
Email: Info@BakeMax.com

BakeMax is a Registered Trade Mark of Titan Ventures International Inc.

BakeMax ® / Titan Ventures International Inc.