

WARRANTY



BEFORE warranty repair you MUST get Prior Authorization: Call 1-800-835-0606
Warranty will be voided otherwise.

NOTICE

Our system will automatically register the equipment on the date it was shipped. If the equipment was not purchased directly from HIX, but through a distributor (either domestic or foreign), please keep a copy of their sales invoice showing the serial number and date it was sold/shipped to you with this warranty. In this case, we will use the distributor's invoice date as the beginning warranty date. **STAPLE A COPY OF YOUR RECEIPT TO THIS WARRANTY** and keep in a safe place to provide verification of your warranty should a problem occur. Thank you.

Please fill in the following information and attach a copy of your receipt for your records.

Date Purchased: _____ From: _____

Model #: _____ Serial #: _____

This warranty applies to equipment manufactured by the HIX Corporation (HIX), Pittsburg, Kansas, U.S.A. HIX warrants to the original purchaser its Dough, Tortilla and Poultry Presses against defects in workmanship and material, except for wear and tear for a period of "One Year" from the date of purchase. All dough press carts, compressors, and accessories are warranted for 90 days from the date of purchase.

In the event of a defect, HIX, at its option, will repair, replace or substitute the defective item at no cost during this period subject to the limitations of insurance and shipping costs stated below.

This warranty does not cover normal wear and tear, damages due to accident, misuse/abuse, alterations or damage due to neglect or lack of proper lubrication or maintenance. HIX shall not be responsible for repairs or alterations made by any person without the prior written authorization by HIX. This warranty is the sole and exclusive warranty of HIX and no person, agent, distributor, or dealer of HIX is authorized to change, amend or modify the terms set forth herein, in whole or in part.

In the case of a problem with the equipment identified herein, HIX Corporation should be contacted during regular business hours to discuss the problem and verify an existing warranty. HIX personnel will assist the customer to correct any problems which can be corrected through operation or maintenance instructions, simple mechanical adjustments, or replacement of parts. In the event the problem cannot be corrected by phone, and upon the issuance of a return authorization by HIX, the equipment shall be returned to HIX or an authorized service representative. All insurance and shipment/freight costs are solely the responsibility of the customer, and not that of HIX, and HIX shall not be responsible for improper handling or damage in transit. HIX customer service personnel may be contacted for complete return authorization and reconditioning information.

This expressed warranty is given in lieu of any and all other warranties, whether expressed or implied, including but not limited to those of merchantability and fitness for a particular purpose, and constitutes the only warranty made by HIX Corporation.

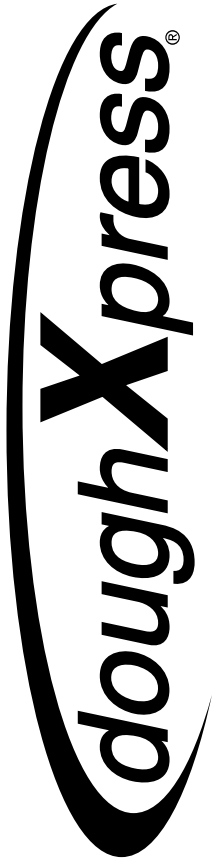
In no event shall HIX's liability for breach of warranty extend beyond the obligation to repair or replace the nonconforming goods. HIX shall not be liable for any other damages, either incidental or consequential, or the action as brought in contract, negligence or otherwise.

This warranty gives you specific legal rights and you may also have other rights which vary from state to state.



1201 E. 27th Terrace • Pittsburg, KS 66762 • U.S.A.
(620) 231-8568 • Fax: (620) 231-1598

E-Mail: mail@hixcorp.com • Website: www.doughxpress.com



OWNER'S MANUAL TXM-15-CP "Little Chick"



**For Customer Service, Call (620) 231-8568
or Visit www.doughxpress.com**

CONTENTS

Receiving and Shipping	2
Operation	3-4
Cleaning / Maintenance	5
Parts Identification	6
Warranty	8

RECEIVING AND SHIPPING

UNPACKING

Remember to save all packing materials - including box, liner and board. You may need these for shipping your machine or if a repair is necessary in the future.

INSPECTION

Inspect your machine for hidden shipping damage. Contact the delivery company immediately, should you find damage.

SHIPPING OR RETURNS

NOTE: Save all of your shipping/packing materials.
DO NOT RISK COSTLY SHIPPING DAMAGE!
SHIP ONLY IN ORIGINAL BOX.

1. Fasten machine to plywood shipping base with bolts provided.
2. Make sure handle is pressed down so that the heat platen will not swing around during shipment.
3. Place in original box, and put side liner and top liner in place. Fold in flaps and seal the box.
(Additional bottom boards, box and liners may be obtained from your supplier for a nominal cost.)

INSTALLATION

1. Lift press from box and place on cart, if you purchased one with the press. Align legs with holes in top of cart and bolts (supplied) fasten to cart. you will need a 9/16 wrench.
2. If press is to be placed on counter top stick black plastic foot pad on the bottom of the legs.

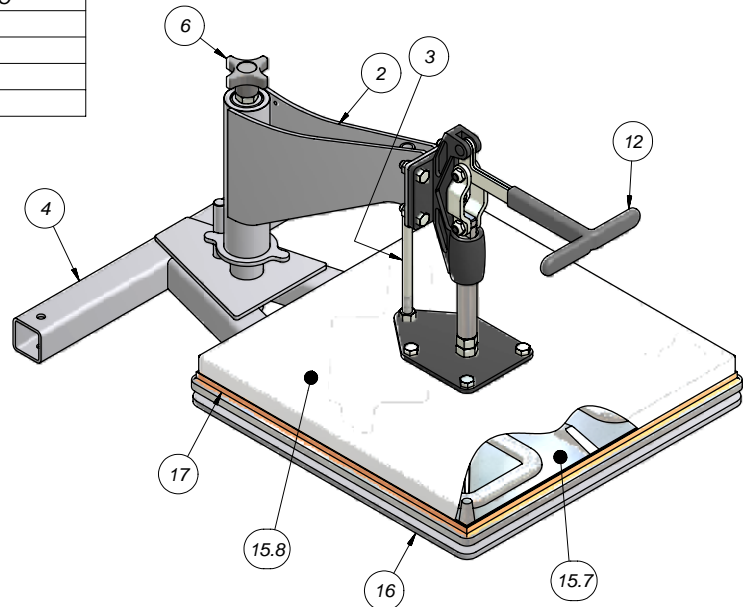
PRESSURE

1. The pressure control knob, located at the top / rear of the machine, should be set so that the head will lock down firmly with your product in place.
2. Pressure is reduced by turning knob (with machine open) **counter-clockwise** and increased by turning it **clockwise**.

NOTE: Adjustments may be required from one product to another and will vary to achieve the desired result.

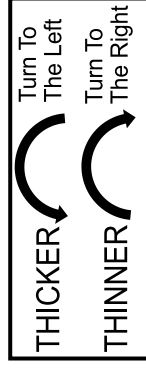
CAUTION: Excessive pressure can cause structural damage, voiding the machine warranty!

Parts List			
ITEM	QTY	PART NUMBER	DESCRIPTION
2	1	9142000	PIVOT ARM WELDMENT
3	1	9141009	BOLT, ANTI-ROTATION
4	1	9141000-FRAME WELDMENT	FRAME WELDMENT
6	1	62898	KNOB
12	1	35181	TOGGLE CLAMP SWINGMAN METRIC
15.7	1	9160002	PLATEN, 15x15
15.8	1	9161001	TOP COVER
16	1	59883	LOWER PLATEN
17	1	68446	BULB SEAL



OPERATION

4. To set the finished product thickness, turn the dial on the top of the machine as indicated.



6. Swing out the upper platen and place your product on platen. You are now ready to press.

PRESSING PRODUCT

Your DoughXpress TXM-15-CP press is designed for easy use and will reliably press your. Thickness, shape and size is directly related to your settings of your press. You should experiment with the following for the results you want.

- Using the thickness control knob, turn right for thicker tortillas or left for thinner ones until you have the desired thickness.
- Place your product distributed evenly on the lower platen.
- Rotate upper platen out and remove your finished product.

CLEANING / MAINTENANCE

CLEANING THE PLATENS

1. Swing the upper platen away for easier access.
2. Use a soap or detergent and nonmetallic scrubbing sponge to remove any excess material from the platens.

WARNING

DO NOT USE ABRASIVES SUCH AS STEEL WOOL, SCRUBS, KITCHEN CLEANSERS, GRIDDLE CLEANER, OR GRIDDLE BRICKS OR ANY OTHER KIND OF ABRASIVE MATERIAL. THIS WILL DAMAGE THE COATING.

CLEANING XYLAN COATED PLATENS

You may clean the Xylan coated platens with a mild soap and warm water. Use a soft cloth or sponge. Do not use steel wool, scrubbies, kitchen cleansers, or other abrasives. None abrasive oven cleaners are acceptable.

CLEANING OUTSIDE SURFACES OF MACHINE

Use a mild soap and warm water with a soft cloth or sponge. Do not use steel wool, kitchen cleansers, or other abrasives.