



LIQUID SHORTENING GAS FRYERS

Model:

BMF40-90- 3 Tube Burners, 40lb Vat (90,000 btu/hr)

BMF50-120 - 4 Tube Burners, 50lb Vat (120,000 btu/hr)

BMF70-150 - 5 Tube Burners, 70lb Vat (150,000 btu/hr)

INSTALLATION, MAINTENANCE & OPERATING MANUAL

(covers both Stationary and Mobile Applications)

**** Either Natural Gas (NG) or Liquid Propane (LP) can supply the fryers ****

Remember that Oil & Water won't mix. Don't attempt to fight an Oil Fire using Water.

In the event that a gas odor is detected, shut off the gas supply at the main shut-off valve and contact the local gas company or your gas provider/supplier for service!

Thank you for choosing our fryers for your operational requirements. **Follow these instructions carefully.** If properly used and maintained, you can expect to enjoy years of reliable, efficient and top quality use.

Note: Product line is subject to ongoing, continuous upgrades and improvements. The specifications defining each model are subject to change without notice.

Keep this manual for training and as a reference guide when service or maintenance is required.
Keep a copy of your Bill of Sale and final building inspection report for the fryer installation as both will help establish your appliance's warranty period and the date this coverage started.

PARTS : For authorized parts, please contact: 1-877-368-2797

SERVICE: For technical service, please contact: 1-877-368-2797

TABLE OF CONTENTS

WARNING IF A GAS ODOR IS DETECTED – (Precautionary actions to take)	COVER PAGE
IMPORTANT FOR YOUR SAFETY	2
INTRODUCTION	3
General	
Ordering Parts	
Fryer Capacity	
Unpacking	
INSTALLATION	4
Clearances	
Location	
Fryer Capacity	
Flue Installation	
CODES AND STANDARDS	6
ASSEMBLY	6
Flue Exhaust	
Gas Connection	
Gas Pressure	
Testing the Gas Supply Piping Connection	
Mobile Fryer Installations	
Leveling the Fryer	
OPERATION	10
Over-Temperature Shut Down	
Before First Use / Cleaning	
Filling Tank with Shortening	
Lighting the Pilot	
Turning On the Fryer	
Turning Off the Fryer	
Extended Shutdown	
BASIC FRYING INSTRUCTIONS	12
Fry Basket Guidelines & Fry Basket Capacity	
Extended Shortening Life	
Draining the Tank	
Daily Filtering	
CLEANING	14
Maintenance & Sanitation Calendar < Daily, Monthly, Semi-Annually >	
BOIL OUT PROCEDURE	15
FLUE VENT INSPECTION & MAINTENANCE	16
Service in the US and Canada	
TROUBLESHOOTING CHART & GUIDE	16
WARRANTY	17
SPECIFICATION and COMMERCIAL DUTY 3 RD PARTY APPROVALS	18
DIAGRAMS, EXPLODED VIEWS	19
Exploded View With Replacement/Accessory Part Numbers	
Electrical Control Schematic Diagram (Describes Mili-volt System)	
Descriptive Drawing of the Fry Tank	
SAFETY APPAREL (RECOMMENDED)	24
BENEFITS, FEATURES AND OPTIONS REGARDING THIS FRYER	24
TUNING THE GAS CONTROL SYSTEM COMPONENTS	26

IMPORTANT FOR YOUR SAFETY

Proper operation/performance of your liquid shortening gas fryer.

READ THE INSTALLATION, OPERATING AND MAINTENANCE INSTRUCTIONS THOROUGHLY BEFORE INSTALLING, MAINTAINING, RESETTING, MONITORING, OPERATING OR SERVICING THIS EQUIPMENT. THIS MANUAL HAS BEEN PREPARED FOR PERSONNEL QUALIFIED TO INSTALL GAS EQUIPMENT. AFTER CAREFULLY REVIEWING AND FOLLOWING THE INSTRUCTIONS/DIRECTIONS IN THIS MANUAL, ONLY QUALIFIED PERSONNEL THAT HAVE READ THIS MANUAL SHOULD PERFORM THE INITIAL FIELD START-UP AND EQUIPMENT ADJUSTMENTS .

This fryer is intended and approved for commercial use only- it is not built for residential applications.

IMPROPER INSTALLATION, SERVICE, ADJUSTMENT, ALTERATION, OR MAINTENANCE CAN CAUSE PROPERTY DAMAGE, PREMATURE PERFORMANCE FAILURES, INJURY OR POSSIBLY DEATH.

 **WARNING: FAILURE TO COMPLY (EVEN PARTIALLY) WITH THE RULES GIVEN IN THIS MANUAL WILL INVALIDATE THE PRODUCT WARRANTY AND RELIEVES THE MANUFACTURER OF ANY RESPONSIBILITY.**

This instruction booklet must be kept with the fryer for future consultation. If the fryer is sold or transferred to another user, make sure the booklet always goes with the appliance so that the new owner can have the necessary information on operation and the relative instructions.

IN A PROMINENT LOCATION, POST INSTRUCTIONS TO BE FOLLOWED IN THE EVENT THE SMELL OF GAS IS DETECTED. THIS INFORMATION CAN BE OBTAINED FROM THE LOCAL GAS SUPPLIER. If a gas odor is detected, IMMEDIATELY CLOSE THE MAIN GAS SUPPLY SHUT OFF VALVE WHICH STOPS ALL THE GAS FLOWING TO THIS APPLIANCE.


To maintain the equipment warranty, the installation and service work must be performed by qualified technicians and factory supplied replacement parts or equipment mounted accessories must be used. Only use factory or distributor authorized and approved casters or leveling legs to support this fryer. It should stand upright and level in its desired location before it is turned on with a gas supply line connection to the gas valve feeding the pilot/burners.


FOR YOUR SAFETY

**DO NOT STORE OR USE GASOLINE OR OTHER FLAMMABLE VAPORS OR LIQUIDS
IN THE VICINITY OF THIS OR ANY OTHER GAS COOKING APPLIANCE.**

Keep the area around all gas cooking appliances free and clear of combustible materials!!

**CAUTION: Hot oil may splatter or splash out of the appliance at any time creating a potential slip and fall or burn risk.
When working on, monitoring or operating the unit wear proper safety apparel!**

 **Caution: This fryer is built for liquid shortening use only (not solid), Directly adding solid shortening like palm oil, coconut oil and tallow to the fryer, when the tube burners are not fully immersed, can damage this appliance and voids its manufacturer's warranty. If it is desired to use a solid shortening, pre-melt it before carefully and safely pouring the liquid oil into the fry vat. Once the burner tubes are fully covered with shortening, solid shortening can be directly added to bring the oil level up to the fry vat maximum fill level.**

 **DO NOT ATTEMPT TO LIGHT THE PILOT OR LEAVE THE PILOT LIT WHEN THE FRY VAT IS EMPTY OR IF THE OIL LEVEL DOES NOT COMPLETELY COVER THE TUBE BURNERS. IGNORING THIS CAUTION VOIDS THE FRYER WARRANTY.** If the pilot and main burners go out, the unit must be shut down for ≥ 5 minutes before the fryer is lighted again to return it to service.

INTRODUCTION

GENERAL

Our commercial gas fryers are produced with quality workmanship and materials. Proper installation, usage and maintenance will result in years of satisfactory, cost effective performance producing flavorful, high quality, delicious fried food for your operation.

This manual is applicable to a model listed on the cover page. Procedures in this manual apply to all models unless specified. Pictures and illustrations can be of any model unless the picture or illustration needs to be model specific and is identified as such.

ORDERING PARTS

To speed up your order, provide the model number, serial number, gas type, part needed, item part number (if known) and quantity needed.

FRYER CAPACITY

MODEL	# of Heat Tubes	BTU / Hour	Width Inch (cm)	Shortening lbs (kg)
BMF40-90NAT&LP	3	90,000	15.5 (39)	35-40 (16-18)
BMF50-120NAT&LP	4	120,000	15.5 (39)	45-50 (21-23)
BMF70-150NAT&LP	5	150,000	21.0 (53)	65-73 (29-33)

UNPACKING

This fryer was carefully inspected before leaving the factory. Upon acceptance of the shipment, the transportation company assumes full responsibility for its safe delivery. Immediately after unpacking the fryer, check for possible shipping or concealed damage. If it is damaged, save the packaging material and contact the carrier within 2 days of delivery.

Check that the following have been included:

- ◆ Wire Basket Support Rack (in position this rack rests on top of the tube burners)
- ◆ Basket Hanger
- ◆ Adjustable Legs (4) {in some case could be 4 casters, 2 of which have brakes}
- ◆ Drain Pipe Extension and Drain clean-out rod (to open Drain if crumbs build up clog)
- ◆ Twin Fry Baskets (2)
- ◆ Extended exhaust gas flue chimney with deflector plate
- ◆ Manual and Warranty Card – Retain manual for future reference, send in filled out card.

Do not use the door or its handle in an attempt to lift the fryer.

NOTE: Some key parts or components may be shipped in separate cartons, in the fry vat, in the fryer base or cabinet or even in the fryer principal shipping container or its packaging materials. Be careful not to discard, misplace or throw out these items which are needed to successfully, safely and efficiently operate this appliance.

Use only factory or distributor approved and authorized fryer support leveling legs or casters for this appliance to operate it safely and keep its warranty in force.

INSTALLATION

Before installing the fryer, verify that the type of gas (natural or liquid propane [LP]) agrees with the specifications on the fryer data plate. The fryer data plate is located on the inside of the door panel. Make sure the fryer is configured for the proper elevation (height above sea level) of the facility.

Record the gas fryer model and serial number for future reference in the space provided below. This information is on the fryer data plate. Also record the installation date.

Fryer Model No: _____ **Installation Date:** _____ **Serial No:** _____

CLEARANCES

- Allow space and accessibility for proper appliance servicing and operation.
- Minimum clearance from combustible construction:
 - 6" (15 cm) from the SIDES of the fryer
 - 6" (15 cm) from the BACK of the fryer

The fryer may be installed on combustible floors (if factory approved leveling legs or casters are used – the warranty is voided if any other mounting method is used)

- Minimum clearance from noncombustible construction:
 - 0" from the SIDES of the fryer
 - 0" from the BACK of the fryer
- Between the fryer and any open-top flame units or unshielded heaters and burners:
 - 16" (41 cm) A Flame Guard can be used if allowed by the local codes and officials

LOCATION

- The installation must meet the local building codes and should be approved by authorized building and fire inspectors before the fryer is started up in operation.
- Install fryer in an area with sufficient air supply for complete tube burner gas combustion.
- Do not obstruct the flow of the appliance's combustion and ventilation air.
- Provide adequate clearance for air openings into the combustion chamber.
- Do not permit fans to blow directly onto fryer as they can negatively impact the burner or pilot valve performance possibly even extinguishing the pilot flame.
- Avoid wall-type fans, which create cross-currents within a room. Avoid open windows next to the fryer's sides or back. Test the room ventilation air ducts to ensure they aren't blowing directly on this appliance as that might create performance issues
- Ensure the floor allows the fryer to sit level and securely when its in position for proper operation, service and cleaning
- No electrical connection is required for this appliance as the standard control scheme uses mili-volt components [and possibly a piezo igniter] that don't use/need a 115/220 v circuit.
- If mobile, an approved quick connect gas supply hose with restraint cable is needed.
- **The hook up determines what restraint will prevent tipping over the fryer and avoid the risk of hot oil splashing, spilling or sloshing out of the unit**
- Install the fryer under an approved, operational and properly sized ventilation exhaust hood with the required 6" minimum overhang surrounding the fryer {a make-up air style is suggested} that comes with a built in and tested fire protection (i.e. Ansul™) system
- The appliance's electrical schematic diagram is located on inside of door.
- Do not directly connect the fryer flue or exhaust to the ventilation hood.
- The hood grease filters should be at least 18" above the fryer exhaust flue.

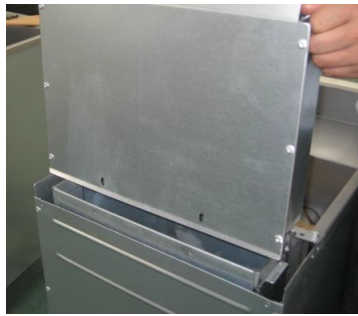
FLUE INSTALLATION:

⚠ WARNING BEFORE USING FRYER INSTALL AND ASSEMBLE THE 10-5/8" FLUE AND DEFLECTOR PLATE TO THE FRYER.

1. Unpack the flue box and flue wrap



2. Slide the flue box over the flue and secure it with the two self-tapping screws using a 5/16" socket



3. Slide the flue wrap over the flue [Ensure the fryer is properly positioned under the hood with proper overhang on all sides of the appliance – code requires \geq a 6" hood overhang distance]



4. Secure it with four self-tapping screws two on the back and one on each side using a 5/16" socket



CODES AND STANDARDS

The fryer must be installed in accordance with all applicable national and local codes, regulations and ordinances. A final building and fire protection inspection should be conducted and the installation approved prior to putting the new fryer into service.

In the United States:

State and local codes, or in the absence of local codes, comply with:

- National Fuel Gas Code, ANSI-Z223.1/NFPA #54 (latest edition). Copies may be obtained from The American Gas Association Accredited Standards Committee Z223, @ 400 N. Capital St. NW, Washington, DC 20001, the Secretary Standards Council, NFPA, 1 Batterymarch Park Quincy, MA 02169-7471 or on-line.
- NFPA Standard #96 Vapor Removal from Cooking Equipment, latest edition, obtain from the National Fire Protection Association, Battery march Park, Quincy, MA.
- ANSI standards Z 21.69 and Z 21.41 if mounted on casters making it mobile for cleaning and servicing (ensure the fryer is stable and level in all locations where it will operate or be worked on) If the unit must be disconnected from its restraint cable for any reason, be sure it is reconnected prior to placing the appliance back in service.
 - In the Commonwealth of Massachusetts all gas appliances vented through a ventilation hood or exhaust system with a damper or with a power means of exhaust shall comply with the commonwealth's regulation standard or number 248 CMR.

In Canada:

Comply with all prevailing Local codes

- CAN/CSA-B149.1 Natural Gas and Propane Code Installation (latest edition),available from the Canadian Gas Association 350 Sparks Street, Ottawa, Ontario Canada K1R 7S8.
- CSA C22.1 Canadian Electric Code L4W 5N6.
- CSA Standards 6.16 and 6.9 if mounted on a manufacturer or distributor approved caster set making it mobile (see following comments about use of a restraint cable)

ASSEMBLY

The fryer must be properly restrained to prevent tipping and the splashing of hot liquid. The means of restraint may be the manner of installation, such as connection to a battery of appliances, installing the fryer in an alcove, or by separate means such as adequate ties or restraining cable if on casters so it's mobile and can be rolled into different safe positions..

If the unit must be disconnected from its restraint cable for any reason, be sure it is reconnected prior to placing the appliance back into service.

FLUE EXHAUST GAS

- Comply with *Vapor Removal from Cooking Equipment*, ANSI-NFPA Standard #96 (latest edition), available from the National Fire Protection Association, Batterymarch Park, Quincy, MA 02269.
- Locate the fryer under a hood with adequate connection to an exhaust duct. The hood must extend 6" (15 cm) beyond fryer on both sides as well as in front of and behind the fryer if mounted against a back wall or in an island cooking bank set-up.

- Clearance above the fryer should be adequate for all combustion byproducts to be removed efficiently and safely without creating a potential fire hazard.

⚠ No structural material on the fryer or its flue chimney including physical alterations should be made so it can be placed under an approved exhaust hood with fire protection

- An 18" (46 cm) minimum clearance should be maintained between the flue vent and the grease removal filters of the hood venting system.
- Never make flue connections directly between the fryer and exhaust hood.
- Do not obstruct the flow of the gases from the appliance. Proper air balance should be maintained in the room. The exhaust system must meet all applicable local air exchange requirements, regulations, ordinances and building codes.
- Ensure that your ventilation system does not cause a down draft at the fryer's flue opening. Down draft will not allow the fryer to exhaust properly and will cause overheating which may cause permanent damage. Damage caused by down drafts aren't covered under the equipment warranty. Never allow anything to obstruct the flue or ventilation exiting from the fryer flue.
- NEVER put anything on top of the flue open area which may impact the exhaust gas flow.

CONNECTION GAS

NOTICE All gas supply connections and any pipe joint compound must be resistant to the action of propane gases or any other reasonable corrosion causes or catalysts.

The gas inlet is located on the lower rear of the fryer. Codes require that a gas shutoff valve be installed in the gas line ahead of the fryer. Installing the fryer and gas plumbing safely in accordance with the local codes and manufacturer directives including an approved pressure regulator is the purchaser's (end user's) responsibility not the fryer manufacturer or distributor.

The gas supply line must be at least the equivalent of ½" (12.7 mm) iron pipe for single units and 1-1/4" (31.75 mm) for batteries. If using the optional quick-disconnect flex hose, ¾" (19 mm) iron pipe feeding it is appropriate for single fryer applications.

Each fryer is equipped with a ½" – ¾" coupling that facilitates the proper gas supply line connection using approved piping and possibly an approved quick disconnect hose with its required restraint cable hook-up to hold it in position that is required by code if on casters (a mobile appliance set-up).

Make sure the pipes are clean and free of obstructions, dirt, and piping compound. A battery set up may require one or two connections of appropriate size for the gas requirement to properly supply each gas cooking appliance in that battery line-up.

⚠ WARNING Prior to lighting, check all joints in the gas supply line for leaks.
Use soap and water solution. Do not use an open flame.

After piping has been checked for leaks, fully purge gas pipes to remove any trapped air in the line prior to bringing the fryer on line and into service.

GAS PRESSURE (ALL MODELS): Natural Gas, Town Gas or LP {Liquid Propane Gas}

The gas pressure must be set at 4" W.C. (Water Column) (0.8 kPa) for natural gas and 10" W.C. (2.75 kPa) for LP gas. If incoming pressure exceeds ½ PSI (3.45 kPa), an additional pressure regulator must be installed. {Meeting this requirement is the owner's responsibility} The name plate indicates which form of gas fuel supply is to be connected to this fryer LP or Natural Gas.

All gas piping should be performed by a licensed plumber and approved by an authorized local building code and fire protection inspector.

TESTING THE GAS SUPPLY PIPING CONNECTION

- When test pressures exceed ½ PSI (3.45 kPa), the fryer and its individual shutoff valve must be disconnected from the gas supply piping system.
- When test pressures are ½ PSI (3.45 kPa) or less, the fryer must be isolated from the gas supply piping system by closing its individual shutoff valve.

If any leaks must be repaired, ensure the line is free of any residual gas and then execute the needed remedial action safely and properly to conform the prevailing codes and ordinances.

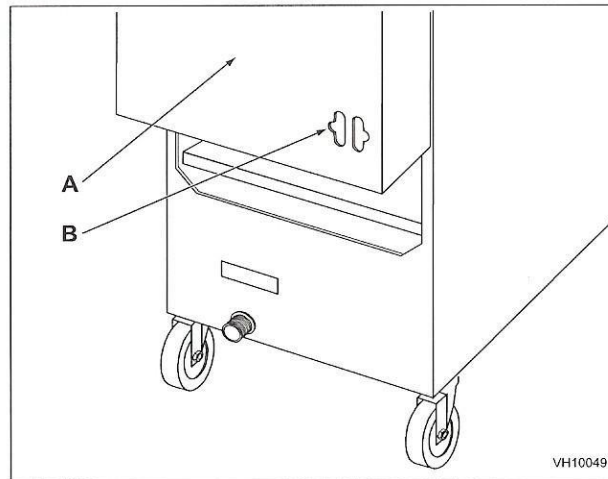
MOBILE FRYER INSTALLATION

NOTICE Approved casters, the quick disconnect supply hose and a secure restraining device aren't/may not be supplied with these fryers. A provided set of leveling legs is typical which allows a stationery safe hook-up with the connection of proper gas piping.

Separate instructions for installing casters are included with each purchased caster kit/set:

- The installation must be made with a connector that complies with the current Standard for Connectors for Movable Gas Appliances, ANSI Z-21.69 or Connectors for Moveable Gas Appliances, CAN/CGA-6.16, and a quick-disconnect device that complies with the Standard for Quick-Disconnect Devices for Use with Gas Fuel, ANSI Z-21.41 or Quick-Disconnect Devices for Use with Gas Fuel, CANI- 6.9.
- When installing a quick disconnect you must also install a means for limiting the movement of the fryer. This restraining device prevents the gas line or quick disconnect hose from being strained. The restraining device should be attached to the mounting system/cutout on the fryer's back panel. {See illustration for location}
- The manufacturer/distributor offers an approved and proven mobile gas appliance installation kit consisting of proper strength and size casters (2 with brakes), approved quick disconnect hose and rated restraining cable. Its use maintains the factory equipment warranty – other set ups may result in that protection being voided

NOTICE If disconnecting the restraining device is needed for servicing or cleaning the unit, reconnect the restraining device after the fryer is placed back into its original position.



A Rear of Fryer
B Strain Relief Chain Connection
(Chain supplied by others)

- The fryer must use with an approved restraint cable and quick disconnect gas supply flexible hose connector complying with all applicable codes.
- The fryer set up must have a proven restraining means to prevent transmitting strain to the restraining connector. [See the above illustration for a better understanding of this requirement.]
- The fryer must be installed with the casters provided or approved by its manufacturer.
- If the restraint cable is ever to be disconnected, first turn the gas supply off, reconnect the restraint cable before returning the appliance into normal operation.

LEVELING THE FRYER

Check if the fryer is level by placing a “level” on top of the fryer after all the gas connections have been made. Ensure that the fryer is level front-to-back and side-to-side in its final installed position.

If using casters, lock the wheels after unit is level and confirm that the fryer will essentially stay level and stable as it is moved into the various envisioned locations for operation, cleaning and servicing the unit. (Be careful if moving a full vat as the oil may splash out)

OPERATION

⚠ WARNING Hot oil and parts can cause burns.
Use care when operating, cleaning and servicing the fryer.

⚠ WARNING Spilling hot frying compound or boil out solution can cause severe burns.
Do not move the fryer without draining all frying compound and liquid from the tank.

⚠ WARNING Note: Hot oil can splash, foam or splatter out of the fryer if moved or even stationary creating a potential burn and slip and fall hazard condition. Use appropriate safety apparatus and apparel (at least gloves & face shield) when servicing, cleaning, monitoring or operating the gas fryer.

OVER-TEMPERATURE SHUTDOWN

If the shortening becomes overheated, a high-temperature shutoff safety device will turn the gas valve off and extinguish the pilot. If the fryer shuts down due to overheating, DO NOT attempt to re-light the pilot until the shortening temperature is below 300° F (149° C).

If an overheating situation persists, contact the Authorized Service Office. Contact information can be found on the Cover Page.

BEFORE FIRST USE

Cleaning: New units are wiped down at the factory to remove any visible signs of dirt, oil, grease, etc. remaining from the manufacturing process. Before any food preparation, thoroughly wash the protective oil from all surface parts and the tank interior with hot soapy water to remove any film residue and dust or debris. A fryer boil out with cleaning compound is suggested, this occurs at the factory prior to crating and shipping through the normal distribution channels.

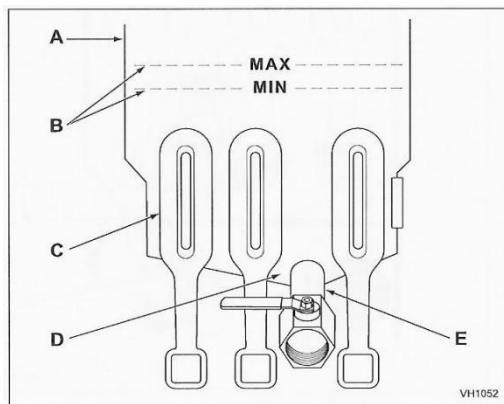
NOTICE Do not use chlorine or sulfate/sulfide cleaners. Wash any accessories shipped with unit. Rinse fryer and accessories thoroughly and drain the fryer. Wipe tank completely dry with a soft, clean cloth.

FILLING TANK WITH SHORTENING

Solid shortening should NOT be used with these fryers. Directly Melting solid shortening in the fry tank will damage the tank and void your warranty. **If solid shortening is to be used (i.e. palm or coconut oil) it should be completely melted remotely in another appliance and then carefully and safely poured in the fry vat until all the tube burners are completely submerged in cooking oil. Any other practice or melting procedure voids the fryer warranty and could damage the appliance or oil.**

If the fryer will be emptied and not immediately refilled with oil, extinguish the gas pilot by shutting off the gas valve. Do not attempt to re-light the system until the vat is filled with oil.

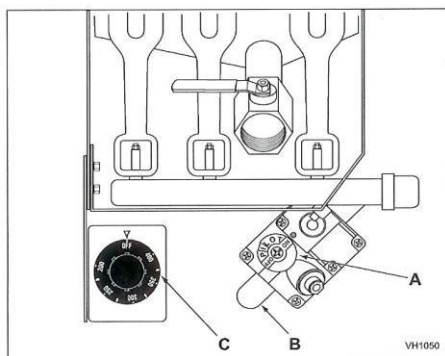
Don't attempt to add liquid shortening to a fry tank that is not completely dry as the water may boil and bubble as the oil is heated. Hot oil can splatter or slosh out of the vat causing a potential operator burn or slip and fall hazard in the locale/area/vicinity immediately adjacent to the fryer.



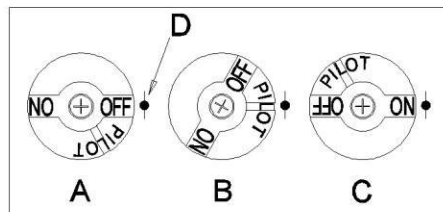
- A Fryer Tank
- B MIN and MAX Fill Level Lines
- C Heat Pipes
- D Cold Zone
- E Drain Pipe

1. Close the drain valve.
2. Fill the fryer tank with liquid shortening.
3. Shortening level should be between the min and max lines in the fryer tank.
4. Shortening will expand when heated. Do not fill the fryer tank (vat or pot) past the MAX line. Add fresh shortening as needed to maintain oil level. DO NOT fill above the maximum fill line embossed into the fry vat. If no portion of a tube burner is exposed to air, solid shortening may be added directly into the fryer, a little at a time to avoid any scorching or shortening of the oil life.

LIGHTING THE PILOT



- A Gas Valve Knob
- B Gas Supply
- C Thermostat Knob



- A Gas Valve Knob, View A
- B Gas Valve Knob, View B
- C Gas Valve Knob, View C
- D Indicator Point, All Views

1. Open the door.
2. Turn the thermostat OFF (see figure, view A). The thermostat is located behind the door.
3. Push the gas control valve knob and turn to OFF. Wait 5 minutes to vent unburned gas.
4. Push and turn gas control valve knob to the "L" in PILOT (see figure below, view B).
5. While still holding the knob in, light the pilot with a suitable flame. Continue to depress the knob until pilot stays lit when knob is released. If the pilot doesn't remain lit, repeat steps 3 through 5.
6. Depress and turn gas control knob to ON (See figure below, view C).
7. If gas supply is interrupted, repeat steps 2 through 6.

TURNING ON THE FRYER

1. Set the temperature knob to desired temperature.
2. After the set temperature is reached, the thermostat shuts off the gas flow to the burners.
3. The pilot remains lit. The burners cycle on and off, to maintain the temperature at the set point.

TURNING OFF THE FRYER

1. Turn the thermostat OFF.
2. To keep the pilot lit, turn the gas valve to “L” in Pilot. {only the pilot stays lit in this position}
3. To shut off all gas to the system, including the pilot, turn the gas valve knob to OFF.

EXTENDED SHUTDOWN

1. Turn the thermostat knob to OFF.
2. Push in the pilot knob and turn to OFF.
3. Thoroughly drain the fryer. Refer to DRAINING THE FRYER.
4. Clean the fryer according to CLEANING.
5. Turn off the main gas shutoff valve.

A complete fryer boil-out is suggested after any extended shutdown before bringing it back on-line.

NOTE: If the pilot is extinguished, a control safety sensor (thermopile) cuts off the gas supply to it.

BASIC FRYING INSTRUCTIONS

- Set the desired temperature and allow shortening to heat up to that temperature.
- Fry items that are of similar size to ensure equal doneness.
- Drain or wipe dry raw or wet foods to minimize splatter when lowering into hot oil.
- Add fresh shortening as needed to maintain the shortening level between the recommended (embossed) minimum and maximum fill level (volume) lines.

FRY BASKET GUIDELINES

- Don't overfill baskets. (See table for recommended basket capacities below) Carefully lower each basket into the hot oil to minimize turbulence and splatter to meet the customer demand.
- When frying doughnuts and fritters, turn product only once during frying.
- When cooking French fries or onion rings, shake the basket several times.
- Batter-covered foods should be dropped carefully, one by one, into shortening or basket (If a basket is used, first dip the basket into the oil to reduce batter-build up on basket surfaces.)
- When frying is completed, remove basket or product. Hang basket on the rear basket hanger allowing the excess oil to flow back into the fry vat (kettle/pot/tank).

FRY BASKET CAPACITY

- For the 40090 and 50120 models: Recommended maximum pounds per basket of frozen French fries are 1.5 lbs. (0.7 kg). {**NEVER** put more than 2 lb of frozen fries into any one basket}
- For Model 70150 fryer, its recommended maximum frozen fry load is 3 pounds per basket (1.4 kg).

EXTENDING SHORTENING LIFE

Shortening life can be extended by the following guidelines:

- Do not salt foods over the fryer
- Use good-quality shortening
- Filter shortening daily (at a minimum)
- Replace shortening if it becomes poorly flavored
- Keep equipment and surrounding clean
- Set thermostat correctly, lower the temperature to 210°F (99°C) during idle periods
- Remove excess moisture and particles from food products before they're fried.
- Maintain the proper oil level at all times
- No copper bearing alloy should be used or placed in the fryer tank
- Keep the vat covered minimizing oxidation during idle times and lower the thermostat
- Ensure crumbs and food particles are skimmed away and discarded at least twice daily (preferably at least once an hour and whenever the facility enters an idle period)
 - Load the baskets with dry ice crystal free product (moisture breaks down the oil)
 - Use a skimmer to remove any floating fried food that is not in a fry basket
 - If crumbs build or wedge between the basket wires, remove them before reusing the basket. As they may carbonize (burn) and fall into the tank.

DRAINING THE TANK

1. Turn the thermostat to OFF.
2. Wearing safety apparel (at least face shield and gloves) screw the extended drain pipe into position so the tank can drain into a safe proper size secondary container
3. To keep the pilot lit, turn the gas valve to PILOT.
4. Direct the drain spout into the container that you want to drain the shortening into.
5. Open the drain valve. The oil will drain into the container. When the container is full or the fryer tank is empty, close the drain valve. Repeat this step until the vat is empty.
6. If desired, perform the weekly clean-out as described under CLEANING.
7. Once tank is completely empty, add new oil and set thermostat to desired temperature.

Note: It is recommended to conduct a fryer boil out with cleaning compound at least monthly.

Do not leave the fryer unattended during a tank boil out, this boil out solution may foam and over-flow the vat. If this happens turn the thermostat and gas valve off. Turn the gas valve back on and re-light the fryer, then resume the boil out after the foam has dissipated.

DAILY FILTERING

 WARNING Hot oil and hot parts can cause burns.

Use care when operating, cleaning, and servicing the fryer.

- Filter shortening at least once a day. Refer to the instructions provided with your filtering equipment.
- A cold fryer won't drain properly. Always filter shortening between 250°F and 325°F. The shortening in the cold zone area will remain hard if the heat is only on for a few minutes. If necessary, use the clean-out rod to carefully stir the hard shortening to an area above the cold zone where it can melt. Use the tank brush to help clear sides and tubes of debris. Carefully applying some filtered hot oil with the brush can aid in better cleaning the vat side walls. Use the crumb scoop to help clean the cold zone
- This fryer is designed for efficient filtering of the shortening if a paper cone filter set up, plastic mesh filter net with handle or a portable power filter system is used as the oil filtering method.

CLEANING

⚠ WARNING Hot oil and hot parts can cause burns.
Use care when operating, cleaning, and servicing the fryer.

NOTICE Do not use chlorine or sulfate/sulfide cleaners.

GAS FRYER MAINTENANCE & SANITATION CALENDAR

Daily Tasks: Clean your fryer regularly with the tank brush along with a damp cloth, and polish with a soft dry cloth. If regular cleaning is neglected, grease can burn on and discolorations may form. Fingerprints are sometimes a problem on highly polished surfaces of stainless steel. They can be minimized by applying a cleaner that will leave a thin oily or waxy film.

- Clean all exterior surfaces of your fryer at least once daily.
 - Use a damp cloth with warm water and a mild soap or detergent.
 - Remove discolorations by washing with any detergent or soap and water. Use a self-soaping, non-metallic scouring pad for particularly stubborn grime and discolored surfaces.
 - Always rub with the grain of the stainless steel or other metallic finish.
 - Do not use a metallic scoring pad or harsh cleaners.
1. Empty tank into separate approved hot oil storage vessel while filtering the oil at about 275°F (135°C)
 2. Clean the crumbs out of the cold zone and off the wall
 3. Use brush and clean cloth to clean between the tube burners & remove all debris from the tank walls
 4. Carefully refill the fry tank with the oil after testing it using a color tube or strip – use fresh oil when the testing indicates that it is time to discard the old oil – otherwise the same oil refills the fry vat
 5. Clean and sanitize the area around the fryer
 6. Wash the basket hanger (if it's removable) or wipe the basket hanger rods with a cloth if permanent
 7. Clean the fry baskets & fryer rack that rests on the tube burner – removing all crumbs & food particles
 8. Chart that these events are done nightly & have the shift or general manager evaluate their execution
 9. Keep the fryer exterior clean and free of accumulated grease to prevent stubborn stains from forming. If regular cleaning is neglected, grease will become polymerized as well as get burned on and discolorations may form.
 10. Rinse thoroughly, and then polish with a soft dry cloth. You want the clean tank to be bone dry- after it's been cleaned and is dry, refill the tank with oil or wipe it with oil to reduce the risk of oxidation (rust) occurring even though the vat is made of stainless steel

Weekly Tasks:

1. Clean behind fryer
2. Clean under fryer
3. Clean the sides of the fryer
4. Confirm the fry vat temperature control is accurate and doesn't need calibration – if it does schedule this activity with a service technician or QA associate

Monthly Tasks:

1. Perform a fry tank boil out
2. Test fryer warm up time {to be within 2 minutes of the initial warm up time (oil to go from 80° to 275°F)[27°- 135°C]}
3. Check the burner flame for appearance as well as calibration

Semi-annual Task:

1. Confirm the high limit is safety and pilot thermopile safeties are functional
2. Clean the burner orifices and re-tune
3. Run a burner test- [confirm the gas consumption is within 2% of the original value at time of commissioning]
4. Inspect the burner baffles for overall condition and thickness – replace if worn, thin or deformed
5. Have the unit inspected by a factory trained service technician for over-all state of repair
6. Inspect the safety apparel and other accessories including fry baskets for overall state of repair
 - If any issues of excessive wear or performance are found replace that element
 - Validate the calibration of the thermometer used to calibrate the thermostat
 - Use clean-out rod to clear drain {run a drain time test (should be within 10 seconds of commissioning value)}
7. Record the measured evaluation test results for future reference and to see deviation over time
8. Confirm the fry time, fry oil temperature after the batch is finished and lifted from the oil and recovery time to return to 350°F – this should be the same or within 10 seconds for each test

BOIL OUT PROCEDURE

Weekly or as required (a boil out frequency of no less than monthly is strongly suggested):

1. Drain the tank as described under DRAINING THE TANK.
2. Once the shortening has been drained, flush out scraps and sediment with a small amount of warm shortening, using tank brush. Allow the tank to drain thoroughly.
3. Close the drain valve and fill tank with water. Use a low foaming cleaner/degreaser to clean the fry tank. Follow the instructions on the side of the package. **Do not use chlorine or sulfate/sulfide cleaners. Commercial Fryer Boil Out powder is suggested**
4. Add commercial boil-out solution. [Solution height is between the MIN and MAX embossed tank levels].
5. Set thermostat to the temperature recommended for the solution being used. Do not exceed 210°F. Allow solution to simmer for about 15 to 20 minutes.
6. Drain the cleaning solution from the tank.
7. Close the drain valve and refill the tank with water. Add 1 cup (1/4 L) of vinegar or mild citric acid solution to neutralize alkaline left by the cleaner. Solution level must be between the MIN and MAX level on the fryer tank.
8. Bring the solution to a simmer, turn the thermostat off. Allow to stand for a few minutes.
9. Drain the tank according to DRAINING THE TANK. Rinse thoroughly with clear, hot water. All traces of cleaner must be removed. Dry the tank thoroughly.
10. Close the drain valve and add shortening. Follow the FILLING TANK WITH SHORTENING procedure in this manual. The fryer is now ready for use.

While the vat must be dry before refilling it with oil – do not turn the fryer on to help dry it.

Damage to the vat (distortion) can occur and the equipment warranty becomes void.

FLUE VENT INSPECTION & MAINTENANCE

- ⚠ WARNING** Hot oil and hot parts can cause burns.
 Use care when operating, cleaning, and servicing the fryer.
 Spilling hot oil or fryer boil out solution or compound can cause severe burns.
 Do NOT move a fryer without draining all frying compound and liquid from the tank.

CAUTION: A dirty fry vat or clogged tube burner orifice may negatively impact the finished fried food quality, the fryer performance and its capacity. It’s recommended that in addition to at least monthly fryer boil outs that the appliance get a complete preventative maintenance tune up and component cleaning or replacement {if needed} twice a year. Our trained field service technicians can perform this tune up.

When the fryer is cool, inspect the flue and its connection semi-annually. Check the flue and clear any obstructions. If anything is loose or worn, tighten the connection and replace the parts as needed. If the flue exhaust gas temperature climbs 18°F(10°C) above the default measured value (Recorded when the fryer was commissioned). The burner baffles have been compromised and need immediate replacement.

SERVICE IN THE USA / CANADA:

Contact the Authorized Service Office. Information is on the Cover Page.

TROUBLESHOOTING CHART & GUIDE	
PROBLEM	PROBABLY CAUSE
NO HEAT	Thermostat dial is not turned on Pilot not lit Gas supply not turned on Wire connections loose (call service) Wires connections need cleaning (call service) Thermopile failure (call service) Quick disconnect hose not connected
INSUFFICIENT OR TOO MUCH HEAT:	Thermostat dial not set to desired temperature High limit tripped (call service) Temperature probe malfunction (call service) Burner flame not tuned or baffles are burned out
TANK WILL NOT DRAIN:	Shortening too cold to flow- re-heat it to over 275°F (135°C) Drain pipe clogged with debris- dislodge with cleanout rod Ball valve handle is jammed or loose so it won’t open

LIMITED WARRANTY FOR GAS FRYERS

For Warranty details, please refer to:

www.TheLegacyCompanies.com/techservice or call 1-877-368-2797

A warranty card is included in the package containing the mounting legs (or in some situations the casters). Fill out the warranty card, have it signed by the owner/operator and the installer. Include the final location address, phone number, contact person, e-mail address and date that the unit was placed into service to activate this warranty and enable periodic correspondence to be exchanged. **If the warranty post card is not returned**, the manufacturer can elect to NOT honor the fryer warranty terms.

If the warranty card is missing with your product, please send the following information to:

Warranty & Reference Data Sheet: (make a return copy standard post card size)

**The Legacy Companies
GAS FRYER WARRANTY CARD
C/O Technical Services**

3355 Enterprise Avenue, Suite 160 Fort Lauderdale, FL 33331

Brand & Model Number _____ Serial Number _____

Type of Gas Used for Supply _____ Pressure at Gas Valve _____

Date of Installation _____ Date of Building Inspection _____

Type of fire protection- powder fluid Type of floor fryer installation- stationary mobile

Drain Time: _____ Flue gas exhaust temperature as Leaving the flue exhaust chimney: _____

Warm up Time (80° to 275°F)[27° to 135°C] _____

If Mobile:

Caster set Model # _____

Passive restraint cable length _____

Passive restraint cable model number _____

Flexible quick-connect hose size _____ Length _____ Model Number _____

Shut off valve Model Number _____

{installed before the final gas fryer connection point to meet North American regulations}

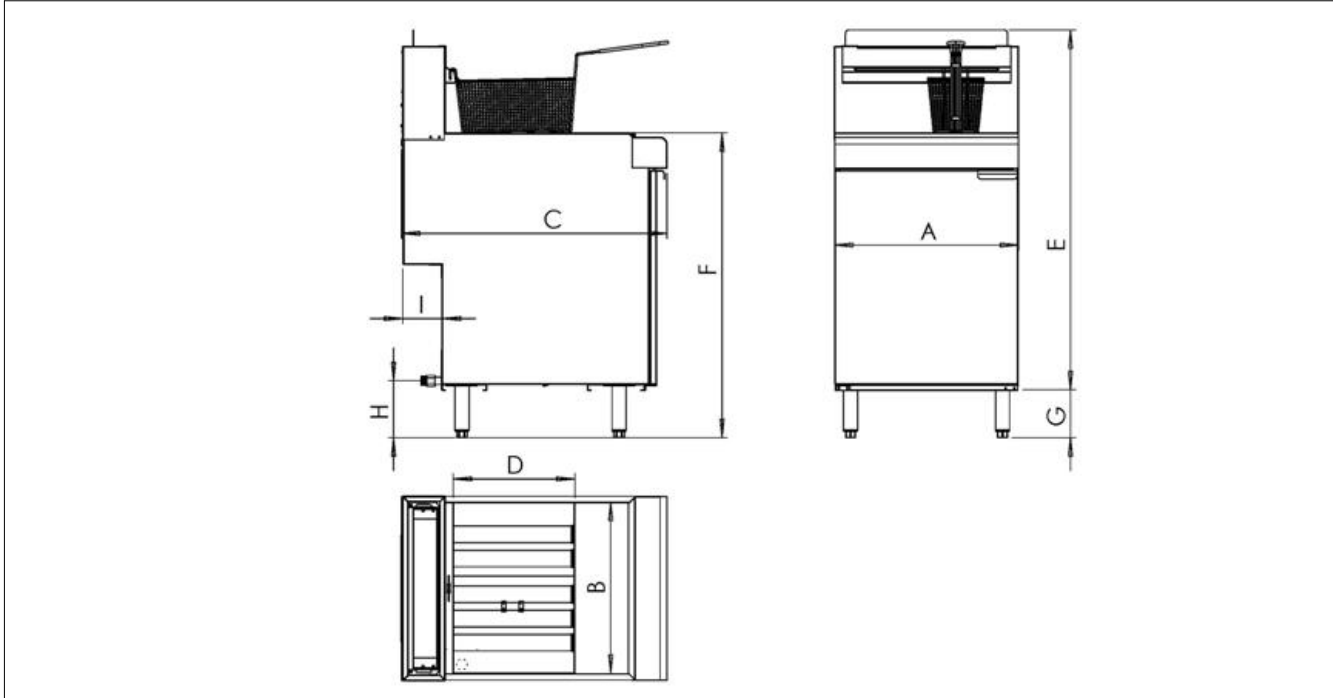
Pilot & high Overload safeties passed testing

Yes

Date _____

SPECIFICATION & COMMERCIAL DUTY 3RD PARTY APPROVALS

DIMENSION



Model	Width (in)		Depth (in)		Height (in)		Gas Connection (in)			Total BTU/hr
	A	B	C	D	E	F	G	H	I	
BMF40-90NAT&LP	15.5	14.0	30.3	14.0	47.2	34.7	6.0	7.0	4.2	90,000
BMF50-120NAT&LP	15.5	14.0	30.3	14.0	47.2	34.7	6.0	7.0	4.2	120,000
BMF70-150NAT&LP	21.0	18.0	30.3	14.0	47.2	34.7	6.0	7.0	4.2	150,000

GAS SUPPLY AND BURNER INFORMATION

Supply pressure should be at minimum of 4" W.C. for natural gas or 10" W.C. for propane. The fryer comes with 3/4" NPT male connector on a 1/2" pipe, allowing you to connect with either 3/4" or 1/2" NPT female connector.

Model	Burners	Gas Type	Manifold Pressure	Number of heat tube	Rate Each BTUs / Hour	Total Rate BTUs / Hour	Orifice Size
BMF40-90	Main	Natural	4" W.C.	3	30,000	90,000	#40
		Propane	10" W.C.	3	30,000	90,000	#52
BMF50-120	Main	Natural	4" W.C.	4	30,000	120,000	#40
		Propane	10" W.C.	4	30,000	120,000	#52
BMF70-150	Main	Natural	4" W.C.	5	30,000	150,000	#40
		Propane	10" W.C.	5	30,000	150,000	#52

* Minimum supply pressure is 4" W.C. for natural gas and 10" W.C. for propane.

** Orifice sizes are for units installed at altitudes between 0 and 2000 feet above sea level.

Commercial Duty 3rd Party Approvals:

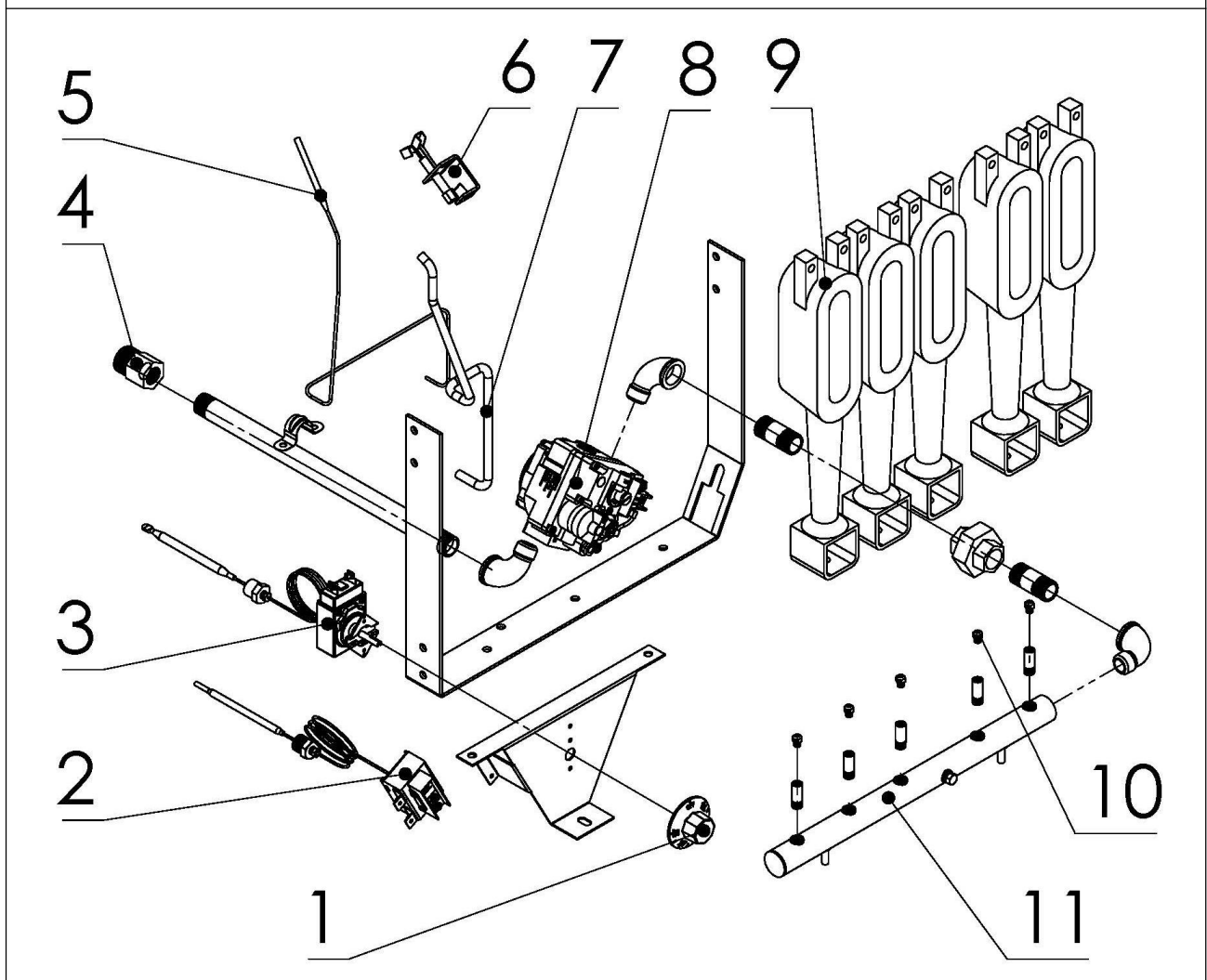


**Conforms to ANSI STD Z83. 11-2016,
 Certified to CSA STD 1.8-2016
 Conforms to NSF/ANSI Std.4**

DIAGRAMS, EXPLODED VIEWS

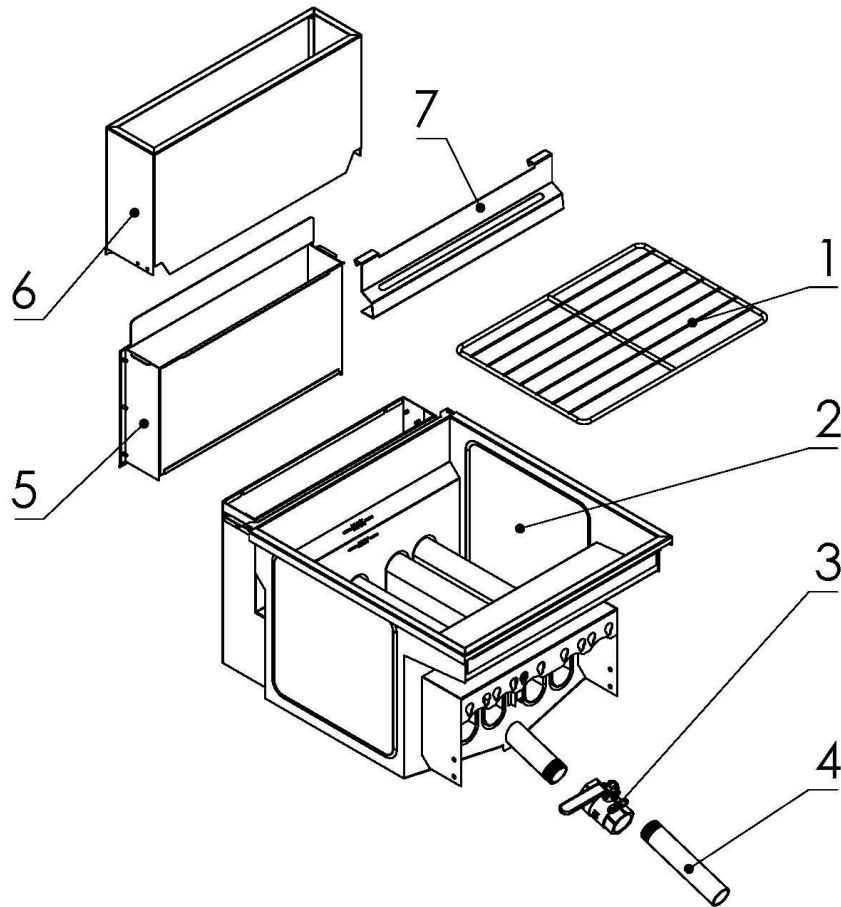
EXPLODED VIEW With Replacement/Accessory Part Numbers

1. Gas Parts for Fryer (5 tube shown)



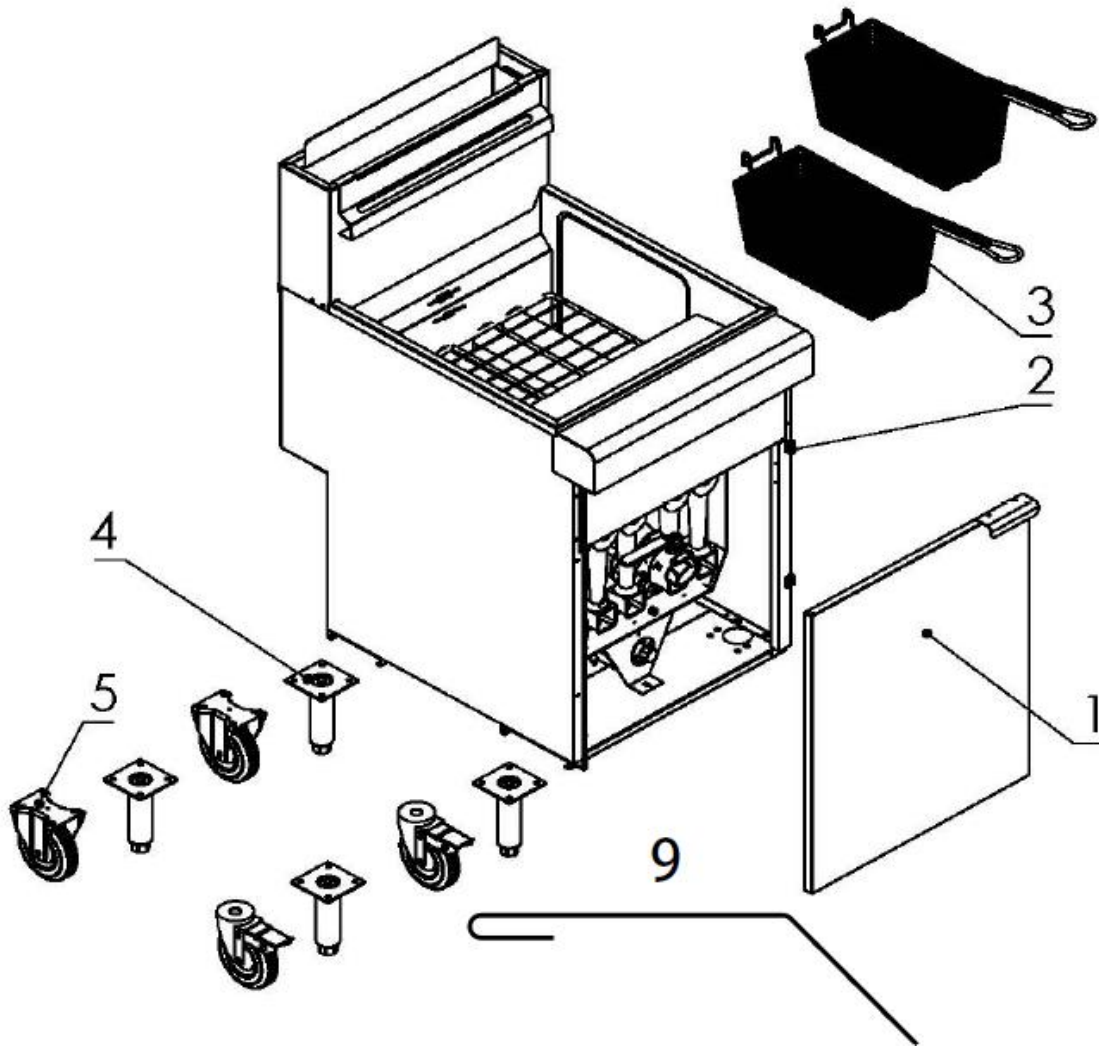
Key	Part Number	Qty	Description
1	Part of 14031A	1	Knob, for thermostat
2	16031A	1	Thermostat, High Limit 450 °F Safety,
3	14031A	1	Mili-volt Thermostat for Fryer , Regulates Temperature 200 ~ 400 °F
4		1	Adaptor , 1/2" to 3/4", and plastic cap (to discased before connection)
5	13031A	1	Safety thermopile 18" for Polit
6	12011A	1	Pilot for Natural Gas
	12021A	1	Pilot for Liquid Propane
7	12041A	1	Syphon Tubing, 1/4" for Thermopile
8	11011A	1	Mili-volt Combination valve for Natural Gas
	11021A	1	Mili-volt Combination valve for Liquid Propane
9	20031A	ea	Burner, Fryer
10	21011A	ea	Orifice # 39 , for Natural Gas
	21021A	ea	Orifice # 52 , for liquid Propane
11	10061A	1	Gas Supply Piping 3 - burner Manifold
	10062A	1	Gas Supply Piping 4 - burner Manifold
	10063A	1	Gas Supply Piping 5 - burner Manifold

2. Tank Parts (5 tube shown)



Key	Part Number	Qty	Description
1	36031A	1	Screen, crumb, 3 and 4 tube fryer
	36033A	1	Screen, crumb, 5 tube fryer
2	30031A	1	Tank, 3 tube fryer (excluding flue)
	30032A	1	Tank, 4 tube fryer (excluding flue)
	30033A	1	Tank, 5 tube fryer (excluding flue)
3	35031A	1	Valve, Ball
4	35032A	1	Drain pipe, extension
5	31031A	1	Flue, top, removable, 3 tube fryer
	31032A	1	Flue, top, removable, 4 tube fryer
	31033A	1	Flue, top, removable, 5 tube fryer
6	32031A	1	Flue, wrap, top, removable, 3 and 4 tube fryer
	32033A	1	Flue, wrap, top, removable, 5 tube fryer
7.	33031A	1	Basket Hanger, 3 and 4 Tube fryer
	33033A	1	Basket Hanger, 5 Tube fryer

3. Other Parts (Including Optional castor installation parts)



Key	Part Number	QTY	Description
1	40031A	1	Door assembly, complete, 3 and 4 tube
	40033A	1	Door assembly, complete, 5 tube
2	41031A	1	Magnet for door
3	51031A	2	Basket double, 3 and 4 tube fryer
	51033A	2	Basket double, 5 tube fryer
4	52031A	4	Leg , 6", adjustable,
		1 set	Leg Kit, 6", adjustable, Set of 4 with mounting hardware
5	53031A	2	Optional Caster , 4", with brake
	53031B	2	Optional Caster , 4", , without brake
	53051A	1 set	Optional Caster Kit, 4", set of 4 (two w/brake and two w/o brake) with mounting hardware
6	10031A	1	4' Long Quick Connect Hose (Optional required by customer)
7	10041A	1	3' Restraint Cable
8	10051A	1 set	Gas connection system for Mobile Fryers (Including 10031A and 10041A)
9		1	25" Fryer Drain Clean-out Rod



Burner Carbon Deposits are caused by the wrong size supply orifice, an improper pressure set up or an obstructed flue. **Vibration & shock such as slamming the access door or shaking/hitting the fry basket on the fryer top surface may cause the high limit safety switch to open— additional cushioning may help absorb these vibrations and shock**

The free standing liquid shortening Gas Fryers come on 6" leveling legs with 2 fry baskets. The tube burner must be submerged in frying oil before the gas valve, pilot &/or tube burners are turned on. Recommended (not included) accessories.



Casters



Skimmer



Crumb Scoop



Long Stem Thermometer



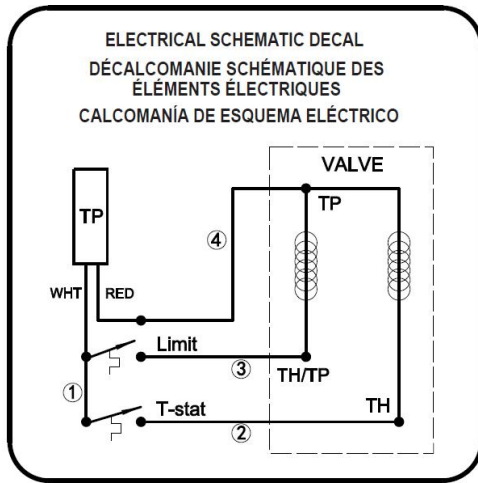
High Temp Vat Cleaning Brush



Filtering the oil & cleaning the tank daily along with skimming the oil to remove crumbs & food particles before they can carbonize throughout the day in the oil set to the proper calibrated temperature (350°F for most products) will extend the oil life.

Some accessories come with the fryer, others need to be purchased – manufacturer approved items are recommended

ELECTRICAL CONTROL SCHEMATIC DIAGRAM (Describes Mili-volt System)



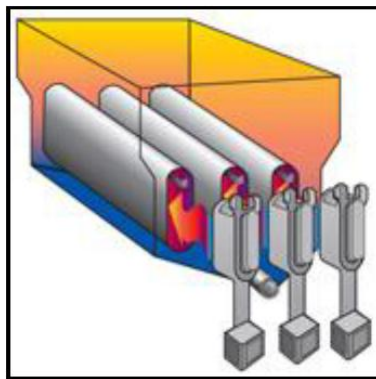
This Gas Fired Appliance doesn't need a wall outlet (electrical service) connection

DESCRIPTIVE DRAWING OF THE FRY TANK

Plan View of a Fry Tank showing typical 30,000 BTU/Hour Tube Burners, the thermostat & a High Limit Sensor



Cutaway View of a Fryer Tank showing the Hot Oil Fry Zone, Tube Burner Middle Zone with Thermostat & High Limit Safety and Bottom Drain & Crumb or Burned Breeding Accumulation Area – also known as a Cold Zone:



*** Three Tube Burner Tank shown in this Illustration: It is recommended to Drain the Oil nightly, remove all crumbs from the cold zone and clean the tank sides & between the tube burners using a stiff bristle brush. Only refill the unit with oil if the vat is dry.

SAFETY APPAREL

Typical Fry Baskets and Basket Hangers

Needed Fryer Protective Apparel – Gloves & Face Shield

Always wear and use appropriate safety gear & tools when servicing the Fryer

Hot Oil Can Cause Severe Burns



Recommended or Factory Approved Accessories can be ordered by calling 1-877-600-8401.

Our line of accessories include safety apparel (gloves, face shield and apron), a digital long stem thermometer for calibrating and checking the thermostat, high temperature cleaning brushes, a filter bag, casters, an auxiliary container to hold the tank contents when cleaning or filtering the hot oil, quick connect gas supply hose and a restraint cable.

BENEFITS, FEATURES AND OPTIONS REGARDING THIS FRYER

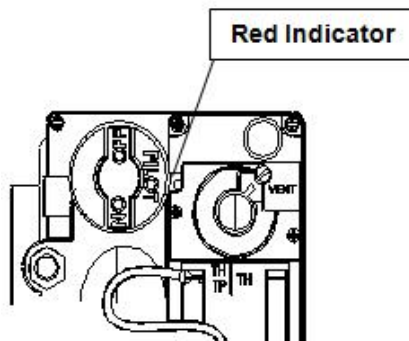
- a. Trained team of Tech service specialists to resolve any warranty or performance issues with your fryer provide around the clock assistance and dispatching of local service technicians if a repair call is needed
 1. Spare parts stocked at various US depots to maximize service response times & minimize down time
 2. Trained Service Agent network performs needed PM or service so the fryer operates at peak condition
 3. Independent 3rd party certification of commercial duty worthiness with respect to the following attributes
 - a) Reliable, safe gas components & controls [conforms to gas connection & exhaust ventilation requirements]
 - b) Sanitation and cleanability – meets the latest sanitary design criteria
 - c) Operator safety including appliance stability if casters are installed in lieu of leveling legs
 - d) Heat transfer performance of the appliance, the tube burners, thermostat, gas valve and standing pilot
- b. All fry vats are continuously seam metal inert gas arc welded & hydrostatically pressure tested to ensure years of reliable, leak free operation. Our 100% inspected and tested fryer vats come with an extended 2 year warranty
- c. Our fryers are 100% QA tested for proper burner performance, complete vat drainage, temperature calibration, correct gas flow & orifice (natural gas or LP), then run through a boil out to ensure a clean debris - grit free fry vat. After its boil out, the fry vat's sprayed/coated with a fine layer of vegetable oil to prevent any corrosion in shipment.
- d. Every fryer's checked for the proper shortening vat volume and a simple ½" or ¾" diameter gas line connection
- e. Each atmospheric tube burner has internal baffling to improve the appliance's thermodynamic efficiency. They're built & tested to the same exacting specifications regardless of fryer model or vat size so spare parts and service when required can be properly dispatched within 24 hours resulting in minimal down time & years of reliable, cost effective operation. Each atmospheric tube burner delivers 30,000 btu/hr if it is properly tuned & adjusted.
- f. Optional accessory kits are available to facilitate the following conditions: {should meet any operational needs}
 1. Safe fryer operation apparel including gloves, face shield and apron
 2. Shortening quality and extended oil life elements including filter net, secondary oil container matching the vat volume, stiff bristle fry vat brush, drain line clean out rod, mesh debris skimmer and fry pot boil out compound

3. Long stem (24") digital oil temperature thermometer for quality checks, servicing & calibration confirmation
 4. Casters with quick disconnect gas hose & restraining cable allows unit to be easily moved for cleaning
 5. Vat cover to help minimize gas consumption yet keep the fryer in state of operational readiness
 6. Joining strip to interlock 2 side by side fryers and prevent oil dripping/seepage onto their lateral side walls
 7. Splash guard keeps oil from being flung outside the immediate fryer area (possibly onto an open flame, range top burner or heater element resulting in a higher possible/potential fire hazard risk)
 8. Various sizes of specialty fry baskets (each unit comes with ½ size French fry baskets)
 9. Gas conversion kit for natural gas and liquid propane as well as replaceable orifice for various site elevations
 10. Fry oil life sampling kit including eye dropper and oil reference color vials
 11. Fry filter cone frame
 12. Filter cone paper inserts and diatomaceous earth cleaning powder
- g. Comes with mili-volt thermostat regulating the liquid shortening temperature between 200 & 400°F (93-204°C)
 - h. Integral gas valve and standing pilot shuts the gas flow off if the pilot flame is ever extinguished
 - i. Comes with high oil temperature limit that completely shuts off the fryer gas flow if the primary thermostat fails
 - j. Excellent oil temperature recovery time delivers outstanding fried food capacity for the selected fryer size
 - k. Large cold zone minimizes carbonized debris & food particles preserving fried food flavor & extending the oil life
 - l. Thermostat sensor positioning and wire routing minimizes risk of getting snagged by the fry basket movement
 - m. Heavy duty nickel plated fry basket wiring results in longevity and high quality finished fried foods
 - n. Provided operating manual with trouble shooting guide ensures that your served fried foods are of the highest quality and production down time due to the fryer underperforming will be minimized or eliminated completely
 - o. Comes with 1 year warranty for parts and labor for the entire appliance if properly installed and maintained
 - p. 3 fryer sizes to meet your operational production demand and menu flexibility needs (40 lb, 50 lb & 70 lb vats)

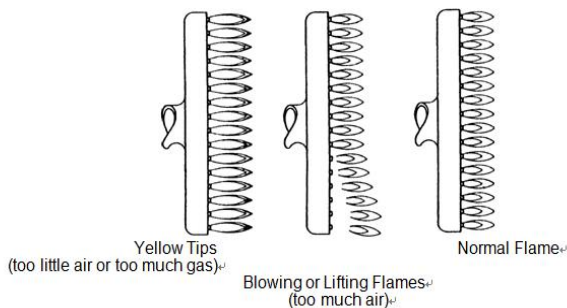
TUNING THE GAS CONTROL SYSTEM COMPONENTS

• CHECKING AND ADJUSTING MAIN BURNERS

The main burners should burn with a steady blue flame, and the inner cone of the flame from each port should be about 3/4" long. The flame from each main burner should enter each heat tube without touching the front of the fry pot or the sides, top, or bottom of each tube.



Gas Valve Drawing

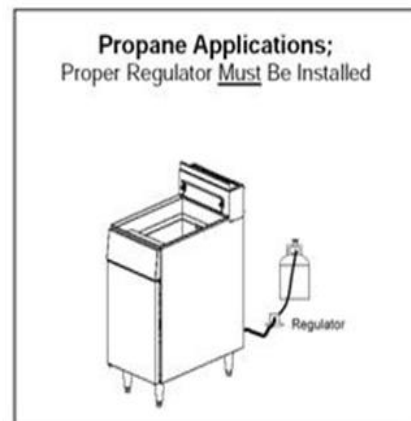


The Tube Burner Flames Must be Properly Tuned

CHECKING AND ADJUSTING PRESSURE REGULATOR

The combination gas valve (includes pressure regulator) is factory set at 4" W.C. for natural gas and 10" W.C. for propane gas. To check the manifold pressure, do the following:

1. Turn thermostat "OFF" and combination gas valve knob to the "PILOT" setting.
2. Remove pressure tap plug from burner manifold located directly below the burners in the cabinet.
3. Install a fitting appropriate to connect a manometer.
4. Turn combination gas valve to "ON" position and thermostat to "ON." The burners will ignite. Be certain that sufficient oil is covering the tubes.
5. With burners on, read manometer.
6. If the manometer does not read 4" W.C. for natural gas, or 10" W.C. for propane gas, adjust regulator.
7. Remove regulator adjustment screw cap (see diagram on page 15).
8. With small screwdriver rotate adjustment screw "CLOCKWISE" to increase or "COUNTERCLOCKWISE" to decrease pressure. Be sure to adjust with burners "ON."
9. Turn thermostat "OFF" and set combination gas valve knob to "PILOT" position.
10. Remove manometer and replace pressure tap plug.
11. Replace adjustment screw cap.

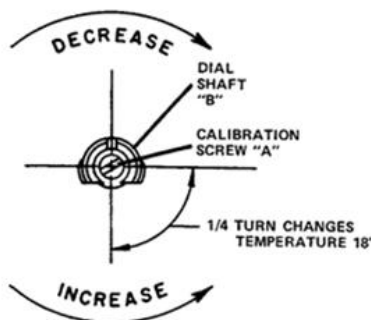


Propane requires an external regulator.

CHECKING AND ADJUSTING CALIBRATION OF THERMOSTAT

All thermostat controls are carefully calibrated at the factory (i.e., the dial is properly set to control appliance temperatures accurately). Only a qualified appliance service technician should perform this adjustment.

1. To check appliance temperatures, use a thermocouple-type temperature test instrument or reliable thermometer. Place the thermocouple of test instrument or thermometer in the center of the frypot.
2. Turn the control dial to the temperature setting requiring the greatest accuracy. Allow enough time for temperature to stabilize, or until several temperature readings are identical.
3. Recalibrate if setting and actual temperature differ by more than 10°F.
4. Remove dial from dial shaft "B." Be careful that dial shaft does not rotate in either direction (which would change the dial setting).
5. Hold dial shaft "B" steady and with a screwdriver turn calibration screw "A" clockwise to decrease the temperature, or counterclockwise to increase the temperature.
6. Replace dial. Let the appliance operate until the temperature has stabilized before a final check is made to determine whether or not the calibration has been corrected.
7. Once correct, seal the calibration screw with glyptol.

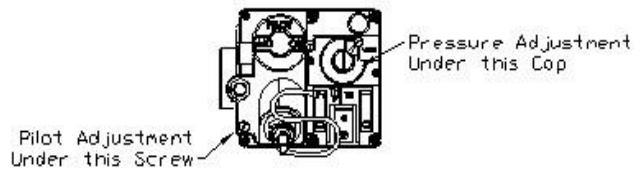


It is suggested that an accurate digital long Stem Thermometer be used to calibrate the thermostat.

CHECKING AND ADJUSTING AUTO SAFETY PILOT

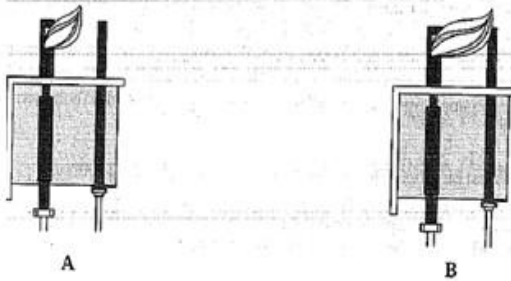
The pilot flame should surround the thermopile for 1/2". It must be large and sharp enough to cause the thermopile to glow a dull red, or sufficient to hold the safety valve open.

1. Remove pilot adjustment cap



2. Adjust pilot key to provide properly sized flame shown in diagram B.

Diagram A shows an improperly adjusted pilot



3. Replace pilot adjustment cap.

If the pilot flame is extinguished, the Thermopile will sense the situation and shut off gas at the automatic gas valve.

The high Limit safety is factory set at 450°F (232°C). If the oil temperature reaches this value, the sensor shuts off the supply of gas at the automatic gas valve – don't attempt to relight/restart the system again until the oil temperature is below 350°F (177°C) and possibly having the thermostat checked for proper performance.

Note: due to site and hardware variations the oil temperature may reach 475°F (246°C) before the gas valve fuel supply is shut off.

This fryer if properly maintained and operated correctly including the daily cleaning will provide years of reliable, dependable performance making top quality product as it is built and designed to the highest industry standards. Read the manual and refer to it when appropriate especially if a new operator or technician is used.



FRITEUSES AU GAZ À GRAISSE ALIMENTAIRE

MODÈLE:

BMF40-90 - 3 Brûleurs à tube, cuve de 18,16 kg (40 lb) (90 000 btu/hre)

BMF50-120- 4 Brûleurs à tube, cuve de 22,70 kg (50 lb) (120 000 btu/hre)

BMF70-150- 5 Brûleurs à tube, cuve de 31,78 kg (70 lb) (150 000 btu/hre)

GUIDE D'INSTALLATION, D'ENTRETIEN ET D'UTILISATION

(couvre les installations fixes et mobiles)

****Le gaz naturel (GN) ou le propane liquide (PL) peut alimenter les friteuses ****

N'oubliez pas que l'huile et l'eau ne sont pas compatibles. Ne tentez pas de lutter contre un incendie d'huile avec de l'eau.

Au cas où vous détectez une odeur de gaz, coupez l'alimentation en gaz à la soupape d'arrêt principal de gaz et communiquez avec la compagnie du gaz locale ou votre prestataire/fournisseur de gaz pour un service!

Merci de choisir nos friteuses pour vos besoins opérationnels. **Suivez ces instructions avec soin.**

Si vous utilisez et entretenez ces produits correctement, vous pouvez escompter profiter pendant des années d'une utilisation fiable, efficace et de qualité supérieure.

Remarque : La ligne de produits fait l'objet de mises à jour et améliorations continues. Les caractéristiques spécifiques à chaque modèle peuvent faire l'objet de modifications sans préavis.

Conservez ce guide pour la formation et à titre de référence lorsque vous avez besoin d'un service ou entretien.

Conservez une copie de votre contrat de vente et rapport final d'inspection du bâtiment pour l'installation de la friteuse puisque ces deux documents vous permettront de déterminer la période de garantie de votre appareil et la date à laquelle la couverture commence.

PIÈCES :Pour les pièces autorisées, veuillez composer le : **1 877 368-2797**

SERVICE :Pour les services techniques, veuillez composer le : **1 877 368-2797**

TABLE DES MATIÈRES

AVERTISSEMENT SI VOUS DÉTECTEZ UNE ODEUR DE GAZ – (Mesures de sécurité à prendre) _____	PAGE DE GARDE
IMPORTANT POUR VOTRE SÉCURITÉ _____	2
INTRODUCTION _____	3
Général	
Commander des pièces	
Capacité des friteuses	
Déballage	
INSTALLATION _____	4
Dégagements	
Emplacement	
Installation du conduit de fumée	
CODES ET NORMES _____	6
ASSEMBLAGE _____	6
Évacuation du conduit de fumée	
Raccord de gaz	
Pression du gaz	
Tester les raccords de conduites d'alimentation en gaz	
Installations des friteuses mobiles	
Mettre la friteuse à niveau	
UTILISATION _____	10
Arrêt en cas de surchauffe	
Avant la première utilisation/le premier nettoyage	
Remplir le réservoir de graisse alimentaire	
Allumer la veilleuse	
Allumer et éteindre la friteuse	
Arrêt prolongé	
INSTRUCTIONS DE FRITURE DE BASE _____	12
Directives relatives au panier de friture	
Prolonger la durée de vie de la graisse alimentaire	
Filtrage quotidien	
NETTOYAGE _____	14
Calendrier d'entretien et de traitement assainissant < Quotidien, mensuel, semestriel >	
PROCÉDURE DE DÉBOUILLISSAGE _____	15
INSPECTION ET ENTRETIEN DE L'ÉVENT DU CONDUIT DE FUMÉE _____	16
Service aux É.-U. et Canada	
TABLEAU DE DÉPANNAGE - GUIDE _____	16
GARANTIE _____	17
SPÉCIFICATIONS et APPROBATIONS DE SERVICE COMMERCIAL PAR DES TIERS _____	18
SCHÉMAS, VUES ÉCLATÉES _____	19
Vue éclatée avec numéros des pièces de rechange/accessoires	
Diagramme schématique des commandes électriques (décrit un système en millivolts)	
Schéma descriptif du réservoir à friture	
VÊTEMENTS DE PROTECTION (RECOMMANDÉS) _____	24
AVANTAGES, CARACTÉRISTIQUES ET OPTIONS CONCERNANT LA FRITEUSE _____	24
RÉGLAGE DES ÉLÉMENTS DU SYSTÈME DE COMMANDE DU GAZ _____	26

IMPORTANT POUR VOTRE SÉCURITÉ

Utilisation/rendement corrects de votre friteuse au gaz à graisse alimentaire liquide.

VEUILLEZ LIRE LES INSTRUCTIONS D'INSTALLATION, UTILISATION ET ENTRETIEN AVEC SOIN AVANT D'INSTALLER, ENTRETENIR, RECONFIGURER, SURVEILLER, UTILISER OU RÉPARER CET ÉQUIPEMENT. CE GUIDE A ÉTÉ PRÉPARÉ À L'USAGE D'UN PERSONNEL QUALIFIÉ POUR INSTALLER L'ÉQUIPEMENT À GAZ. APRÈS AVOIR PASSÉ EN REVUE ET SUIVI LES INSTRUCTIONS/DIRECTIVES DE CE GUIDE AVEC SOIN, SEUL LE PERSONNEL QUALIFIÉ AYANT LU CE GUIDE, DOIT EFFECTUER LES RÉGLAGES INITIAUX DE DÉMARRAGE SUR LE TERRAIN ET DE L'ÉQUIPEMENT.

Cette friteuse est conçue et approuvée pour un usage commercial uniquement et n'est pas fabriquée pour des applications résidentielles.

UNE INSTALLATION, UN SERVICE, UN RÉGLAGE, UNE MODIFICATION OU UN ENTRETIEN INADÉQUATS PEUVENT CAUSER DES DOMMAGES MATÉRIELS, DES DÉFAILLANCES DE RENDEMENT PRÉMATURÉES, DES BLESSURES, OU MÊME LA MORT.

 **AVERTISSEMENT : UN MANQUE À SE CONFORMER (MÊME EN PARTIE) AUX CONSIGNES FOURNIES DANS CE GUIDE ANNULERA LA GARANTIE DU PRODUIT ET DÉCHARGE LE FABRICANT DE TOUTE RESPONSABILITÉ.**

Ce livret d'instructions doit demeurer avec la friteuse pour une consultation ultérieure. Si la friteuse est vendue ou transférée à un autre utilisateur, veuillez vous assurer que le livret accompagne toujours l'appareil, de façon à ce que le nouveau propriétaire puisse disposer des renseignements nécessaires quant au mode d'emploi et les instructions connexes.

AFFICHEZ LES INSTRUCTIONS À SUIVRE EN CAS DE DÉTECTION D'UNE ODEUR DE GAZ DANS UN EMPLACEMENT BIEN VISIBLE. VOUS POUVEZ OBTENIR CES RENSEIGNEMENTS AUPRÈS DU FOURNISSEUR DE GAZ LOCAL. Si vous détectez une odeur de gaz, FERMEZ IMMÉDIATEMENT LA SOUPAPE D'ARRÊT PRINCIPALE DE L'ALIMENTATION EN GAZ, QUI INTERROMPT TOUT DÉBIT DE GAZ VERS CET APPAREIL.


En vue de maintenir la garantie de l'équipement, l'installation et le service doivent être effectués par des techniciens qualifiés, avec les pièces de rechange ou accessoires installés sur l'équipement fournis par l'usine. Utilisez uniquement les roulettes ou pieds de mise à niveau autorisé(e)s et approuvé(e)s en usine ou par le distributeur pour soutenir cette friteuse. Elle doit se tenir verticalement et de niveau à l'emplacement souhaité avant d'être mise en marche avec un raccord de conduite d'alimentation en gaz sur le robinet à gaz alimentant les veilleuse/brûleurs.


POUR VOTRE SÉCURITÉ

**NE RANGEZ OU N'UTILISEZ AUCUNE ESSENCE OU AUTRES VAPEURS OU LIQUIDES INFLAMMABLES À PROXIMITÉ DE CET APPAREIL OU TOUT AUTRE APPAREIL DE CUISSON AU GAZ.
Gardez l'espace entourant tous les appareils de cuisson au gaz dégagé et sans matières combustibles.**

ATTENTION : Il se peut que l'huile brûlante éclabousse et sorte de l'appareil à tout moment, entraînant ainsi un risque de dérapage, de chute ou de brûlure.

Lorsque vous travaillez sur, surveillez ou utilisez l'unité, veuillez porter des vêtements de protection appropriés!

 **Attention : Cette friteuse est conçue pour une utilisation avec une graisse alimentaire liquide uniquement (non solide).** Ajouter directement une graisse alimentaire solide comme l'huile de palme, l'huile de noix de coco et de suif à la friteuse, lorsque les brûleurs à tube ne sont pas complètement immergés, peut endommager cet appareil et annuler la garantie de son fabricant. Si vous souhaitez utiliser une graisse alimentaire solide, faites la fondre au préalable avant de verser l'huile liquide avec précaution et en toute sécurité dans la cuve à friture. Une fois que les tubes des brûleurs sont entièrement couverts de graisse alimentaire, de la graisse alimentaire solide peut être ajoutée directement pour faire monter le niveau de l'huile jusqu'au niveau de remplissage maximum de la cuve à friture.

 **NE TENTEZ PAS D'ALLUMER LA VEILLEUSE OU DE LAISSER LA VEILLEUSE ALLUMÉE LORSQUE LA CUVE À FRITURE EST VIDE OU SI LE NIVEAU D'HUILE NE RECOUVRE PAS COMPLÈTEMENT LES BRÛLEURS À TUBE. IGNORER CET AVERTISSEMENT ANNULERA LA GARANTIE DE LA FRITEUSE.** Si la veilleuse et les brûleurs principaux s'éteignent, il faut arrêter l'appareil pendant ≥ 5 minutes avant d'allumer à nouveau la friteuse pour la remettre en marche.

INTRODUCTION

GÉNÉRAL

Nos friteuses à gaz commerciales sont fabriquées avec soin et avec des matériaux de qualité. Une installation, un usage et un entretien corrects vous donneront de nombreuses années de satisfaction et de rendement économique vous permettant de créer des aliments frits savoureux, de haute qualité et délicieux.

Ce guide convient aux modèles mentionnés sur la page de garde. Les procédures décrites dans ce guide concernent tous les modèles, sauf indication contraire. Les images et illustrations peuvent représenter n'importe quel modèle, à moins que l'image ou l'illustration ait besoin de représenter un modèle particulier et est alors identifiée comme tel.

COMMANDER DES PIÈCES

Pour accélérer votre commande, veuillez fournir le numéro de modèle, le numéro de série, le type de gaz, la pièce requise, le numéro de pièce (si vous le connaissez) et la quantité requise.

CAPACITÉ DE LA FRITEUSE

MODÈLE	Nbre de tubes	BTU / heure	Largeur en cm (po)	Poids de la graisse
BMF40-90NAT&LP	3	90 000	39 (15,5)	16 à 18 (35 à 40)
BMF50-120NAT&LP	4	120 000	39 (15,5)	21 à 23 (45 à 50)
BMF70-150NAT&LP	5	150 000	53 (21,0)	29 à 33 (65 à 73)

DÉBALLAGE

Cette friteuse a été inspectée avec soin avant de quitter l'usine. Une fois qu'il accepte d'en faire l'expédition, le transporteur assume la responsabilité entière de sa livraison en toute sécurité. Immédiatement après le déballage de la friteuse, vérifiez qu'elle n'a pas été endommagée pendant le transport. Si elle est endommagée, gardez le matériau d'emballage et communiquez avec le transporteur dans les 2 jours suivant la livraison.

Vérifiez que les articles suivants sont compris :

- ◆ Grille de support du panier grillagé (en position, cette grille repose au-dessus des brûleurs à tube)
- ◆ Dispositif de suspension du panier
- ◆ Pieds réglables (4) {dans certains cas, 4 roulettes dont deux ont des freins}
- ◆ Rallonge de tuyau de vidange
- ◆ Paniers de friture jumeaux (2)
- ◆ Rallonge de cheminée d'évacuation du conduit de fumée avec plaque de déviation
- ◆ Guide et carte de garantie – Conservez le guide à titre de référence ultérieure, envoyez la carte remplie.

N'utilisez pas la porte ni sa poignée en vue de soulever la friteuse.

REMARQUE : Certaines pièces ou éléments essentiels peuvent être expédiés dans des emballages séparés, dans la cuve de friture ou même dans le conteneur principal d'expédition de la friteuse ou son matériau d'emballage. Faites attention à ne pas jeter ou perdre ces articles qui sont nécessaires pour une utilisation réussie, sécuritaire et efficace de cet appareil.

N'utilisez que des pieds ou roulettes de soutien et mise à niveau de la friteuse approuvé(e)s et autorisé(e)s par l'usine ou le distributeur pour assurer un fonctionnement sécuritaire de la friteuse et la validité de sa garantie.

INSTALLATION

Avant d'installer la friteuse, vérifiez que le type de gaz (naturel ou propane liquide [PL]) soit conforme aux spécifications de la plaque signalétique de la friteuse. La plaque signalétique de la friteuse se trouve à l'intérieur du panneau de porte. Assurez-vous que la friteuse est configurée pour l'altitude appropriée (au-dessus du niveau de la mer) de l'établissement.

Enregistrez le numéro de modèle et de série de la friteuse à gaz à titre de référence ultérieure dans l'espace prévu ci-dessous.

Ces renseignements se trouvent sur la plaque signalétique de la friteuse. Enregistrez également la date d'installation.

Friteuse Modèle N° : _____ **Date d'Installation :** _____ **N° de série :** _____

DÉGAGEMENTS

- Accordez suffisamment d'espace et d'accessibilité pour permettre un entretien et une utilisation adéquats de l'appareil.
- Dégagement minimum pour une construction combustible :
 - 15 cm (6 po) des CÔTÉS de la friteuse
 - 15 cm (6 po) du DOS de la friteuseLa friteuse peut être installée sur les planchers combustibles (si des pieds de mise à niveau ou roulettes approuvé(e)s en usine sont utilisé(e)s – la garantie est annulée si toute autre méthode de montage est utilisée)
- Dégagement minimum pour une construction non combustible :
 - 0 cm (0 po) des CÔTÉS de la friteuse
 - 0 cm (0 po) du DOS de la friteuse
- Entre la friteuse et toutes unités à flamme nue ou appareils de chauffage et brûleurs non protégés :
 - 41 cm (16 po). Un pare-flamme peut être utilisé si les codes et officiels locaux le permettent

EMPLACEMENT

- L'installation doit se conformer aux codes locaux du bâtiment et doit être approuvée par les inspecteurs en bâtiment ou des incendies autorisés avant de mettre la friteuse en marche à des fins d'utilisation.
- Installez la friteuse dans un emplacement bénéficiant d'une alimentation en air suffisante pour une combustion du gaz dans les brûleurs à tube.
- Ne bloquez pas le débit d'air de combustion et de ventilation de l'appareil.
- Assurez un dégagement adéquat pour les ouvertures d'air dans la chambre de combustion.
- Ne laissez pas les ventilateurs souffler directement sur la friteuse puisqu'ils pourraient nuire au rendement du brûleur ou de la vanne d'arrêt de sécurité de la veilleuse et même éteindre la veilleuse.
- Évitez les ventilateurs de type mural qui créent des courants transversaux dans une pièce. Évitez d'ouvrir les fenêtres situées à proximité des côtés ou du dos de la friteuse. Testez la ventilation de la pièce ou les conduits d'air pour vous assurer qu'ils ne soufflent pas directement sur cet appareil puisque ceci pourrait nuire à la performance.
- Assurez-vous que le plancher permet à la friteuse de reposer de niveau et de façon sécuritaire lorsqu'elle est en place pour un fonctionnement, service et nettoyage corrects.
- Aucun raccord électrique n'est requis pour cet appareil puisque le schéma de commande standard utilise des composants en millivolts [et peut-être un allumeur piézo] qui n'utilisent/ne nécessitent pas un circuit de 115/120 volts.
- Pour les friteuses mobiles, un tuyau d'alimentation en gaz à raccordement rapide avec câble de retenue approuvé est requis.

Le raccordement détermine quel dispositif de retenue empêchera la friteuse de basculer et évitera tout risque d'éclaboussure, déversement ou ballonnement d'huile brûlante hors de l'unité.

- Installez la friteuse sous une hotte à évacuation de ventilation approuvée, opérationnelle et de taille appropriée avec le surplomb requis de 15 cm minimum entourant la friteuse (un style air d'appoint est suggéré) qui est accompagné d'un système de protection contre les incendies intégré et testé (par ex. Ansul™)
- Le diagramme schématique électrique de l'appareil est situé à l'intérieur de la porte.
- Ne raccordez pas le conduit de fumée ou d'évacuation de la friteuse à la hotte de ventilation.
- Les filtres à graisses de la hotte doivent se trouver à au moins 45 cm au-dessus du conduit d'évacuation de fumée de la friteuse.

INSTALLATION DU CONDUIT DE FUMÉE :

AVERTISSEMENT AVANT D'UTILISER LA FRITEUSE, INSTALLEZ ET ASSEMBLEZ LE CONDUIT DE FUMÉE DE 26,98 CM ET LA PLAQUE DE DÉVIATION SUR LA FRITEUSE.

1. Déballez le boîtier du conduit de fumée et l'enveloppe du conduit de fumée



2. Faites glisser le boîtier du conduit de fumée par-dessus le conduit de fumée et fixez-le fermement avec les deux vis autotarodeuses à l'aide d'une douille de 5/16 po



3. Faites glisser l'enveloppe du conduit de fumée par-dessus le conduit de fumée [Assurez-vous que la friteuse est placée correctement sous la hotte avec un surplomb approprié de tous les côtés de l'appareil – le code exige une distance de surplomb de la hotte de ≥ 15 cm]



4. Fixez-la fermement avec quatre vis autotarodeuses, deux au dos et une de chaque côté, à l'aide d'une douille de 5/16 po



CODES ET NORMES

La friteuse doit être installée conformément à tous les codes, réglementations et ordonnances nationaux et locaux applicables. Une visite d'établissement et inspection incendie finale doit être effectuée et l'installation approuvée avant de mettre la nouvelle friteuse en service.

Aux États-Unis :

Conformité aux codes de l'État ou locaux ou, en l'absence de codes locaux, à :

- National Fuel Gas Code, ANSI-Z223.1/NFPA n° 54 (dernière édition). Vous pouvez obtenir des copies des normes auprès de The American Gas Association Accredited Standards Committee Z223, @ 400 N. Capital St. NW, Washington, DC 20001, ainsi que du Secretary Standards Council, NFPA, 1 Batterymarch Park, Quincy, MA 02169-7471 ou en ligne.
- Norme NFPA n° 96 *Vapor Removal from Cooking Equipment (Élimination des vapeurs de l'équipement de cuisson)*, dernière édition, à obtenir auprès de la National Fire Protection Association, Batterymarch Park, Quincy, MA.
- Normes ANSI Z 21.69 et Z 21.41 si installée sur des roulettes afin de la rendre mobile pour le nettoyage et l'entretien (assurez-vous que la friteuse est stable et de niveau dans tous les emplacements où elle sera utilisée). S'il est nécessaire de détacher l'appareil de son câble de retenue pour une raison quelconque, veillez à ce qu'il soit rattaché avant de le remettre en service.
- Dans le Commonwealth du Massachusetts, tous les appareils au gaz aérés par une hotte de ventilation ou système d'évacuation avec un registre de tirage ou un moyen d'évacuation électrique doivent se conformer à la norme réglementaire ou au nombre 248 CMR du Commonwealth.

Au Canada :

Conforme à tous les codes locaux en vigueur

- CAN/CSA-B149.1 Natural Gas and Propane Code Installation (dernière édition), disponible auprès de la Canadian Gas Association 350 Sparks Street, Ottawa, Ontario Canada K1R 7S8.
- CSA C22.1 Canadian Electric Code L4W 5N6.
- Normes CSA 6.16 et 6.9 si installée sur un ensemble de roulettes approuvées par le fabricant ou distributeur pour la rendre mobile (voir les commentaires suivants concernant l'utilisation d'un câble de retenue)


ASSEMBLAGE

La friteuse doit être immobilisée correctement pour empêcher tout basculement et éclaboussure de liquide brûlant. Les moyens d'immobilisation peuvent consister en le mode d'installation, tel que le raccordement sur un ensemble d'appareils, l'installation de la friteuse dans une alcôve ou par des moyens séparés, tels que des fixations ou un câble de retenue adéquat(e)s si elle est posée sur des roulettes pour la rendre mobile et lui permettre d'être roulée dans différentes positions sécuritaires.

S'il est nécessaire de détacher l'appareil de son câble de retenue pour une raison quelconque, veillez à ce qu'il soit rattaché avant de le remettre en service.

ÉVACUATION DU CONDUIT DE FUMÉE

- Conforme à la norme ANSI-NFPA n° 96 *Vapor Removal from Cooking Equipment (Élimination des vapeurs de l'équipement de cuisson)* (dernière édition), disponible auprès de la National Fire Protection Association, Batterymarch Park, Quincy, MA 02269.
- Placez la friteuse sous une hotte dotée d'une connexion adéquate à un conduit d'évacuation. La hotte doit dépasser la friteuse de 15 cm (6 po) de chaque côté, ainsi qu'à l'avant et au dos si elle est montée contre un mur arrière ou dans une configuration d'îlot de cuisson.
- Le dégagement au-dessus de la friteuse doit être suffisant pour permettre à tous les sous-produits de combustion d'être retirés de manière efficace et sécuritaire, sans créer de risque d'incendie.

 **Aucune modification de matériau structural de la friteuse ou de sa cheminée de conduit de fumée, y compris toute modification physique, ne doit être apportée de façon à pouvoir la placer sous une hotte d'évacuation approuvée avec une protection contre les incendies**

- Un dégagement minimum de 46 cm (18 po) doit être maintenu entre l'évent du conduit de fumée et les filtres d'élimination de graisse du système de ventilation de la hotte.
- N'effectuez jamais de raccordement de conduits de fumée directement entre la friteuse et la hotte d'évacuation.
- Ne bloquez pas le débit des gaz de l'appareil. Un équilibre adéquat de l'air doit être maintenu dans la pièce. Le système d'évacuation doit se conformer à toutes les exigences, réglementations, ordonnances et codes du bâtiment locaux applicables relatifs au renouvellement de l'air.
- Assurez-vous que votre système de ventilation ne cause pas un contre-tirage au niveau de l'ouverture du conduit de fumée de la friteuse. Un contre-tirage empêchera l'évacuation appropriée de la friteuse et causera une surchauffe qui pourrait entraîner des dommages permanents. Les dommages résultant d'un contre-tirage ne sont pas couverts par la garantie de l'équipement. Ne laissez jamais rien bloquer le conduit de fumée ou la ventilation sortant du conduit de fumée de la friteuse.
- NE placez RIEN sur l'espace ouvert du conduit de fumée, qui pourrait nuire au débit du gaz d'évacuation.

RACCORDEMENT DE GAZ

NOTICE

Tous les raccordements de gaz et toute pâte à joint pour conduite doivent résister à l'action des gaz propanes ou de tous autres causes ou catalyseurs de corrosion raisonnables.

L'entrée de gaz est située en bas au dos de la friteuse. Les codes exigent qu'un robinet d'arrêt de gaz soit installé dans la conduite de gaz en amont de la friteuse. L'installation de la friteuse et de la plomberie du gaz en toute sécurité conformément aux codes locaux et directives du fabricant, y compris un régulateur de pression approuvé est la responsabilité de l'utilisateur (utilisateur final) et non pas celle du fabricant ou distributeur de la friteuse.

La conduite d'alimentation en gaz doit être au minimum équivalente à une conduite en fer de 12,7 mm (1/2 po) pour les unités simples et 31,75 mm (1-1/4 po) pour les batteries. Si vous utilisez un tuyau flexible à débranchement rapide facultatif, il est recommandé d'utiliser une conduite d'alimentation en fer de 19 mm (3/4 po) pour les applications de friteuse unique.

Chaque friteuse est équipée d'un raccordement de 12,7 mm à 19 mm qui facilite le raccord de la conduite d'alimentation en gaz correct à l'aide d'une canalisation approuvée et peut-être d'un tuyau à débranchement rapide approuvé avec son raccord de câble de retenue requis pour la tenir en place, exigé par le code si la friteuse est sur roulettes (une configuration d'appareil mobile).

Assurez-vous que les conduites sont propres et exemptes d'obstructions, saleté et pâte à joint pour canalisation. Une configuration de batterie peut nécessiter un ou deux raccords de dimension appropriée pour permettre aux exigences en gaz d'alimenter correctement chaque appareil de cuisson au gaz dans cet alignement de batterie.



Avant d'allumer, vérifiez tous les joints de la conduite d'alimentation en gaz à la recherche de fuites.

Utilisez une solution d'eau et savon. N'utilisez pas de flamme nue.

Une fois que vous avez inspecté la tuyauterie à la recherche de fuites, purgez complètement les conduites d'alimentation en gaz pour supprimer tout air emprisonné dans la conduite avant d'amener la friteuse en ligne et en service.

PRESSION DU GAZ (TOUS LES MODÈLES) : Gaz naturel, gaz de ville ou PL {Propane liquide}

La pression du gaz doit être réglée à une C.E. (Colonne d'eau) de 10,16 cm (0,8 kPa) pour le gaz naturel et une C.E. de 25,4 cm (2,75 kPa) pour le LP gaz. Si la pression d'entrée dépasse 3,45 kPa (1/2 PSI), il faut installer un régulateur de pression supplémentaire.

(Il incombe au propriétaire de respecter cette exigence). La plaque signalétique indique quelle forme d'alimentation en combustible gazeux doit être raccordée à cette friteuse, PL ou gaz naturel.

Toute la tuyauterie de gaz doit être installée par un plombier licencié et approuvée par un inspecteur de code du bâtiment et de protection contre les incendies local autorisé.

TESTER LES RACCORDS DES CANALISATIONS D'ALIMENTATION EN GAZ

- Lorsque les pressions de test dépassent 3,45 kPa (1/2 PSI), la friteuse et son robinet d'arrêt individuel doivent être déconnectés du système de canalisation d'alimentation en gaz.
- Lorsque les pressions de test mesurent 3,45 kPa (1/2 PSI) ou moins, la friteuse doit être isolée du système de canalisation d'alimentation en gaz par un robinet d'arrêt individuel.

Si une fuite quelconque a besoin d'être réparée, assurez-vous qu'il ne reste pas de gaz dans la conduite et prenez les mesures correctives nécessaires pour vous conformer en toute sécurité et de manière appropriée aux codes et ordonnances en vigueur.

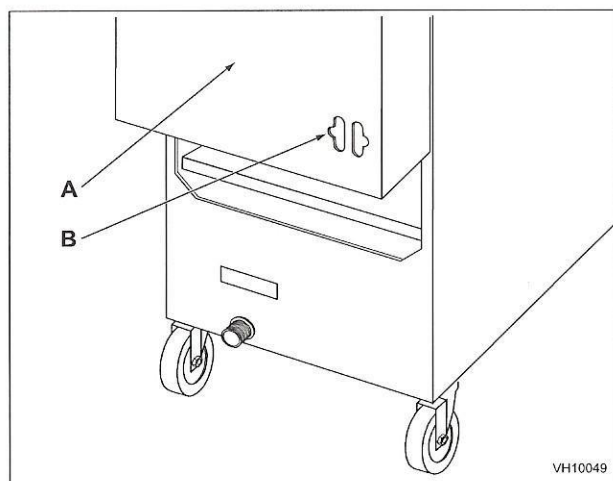
INSTALLATION D'UNE FRITEUSE MOBILE

NOTICE Des roulettes approuvées, un tuyau d'alimentation à débranchement rapide et un dispositif de retenue sécuritaire ne sont pas/peuvent ne pas être fournis avec ces friteuses. Un ensemble de pieds de mise à niveau est normalement fourni pour permettre un raccordement fixe en toute sécurité à la connexion de canalisation de gaz appropriée.

Des instructions séparées pour l'installation des roulettes sont fournies avec chaque ensemble de roulettes acheté :

- L'installation doit être effectuée avec un raccord conforme à la norme actuelle *Standard for Connectors for Movable Gas Appliances (Connecteurs pour appareils au gaz mobiles)*, ANSI Z-21.69 ou *Connectors for Moveable Gas Appliances (Connecteurs pour appareils au gaz mobiles)*, CAN/CGA-6.16 et un dispositif à débranchement rapide conforme à la norme *Standard for Quick-Disconnect Devices for Use with Gas Fuel (Dispositifs à débranchement rapide pour une utilisation avec les combustibles gazeux)*, ANSI Z-21.41 ou *Quick-Disconnect Devices for Use with Gas Fuel (Dispositifs à débranchement rapide pour une utilisation avec les combustibles gazeux)*, CANI- 6.9.
- Lorsque vous installez un dispositif à débranchement rapide, vous devez également installer un moyen de limiter le mouvement de la friteuse. Ce dispositif de retenue empêche la conduite de gaz ou tuyau à débranchement rapide de subir une tension. Le dispositif de retenue doit être attaché au système de montage/à la découpe sur le panneau arrière de la friteuse. {Voir l'illustration pour l'emplacement}
- Le fabricant/distributeur offre une trousse d'installation approuvée et éprouvée pour les appareils au gaz mobiles, consistant en des roulettes à la résistance et aux dimensions appropriées (2 avec des freins), un tuyau à débranchement rapide approuvé et un câble de retenue homologué. Utiliser cette trousse préserve la garantie d'usine de l'équipement – d'autres configurations peuvent entraîner l'annulation de la garantie

NOTICE S'il s'avère nécessaire de déconnecter le dispositif de retenue pour l'entretien ou le nettoyage de l'appareil, reconnectez-le une fois que la friteuse est replacée dans sa position originale.



A Arrière de la friteuse

B Raccord de chaîne de soulagement de la tension

- La friteuse doit utiliser un câble de retenue et un tuyau flexible d'alimentation en gaz à débranchement rapide approuvés et conformes à tous les codes applicables.
- La configuration de la friteuse doit être dotée d'un moyen de retenue éprouvé pour empêcher de transmettre la tension au connecteur de retenue. [Voir l'illustration ci-dessus pour mieux comprendre cette exigence.]
- La friteuse doit être installée avec les roulettes fournies ou approuvées par son fabricant.
- Si jamais le câble de retenue doit être déconnecté, veuillez tout d'abord couper l'alimentation en gaz; reconnectez le câble de retenue avant de remettre l'appareil en marche normale.

METTRE LA FRITEUSE À NIVEAU

Vérifiez que la friteuse est de niveau en plaçant un « niveau » au-dessus de la friteuse une fois que tous les raccords de gaz ont été effectués. Assurez-vous que la friteuse est de niveau du devant à l'arrière et d'un côté à l'autre dans sa position d'installation finale.

Si vous utilisez des roulettes, verrouillez les roues une fois que l'appareil est de niveau et confirmez que la friteuse restera fondamentalement de niveau et stable lorsqu'elle est déplacée vers les divers emplacements prévus d'utilisation, de nettoyage, d'entretien et de réparation de l'appareil. (Faites attention si vous déplacez une cuve pleine puisque l'huile pourrait éclabousser)

UTILISATION



AVERTISSEMENT

L'huile et les pièces brûlantes peuvent causer des brûlures.

Faites preuve de prudence lorsque vous utilisez, nettoyez et entretenez la friteuse.



AVERTISSEMENT

Renverser un composé d'huile brûlante ou une solution de débouillissage peut causer des brûlures graves.

Ne déplacez pas la friteuse sans vider tous les composés et liquides de friture du réservoir.



AVERTISSEMENT

Remarque : L'huile brûlante peut éclabousser ou déborder en mousse de la friteuse si celle-ci est déplacée ou est même stationnaire, entraînant ainsi un risque de brûlure, dérapage et chute. Utilisez un équipement et des vêtements de protection appropriés (au moins des gants et écrans faciaux) lorsque vous entretenez, réparez, nettoyez, surveillez ou utilisez la friteuse au gaz.

ARRÊT EN CAS DE SURCHAUFFE

Si la graisse alimentaire devient trop chaude, un dispositif d'arrêt en cas de température élevée fermera le robinet à gaz et éteindra la veilleuse. Si la friteuse s'arrête en raison d'une surchauffe, NE tentez PAS de rallumer la veilleuse tant que la température de la graisse alimentaire n'est pas inférieure à 149 °C (300 °F).

En cas de surchauffe prolongée, veuillez communiquer avec le Service autorisé. Les coordonnées se trouvent sur la page de garde.

AVANT LA PREMIÈRE UTILISATION

Nettoyage : Les nouveaux appareils sont essuyés en usine, afin d'éliminer toutes traces visibles de saleté, huile, graisse, etc., résultant du processus de fabrication. Avant de préparer des aliments, éliminez complètement l'huile de protection de toutes les pièces en surface et l'intérieur du réservoir en lavant à l'eau chaude savonneuse pour retirer toute pellicule résiduelle et poussière ou débris. Il est suggéré de débouillir la friteuse avec un composé nettoyant, ce qui est fait en usine avant l'emballage et l'expédition par les canaux de distribution normaux.

NOTICE

N'utilisez pas de produits nettoyants au chlore ou sulfate/sulfure. Lavez tous les accessoires expédiés avec l'appareil.

Rincez la friteuse et ses accessoires avec soin et videz la friteuse. Essuyez complètement le réservoir pour le sécher avec un linge doux et propre.

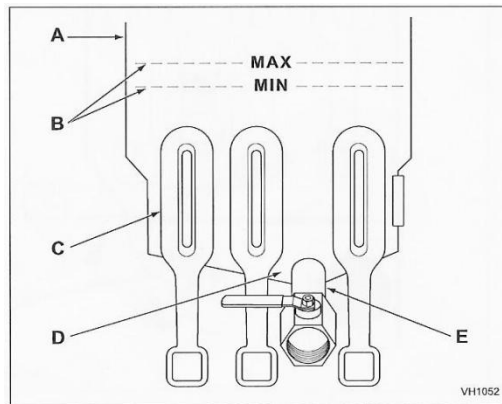
REEMPLISSAGE DU RÉSERVOIR AVEC UNE GRAISSE ALIMENTAIRE

La graisse alimentaire solide NE doit PAS être utilisée avec ces friteuses. Faire fondre la graisse alimentaire directement dans le réservoir de la friteuse peut endommager le réservoir et annuler votre garantie.

Si vous devez utiliser une graisse alimentaire solide (par ex. huile de palme ou de noix de coco), il faut la faire fondre complètement, ailleurs dans un autre appareil, puis la verser avec soin et en toute sécurité dans la cuve à friture jusqu'à ce que tous les brûleurs à tube soient complètement submergés dans l'huile de cuisson. Toute autre méthode ou procédé utilisé pour faire fondre annulera la garantie de la friteuse et peut endommager l'appareil ou nuire à l'huile.

Si la friteuse est vidée et non immédiatement remplie à nouveau d'huile, éteignez la veilleuse à gaz en fermant le robinet à gaz. Ne tentez pas d'allumer à nouveau le système avant que la cuve ne soit remplie d'huile.

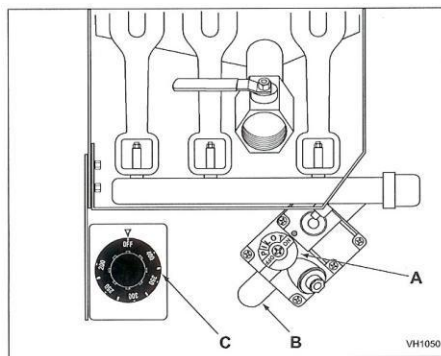
Ne tentez pas d'ajouter une graisse alimentaire liquide dans un réservoir à friture qui n'est pas complètement sec, puisque l'eau pourrait bouillir et faire des bulles au fur et à mesure que l'huile chauffe. L'huile brûlante peut éclabousser ou déborder de la cuve et causer un risque de brûlure, trébuchement ou chute pour l'utilisateur dans les alentours immédiatement adjacents à la friteuse.



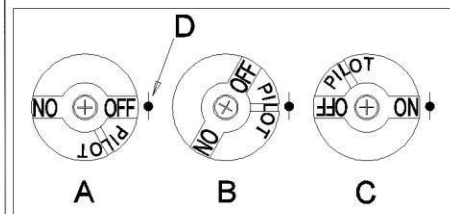
- A Réservoir de friteuse
- B Lignes de remplissage MIN et MAX
- C Caloducs
- D Zone froide
- E Tuyau de vidange

1. Fermez le robinet de vidange.
2. Remplissez le réservoir de la friteuse avec de la graisse alimentaire liquide.
3. Le niveau de la graisse alimentaire doit se trouver entre les lignes min. et max. du réservoir de la friteuse.
4. La graisse alimentaire se dilatera lorsqu'elle est chauffée. Ne remplissez pas le réservoir de la friteuse (cuve ou bac) au-delà de la ligne MAX. Ajoutez de la graisse alimentaire fraîche selon les besoins pour maintenir le niveau d'huile. NE remplissez PAS au-dessus de la ligne de remplissage maximum estampée dans la cuve à friture. Si une portion quelconque d'un brûleur à tube est exposée à l'air, vous pouvez ajouter de la graisse alimentaire solide directement dans la friteuse, petit à petit pour éviter tout roussissement ou le raccourcissement de la durée de vie de l'huile.

ALLUMER LA VEILLEUSE



- A Bouton de soupape de gaz
- B Alimentation en gaz
- C Bouton de thermostat



- A Bouton de soupape de gaz, vue A
- B Bouton de soupape de gaz, vue B
- C Bouton de soupape de gaz, vue C
- D Point indicateur, toutes les vues

1. Ouvrez la porte.
2. Mettez le thermostat sur OFF (ARRÊT) (voir la figure, vue A). Le thermostat est situé derrière la porte.
3. Poussez le bouton de la soupape de contrôle du gaz et tournez-le à OFF (ARRÊT). Attendez 5 minutes pour aérer le gaz non brûlé.
4. Poussez et tournez le bouton de la soupape de contrôle du gaz à « L » de PILOT (VEILLEUSE) (voir la figure, vue B).
5. Tout en continuant à tenir le bouton enfoncé, allumez la veilleuse avec une flamme adéquate. Continuez d'appuyer sur le bouton jusqu'à ce que la veilleuse reste allumée une fois que le bouton est relâché. Si la veilleuse ne reste pas allumée, répétez les étapes 3 à 5.
6. Poussez et tournez le bouton de la soupape de contrôle du gaz à ON (MARCHE) (Voir la figure ci-dessous, vue C).
7. Si l'alimentation en gaz est interrompue, répétez les étapes 2 à 6.

ALLUMER LA FRITEUSE

1. Réglez le bouton de température sur la température désirée.
2. Une fois que la température réglée est atteinte, le thermostat éteint le débit de gaz aux brûleurs.
3. La veilleuse reste allumée. Les brûleurs passent de marche à arrêt pour maintenir la température de consigne.

ÉTEINDRE LA FRITEUSE

1. Tournez le thermostat sur OFF (ARRÊT).
2. Pour garder la veilleuse allumée, tournez le bouton de la soupape à gaz à « L » de Pilot (veilleuse). {seule la veilleuse reste allumée dans cette position}
3. Pour couper l'alimentation en gaz au système, y compris la veilleuse, tournez le bouton de la soupape à gaz en position OFF (ARRÊT).

ARRÊT PROLONGÉ

1. Tournez le bouton du thermostat en position OFF (ARRÊT).
2. Poussez le bouton de la veilleuse et tournez en position OFF (ARRÊT).
3. Videz complètement la friteuse. Reportez-vous à VIDANGE DE LA FRITEUSE.
4. Nettoyez la friteuse conformément à NETTOYAGE.
5. Fermez la soupape d'arrêt principale du gaz.

Il est suggéré de débouillir complètement la friteuse après tout arrêt prolongé avant de la remettre en ligne. REMARQUE : Si la veilleuse est éteinte, un capteur de sécurité des commandes (thermopile) coupe son alimentation en gaz.

INSTRUCTIONS DE FRITURE DE BASE

- Réglez la température souhaitée et laissez la graisse alimentaire chauffer à cette température.
- Faites frire les articles de tailles similaires pour assurer une cuisson uniforme.
- Égouttez ou essuyez les aliments crus ou mouillés pour diminuer les éclaboussures lorsque vous les abaissez dans l'huile brûlante.
- Ajoutez une graisse alimentaire fraîche selon les besoins pour maintenir le niveau de graisse alimentaire entre les lignes de remplissage (volume) minimum et maximum recommandé (estampées).

DIRECTIVES POUR LES PANIERS À FRITURE

- Ne remplissez pas trop les paniers. (voir le tableau ci-dessous pour les capacités de panier recommandées). Baissez chaque panier avec soin dans l'huile brûlante pour minimiser les remous et éclaboussures et satisfaire les demandes des clients.
- Lorsque vous faites frire des beignets, tournez le produit une seule fois pendant la friture.
- Lorsque vous préparez des frites ou oignons en lanières, secouez le panier plusieurs fois.
- Les aliments enrobés de pâte à frire doivent être laissés tomber avec précaution et un à la fois dans la graisse alimentaire ou le panier (si vous utilisez un panier, trempez d'abord le panier dans l'huile pour réduire l'accumulation de pâte à frire sur les surfaces du panier.)
- Une fois que la friture est terminée, retirez le panier ou produit. Suspendez le panier à l'arrière du dispositif de suspension du panier pour permettre à l'excès d'huile de retourner dans la cuve à friture (marmite/bac/réservoir).

CAPACITÉ DU PANIER À FRITURE

- Pour les modèles de friteuse avec un réservoir de 18,16 (40 lb) et 22,7 kg (50 lb) : Le poids maximum recommandé des frites congelées par panier est de 1,14 kg (2,5 lb). {NE placez **JAMAIS** plus de 1,36 kg de frites congelées dans un panier}.
- Pour les modèles de friteuses avec un réservoir de 31,78 kg (70 lb), il est recommandé de ne pas placer plus de 1,4 kg (3 lb) de charge congelée à frire par panier.

PROLONGER LA DURÉE DE VIE DE LA GRAISSE ALIMENTAIRE

La durée de vie de la graisse alimentaire peut être prolongée en respectant les consignes suivantes :

- Ne salez pas les aliments au-dessus de la friteuse
- Utilisez une graisse alimentaire de bonne qualité
- Filtrez la graisse alimentaire une fois par jour (au moins)
- Remplacez la graisse alimentaire si elle perd son goût
- Gardez l'équipement et ses alentours propres
- Réglez correctement le thermostat, baissez la température à 99 °C (210 °F) pendant les temps morts
- Retirez l'excès d'humidité et les particules des produits alimentaires avant de les faire frire.
- Maintenez le niveau d'huile correct en tout temps
- Gardez la cuve couverte pour minimiser l'oxydation pendant les temps morts et baissez le thermostat
- Veillez à ce que les miettes et particules d'aliments soient écumées et jetées au moins deux fois par jour (de préférence au moins une fois par heure et quand l'établissement entame un temps mort)
 - Chargez les paniers d'un produit exempt de cristaux de glace sèche (l'humidité fractionne l'huile)
 - Servez-vous d'une écumeoire pour retirer tout aliment frit flottant qui n'est pas dans un panier à friture

VIDANGE DU RÉSERVOIR

1. Tournez le thermostat en position OFF (ARRÊT).
2. En portant des vêtements de protection (au moins un écran facial et des gants), vissez la rallonge de tuyau de vidange en position de façon à ce que le réservoir puisse se vider dans un récipient secondaire de taille appropriée de manière sécuritaire
3. Pour garder la veilleuse allumée, tournez la soupape à gaz à PILOT (VEILLEUSE).
4. Guidez le bec de vidange dans le récipient dans lequel vous souhaitez vider la graisse alimentaire.
5. Ouvrez le robinet de vidange. L'huile se videra dans le récipient. Une fois que le récipient est plein ou que le réservoir de la friteuse est vide, fermez le robinet de vidange. Répétez cette étape jusqu'à ce que la cuve soit vide.
6. Si vous le souhaitez, réalisez le nettoyage hebdomadaire en suivant les instructions figurant sous NETTOYAGE.
7. Une fois que le réservoir est complètement vide, ajoutez une nouvelle huile et réglez le thermostat à la température souhaitée.

Remarque : Nous recommandons d'effectuer un débouillissage de la friteuse avec un composé nettoyant au moins une fois par mois.

Ne laissez pas la friteuse sans surveillance pendant un débouillissage car la solution de débouillissage pourrait former une écume et déborder de la cuve. Si c'est le cas, éteignez le thermostat et fermez la soupape à gaz. Ouvrez à nouveau la soupape à gaz et rallumez la friteuse, puis continuez le débouillissage une fois que l'écume a disparu.

FILTRAGE QUOTIDIEN



AVERTISSEMENT L'huile et les pièces brûlantes peuvent causer des brûlures.

Faites preuve de prudence lorsque vous utilisez, nettoyez, entretenez et réparez la friteuse.

- Filtrez la graisse alimentaire au moins une fois par jour. Reportez-vous aux instructions fournies avec votre équipement de filtrage.
- Une friteuse froide ne se videra pas correctement. Filtrez toujours la graisse alimentaire à une température variant entre 121 °C et 163 °C. La graisse alimentaire dans la zone froide restera dure si la chaleur n'est en marche que pendant quelques minutes. Si nécessaire, utilisez la tige de nettoyage pour remuer la graisse alimentaire dure avec soin vers un espace situé au-dessus de la zone froide où elle peut fondre. Servez-vous de la brosse pour réservoir pour nettoyer les débris sur les côtés et les tubes. Appliquer soigneusement une huile brûlante filtrée avec la brosse peut aider à mieux nettoyer les parois latérales de la cuve. Servez-vous du ramasse-miettes pour aider à nettoyer la zone froide.
- Cette friteuse est conçue pour un filtrage efficace de la graisse alimentaire si un filtre en cône en papier, un filet de filtration à maillage en plastique avec poignée ou un système de filtre puissant portatif est utilisé comme méthode de filtrage de l'huile.

NETTOYAGE

AVERTISSEMENT L'huile et les pièces brûlantes peuvent causer des brûlures.

Faites preuve de prudence lorsque vous utilisez, nettoyez, entretenez et réparez la friteuse.

NOTICE N'utilisez pas de produits nettoyants au chlore ou sulfate/sulfure.

CALENDRIER D'ENTRETIEN ET D'ASSAINISSEMENT DE LA FRITEUSE À GAZ

Tâches quotidiennes : Nettoyez votre friteuse régulièrement avec la brosse de réservoir ainsi qu'un linge doux et polissez avec un linge doux et sec. Si vous omettez de nettoyer régulièrement, la graisse peut brûler, résultant en décolorations. Les empreintes digitales peuvent s'avérer être un problème sur les surfaces extrêmement polies d'acier inoxydable. Elles peuvent être réduites en appliquant un produit nettoyant qui laisse une pellicule mince huileuse ou cireuse.

- Nettoyez toutes les surfaces extérieures de votre friteuse au moins une fois par jour.
 - Utilisez un linge humide avec de l'eau chaude et un savon ou détergent doux.
 - Éliminez la décoloration en lavant avec n'importe quel détergent ou du savon et de l'eau. Utilisez un tampon à récurer non métallique à savonnage automatique pour une saleté particulièrement coriace et des surfaces décolorées.
 - Frottez toujours en suivant le grain de l'acier inoxydable ou autre fini métallique.
 - N'utilisez pas de tampon à récurer métallique ou de nettoyants abrasifs.
1. Videz le réservoir dans un récipient de stockage approuvé pour l'huile brûlante pendant que vous filtrez l'huile à une température d'environ 135 °C (275 °F)
 2. Nettoyez les miettes de la zone froide et du mur
 3. Servez-vous d'une brosse et d'un linge propre pour nettoyer entre les brûleurs à tube et retirez tous les débris des parois du réservoir
 4. Remplissez à nouveau soigneusement le réservoir à friture avec de l'huile après l'avoir testé à l'aide d'un tube ou bande de couleur – utilisez de l'huile fraîche lorsque le test indique qu'il est temps de jeter l'ancienne huile – autrement, la même huile remplit à nouveau la cuve à friture.
 5. Nettoyez et assainissez les surfaces entourant la friteuse
 6. Lavez le dispositif de suspension du panier (s'il est amovible) ou essuyez les tiges du dispositif de suspension du panier avec un linge s'il est fixé
 7. Nettoyez les paniers à friture et la grille de support de friteuse qui repose sur le brûleur à tube – en retirant toutes les miettes et particules d'aliments
 8. Programmez sur un tableau que ces procédures sont à accomplir correctement chaque soir et demandez au superviseur de quart ou directeur général d'en évaluer la réalisation
 9. Gardez l'extérieur de la friteuse propre et sans accumulation de graisse pour empêcher la formation de taches tenaces. Si vous négligez de nettoyer régulièrement, la graisse peut devenir polymérisée et brûler, résultant en décolorations.
 10. Rincez complètement, puis polissez avec un linge doux et sec. Il faut que le réservoir propre soit complètement sec – une fois qu'il est nettoyé et sec, remplissez à nouveau le réservoir avec de l'huile ou essuyez-le avec de l'huile pour réduire le risque d'oxydation (rouille) même si la cuve est en acier inoxydable

Tâches hebdomadaires :

1. Nettoyez derrière la friteuse
2. Nettoyez sous la friteuse
3. Nettoyez les côtés de la friteuse
4. Confirmez que la commande de température de la cuve à friture est exacte et n'a pas besoin d'étalonnage – si ce n'est pas le cas, planifiez la visite d'un technicien de service ou associé AQ pour cette activité

Tâches mensuelles :

1. Effectuez un débouillissage du réservoir à friture
2. Testez le temps de préchauffage de la friteuse {doit s'effectuer dans les 2 minutes suivant le temps de préchauffage initial (l'huile passe de 27 à 135 °C [80 à 275 °F])}
3. Vérifiez que la flamme du brûleur apparaît, ainsi que son étalonnage

Tâches semestrielles :

1. Confirmez que la limite supérieure assure la sécurité et que les protections thermopiles de la veilleuse fonctionnent correctement
2. Nettoyez les orifices des brûleurs et remettez au point
3. Effectuez un test de brûleur [confirmez que la consommation de gaz se situe à 2 % près de la valeur originale au moment de la mise en service]
4. Inspectez les chicanes des brûleurs pour vérifier leur état général et épaisseur – remplacez-les si elles ont usées, minces ou déformées
5. Faites inspecter l'appareil par un technicien de service formé en usine pour vérifier son état général
6. Inspectez les vêtements de protection et autres accessoires, y compris les paniers à friture pour vérifier leur état général
 - Si vous trouvez des problèmes d'usure excessive ou de performance, remplacez cet élément
 - Validez l'étalonnage du thermomètre utilisé pour étalonner le thermostat
 - Utilisez une tige de nettoyage pour nettoyer le drain {effectuez un test du temps de vidange (doit se situer à 10 secondes près de la valeur au moment de la mise en service)}
7. Enregistrez les résultats du test d'évaluation mesurée à titre de référence ultérieure et pour vérifier les déviations au cours du temps
8. Confirmez le temps de friture, la température d'huile de friture une fois que la fournée est terminée et retirée de l'huile et le temps de récupération pour retourner à 176,6 °C – il devrait être le même ou à 10 secondes près pour chaque test

PROCÉDURE DE DÉBOUILLISSAGE

Hebdomadaire ou selon les besoins (un débouillissage au moins mensuel est fortement recommandé) :

1. Videz le réservoir selon les instructions figurant sous VIDANGE DU RÉSERVOIR.
2. Une fois que la graisse alimentaire est vidée, purgez les restes et sédiments avec une petite quantité de graisse alimentaire chaude, en vous servant d'une brosse pour réservoir. Laissez le réservoir se vider complètement.
3. Fermez le robinet de vidange et remplissez le réservoir d'eau. Utilisez un nettoyant/dégraissant peu moussieux pour nettoyer le réservoir à friture. Suivez les instructions figurant sur le côté de l'emballage. **N'utilisez pas de produits nettoyants au chlore ou sulfate/sulfure. Une poudre commerciale de débouillissage pour friteuse est recommandée.**
4. Ajoutez une solution de débouillissage commerciale. [La hauteur de la solution se situe entre les niveaux du réservoir estampés MIN et MAX].
5. Réglez le thermostat à la température recommandée pour la solution utilisée. Ne dépassez pas 98,8 °C. Laissez la solution mijoter pendant environ 15 à 20 minutes.
6. Videz la solution de nettoyage du réservoir.
7. Fermez le robinet de vidange et remplissez à nouveau le réservoir d'eau. Ajoutez 1 tasse (1/4 L) de vinaigre ou solution à faible teneur en acide citrique pour neutraliser l'alcalin laissé par le nettoyant. Le niveau de la solution doit se trouver entre les niveaux MIN et MAX du réservoir de la friteuse.
8. Laissez mijoter la solution, éteignez le thermostat. Laissez reposer pendant quelques minutes.
9. Videz le réservoir conformément aux instructions figurant sous VIDANGE DU RÉSERVOIR. Rincez complètement à l'eau claire et brûlante. Toutes traces du nettoyant doivent disparaître. Séchez complètement le réservoir.
10. Fermez le robinet de vidange et ajoutez de la graisse alimentaire. Suivez la procédure de REMPLISSAGE DU RÉSERVOIR AVEC UNE GRAISSE ALIMENTAIRE décrite dans ce guide. La friteuse est désormais prête à être utilisée.

Bien que la cuve ait besoin d'être sèche avant d'être à nouveau remplie d'huile – ne la mettez pas en marche pour la sécher.

Ceci pourrait endommager (déformer) la cuve et annuler la garantie de l'équipement.

INSPECTION ET ENTRETIEN DE L'ÉVENT DU CONDUIT DE FUMÉE



AVERTISSEMENT

L'huile et les pièces brûlantes peuvent causer des brûlures.

Faites preuve de prudence lorsque vous utilisez, nettoyez, entretenez et réparez la friteuse.

Renverser de l'huile brûlante ou une solution de débouillissage de la friteuse peut causer des brûlures graves.

NE déplacez PAS la friteuse sans vider tous les composés et liquides de friture du réservoir.

ATTENTION : Une cuve à friture sale ou un orifice de brûleur à tube bouché peut nuire à la qualité des aliments frits, au rendement et à la capacité de la friteuse. En plus du débouillissage au moins mensuel de la friteuse, nous recommandons que l'appareil fasse l'objet d'un entretien de mise au point préventif complet et nettoyage ou remplacement des composants (si besoin est) deux fois par an. Nos techniciens itinérants en entretien et réparation formés peuvent effectuer cette mise au point.

Une fois que la friteuse est froide, inspectez le conduit de fumée et ses connexions deux fois par an. Inspectez le conduit de fumée et éliminez toute obstruction. Si un élément est desserré ou usé, serrez la connexion et remplacez les pièces selon les besoins.

SERVICE AUX É.-U. / CANADA :

Communiquez avec le Service autorisé. Les renseignements se trouvent sur la page de garde.

TABLEAU ET GUIDE DE DÉPANNAGE

PROBLÈME	CAUSE PROBABLE
AUCUNE CHALEUR :	Le cadran du thermostat n'est pas en marche La veilleuse n'est pas allumée L'alimentation en gaz n'est pas en marche Connexions électriques lâches (appeler le service d'entretien et réparation) Les connexions électriques ont besoin d'être nettoyées (appeler le service d'entretien et réparation) Défaillance de thermopile (appeler le service d'entretien et réparation) Le tuyau à débranchement rapide n'est pas raccordé
CHALEUR INSUFFISANTE OU EXCESSIVE :	Le cadran du thermostat n'est pas réglé à la température souhaitée Déclenchement du fait de limite supérieure atteinte (appeler le service d'entretien et réparation) Défaillance de la sonde de température (appeler le service d'entretien et réparation) La flamme du brûleur n'est pas mise au point ou les chicanes sont brûlées
LE RÉSERVOIR NE SE VIDE PAS :	Graisse alimentaire trop froide pour couler- réchauffez-la à plus de 135 °C (275 °F) Tuyau de vidange obstrué par des débris- Délogez avec la tige de nettoyage Poignée du robinet à tournant sphérique est coincée ou desserrée de sorte qu'elle ne peut s'ouvrir

GARANTIE LIMITÉE POUR LES FRITEUSES À GAZ

Pour les détails de garantie, veuillez consulter :

www.TheLegacyCompanies.com/techservice ou composer le 1 877 368-2797

Une carte de garantie est comprise dans l'emballage des pieds de montage (ou dans certains cas, des roulettes). Remplissez la carte de garantie, demandez au propriétaire/à l'utilisateur et l'installateur de la signer. Saisissez l'adresse de l'emplacement final, le numéro de téléphone, la personne-ressource, l'adresse courriel et la date de la mise en service de l'appareil pour activer cette garantie et permettre l'échange de communications régulières. **Si la carte de garantie n'est pas renvoyée**, le fabricant a l'option de NE PAS respecter les modalités de la garantie.

Si la carte de garantie est manquante avec votre produit, veuillez envoyer les renseignements suivants à :

Garantie et fiche technique de références : (créez une carte postale de taille standard à renvoyer)

**The Legacy Companies
GAS FRYERWARRANTYCARD
C/O Technical Services**

3355 Enterprise Avenue, Suite 160 Fort Lauderdale, FL 33331

Marque et numéro de modèle _____ Numéro de série _____

Type de gaz utilisé pour l'alimentation _____ Pression à la soupape de gaz _____

Date d'installation _____ Date d'inspection du bâtiment _____

Type de protection contre l'incendie - poudre fluide Type d'installation de la friteuse - fixe mobile

Temps de vidange _____

Durée de préchauffage (27 à 135 °C) [80 à 275 °F] _____

Si mobile :

Numéro de modèle des roues _____

Longueur du câble de retenue passif _____

Numéro de modèle du câble de retenue passif _____

Taille du tuyau flexible à branchement rapide _____ Longueur _____ Numéro de modèle _____

Numéro de modèle du robinet d'arrêt _____

{installé avant le point de connexion final de la friteuse à gaz pour se conformer aux réglementations nord-américaines}

Les dispositifs de sécurité de la veilleuse et de surcharge ont réussi les essais

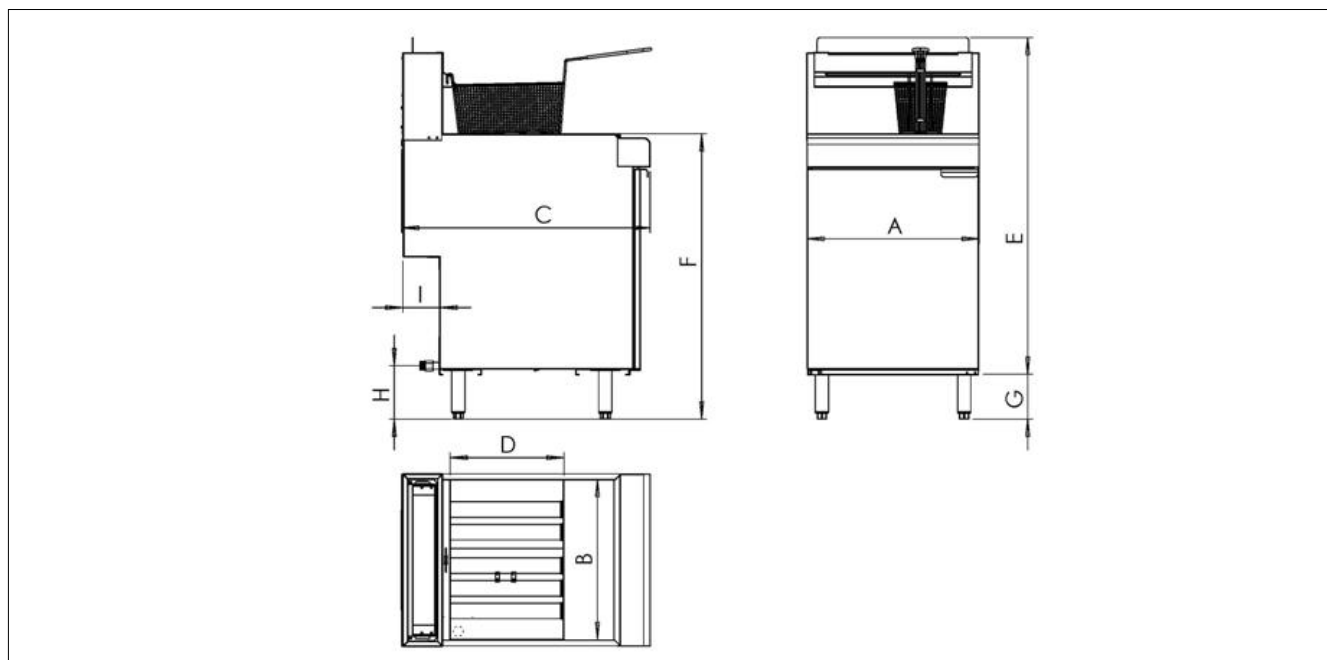
Oui

Date _____

_____ (VEUILLEZ AJOUTER VOS INITIALES) Le guide d'installation a été lu et compris.

SPÉCIFICATIONS ET APPROBATIONS DE SERVICE COMMERCIAL PAR DES TIERS

DIMENSION



Modèle	Largeur		Profondeur (po)		Hauteur (po)		Raccordement du gaz (po)			TOTAL DE BTU/hre
	A.	B	C	D	E	F	G	H	I	
BMF40-90NAT&LP	15,5	14,0	30,3	14,0	47,2	34,7	6,0	7,0	4,2	90 000
BMF50-120NAT&LP	15,5	14,0	30,3	14,0	47,2	34,7	6,0	7,0	4,2	120 000
BMF70-150NAT&LP	21,0	18,0	30,3	14,0	47,2	34,7	6,0	7,0	4,2	150 000

RENSEIGNEMENTS SUR L'ALIMENTATION EN GAZ ET LES BRÛLEURS À GAZ

La pression d'alimentation doit se trouver à un minimum de 10,16 cm C.E. pour le gaz naturel ou 25,4 cm C.E. pour le propane. La friteuse est accompagnée d'un raccord mâle NPT de 1,9 cm sur une conduite de 1,27 cm pour vous permettre de le raccorder sur un raccord femelle NPT de 1,27 cm ou 1,9 cm.

Modèle	Brûleurs	Type de gaz	Pression d'admission	Nbre de brûleur à tube	Taux respectif BTU par heure	Taux total BTU par heure	Taille de l'orifice
BMF40-90	Principal	Naturel	10,16 cm C.E.	3	30 000	90 000	n° 40
		Propane	10,16 cm C.E.	3	30 000	90 000	n° 52
BMF50-120	Principal	Naturel	10,16 cm C.E.	4	30 000	120 000	n° 40
		Propane	10,16 cm C.E.	4	30 000	120 000	n° 52
BMF70-150	Principal	Naturel	10,16 cm C.E.	5	30 000	150 000	n° 40
		Propane	10,16 cm C.E.	5	30 000	150 000	n° 52

* La pression d'alimentation minimum est de 10,16 cm C.E. pour le gaz naturel et 25,4 cm C.E. pour le propane.

** Les tailles d'orifices sont pour les appareils installés à des altitudes comprises entre 0 et 610 mètres au-dessus du niveau de la mer.

Approbations de service commercial par des tiers :

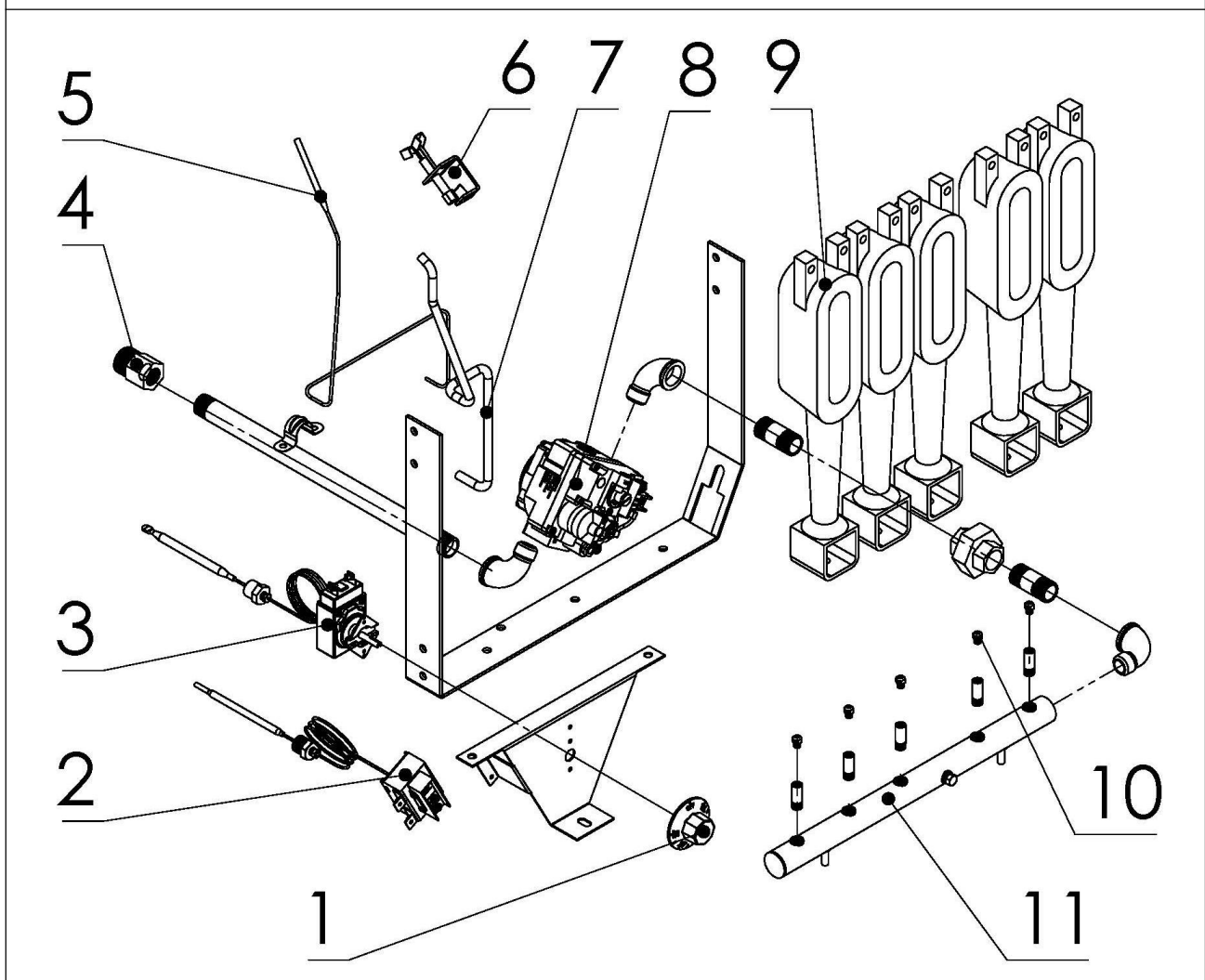


Conforme à la norme ANSI Z83. 11-2016,
Homologué selon la NORME CSA 1.8-2016
Conforme à la norme NSF/ANSI 4

SCHÉMAS, VUES ÉCLATÉES

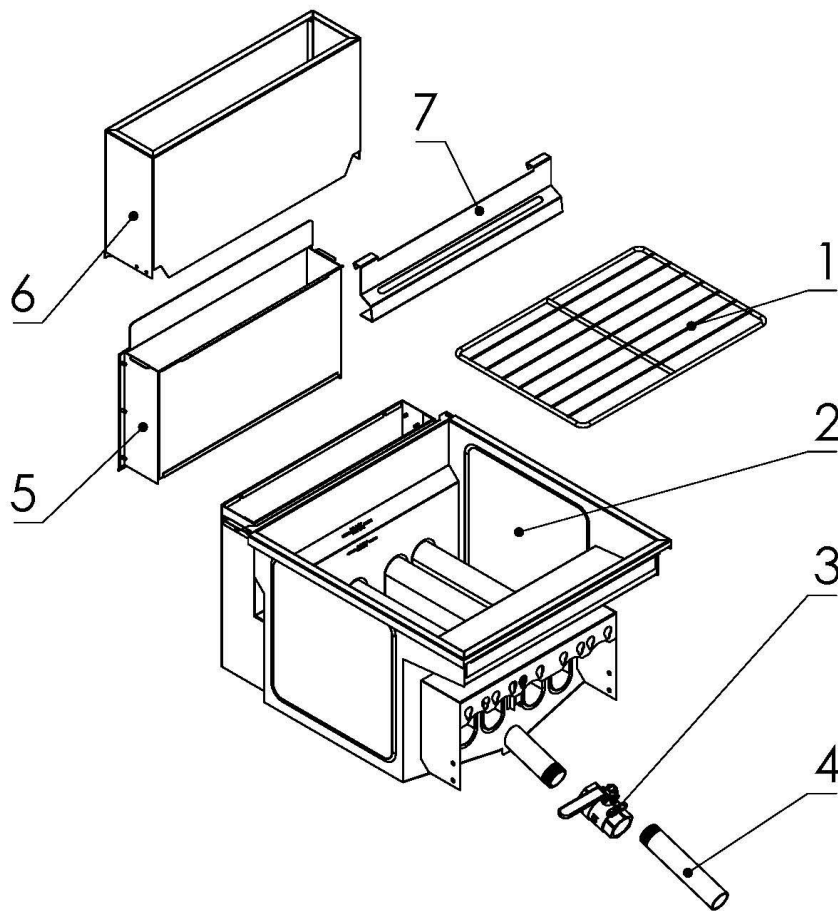
Vue éclatée avec numéros des pièces de rechange/accessoires

1. Pièces à gaz pour friteuse (5 tubes illustrés)



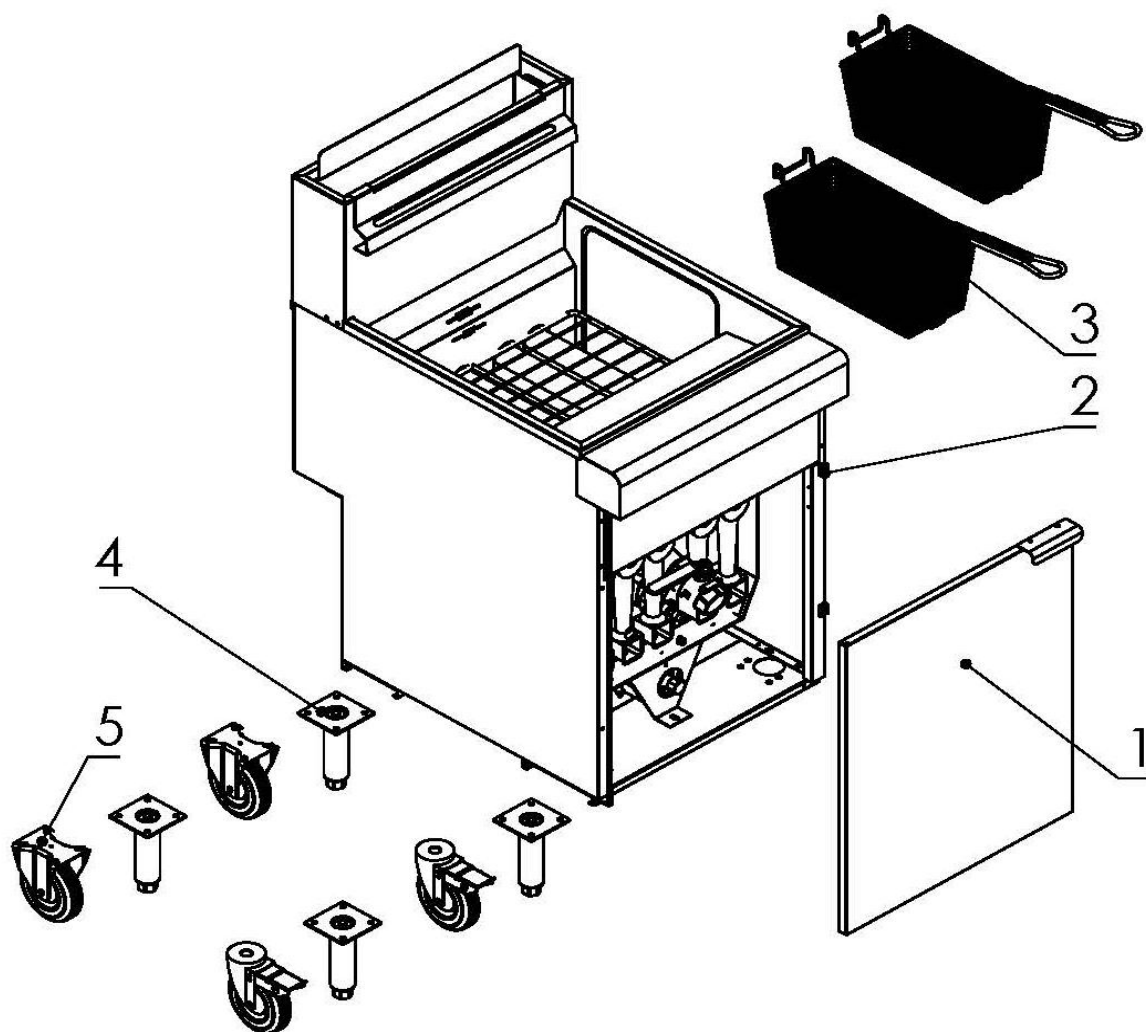
Clé	Número de pièce	Qté	Description
1	Pièce de 14031A	1	Bouton, pour thermostat
2	16031A	1	Thermostat, Limite supérieure de sécurité de 232 °C,
3	14031A	1	Thermostat en millivolts pour friteuse, règle la température entre 93 °C et 204 °C
4		1	Adaptateur, 1,27 cm à 1,9 cm
5	13031A	1	Thermopile de sécurité de 45,72 cm pour veilleuse
6	12011A	1	Veilleuse pour gaz naturel
	12021A	1	Veilleuse pour propane liquide
7	12041A	1	Tubes à soufflets, 6,35 mm pour thermopile
8	11011A	1	Soupape combinée à millivolts pour le gaz naturel
	11021A	1	Soupape combinée à millivolts pour le gaz propane liquide
9	20031A	chaque	Brûleur, friteuse
10	21011A	chaque	Orifice n° 39, pour le gaz naturel
	21021A	chaque	Orifice n° 52, pour le gaz propane liquide
11	10061A	1	Canalisation d'alimentation en gaz - rampe à 3 brûleurs
	10062A	1	Canalisation d'alimentation en gaz - rampe à 4 brûleurs
	10063A	1	Canalisation d'alimentation en gaz - rampe à 5 brûleurs

2. VUE ÉCLATÉE DU RÉSERVOIR DE LA FRITEUSE



Clé	Numéro de pièce	Qté	Description
1	36031A	1	Écran, miette, friteuse à 3 et 4 tubes
	36033A	1	Écran, miette, friteuse à 5 tubes
2	30031A	1	Réservoir, friteuse à 3 tubes (à l'exception du conduit de fumée)
	30032A	1	Réservoir, friteuse à 4 tubes (à l'exception du conduit de fumée)
	30033A	1	Réservoir, friteuse à 5 tubes (à l'exception du conduit de fumée)
3	35031A	1	Robinet, à tournant sphérique
4	35032A	1	Tuyau de vidange, rallonge
5	31031A	1	Conduit de fumée, dessus, amovible, friteuse à 3 tubes
	31032A	1	Conduit de fumée, dessus, amovible, friteuse à 4 tubes
	31033A	1	Conduit de fumée, dessus, amovible, friteuse à 5 tubes
6	32031A	1	Conduit de fumée, enveloppe, dessus, amovible, friteuse à 3 et 4 tubes
	32033A	1	Conduit de fumée, enveloppe, dessus, amovible, friteuse à 5 tubes
7	33031A	1	Dispositif de suspension du panier, friteuse à 3 et 4 tubes
	33033A	1	Dispositif de suspension du panier, friteuse à 5 tubes

3. Autres pièces (y compris les pièces d'installation des roulettes en option)



Clé	Numéro de pièce	QTÉ	Description
1	40031A	1	Assemblage de la porte, complète, à 3 et 4 tubes
	40033A	1	Assemblage de la porte, complète, à 5 tubes
2	41031A	1	Aimant pour porte
3	51031A	2	Double panier, friteuse à 3 et 4 tubes
	51033A	2	Double panier, friteuse à 5 tubes
4	52031A	4	Pied, 15 cm, réglable,
		1 ensemble	Ensemble de pieds, 15 cm, réglable, ensemble de 4 avec quincaillerie de montage
5	53031A	2	Roulette facultative, 10,16 cm, avec frein
	53031B	2	Roulette facultative, 10,16 cm, sans frein
	53051A	1 ensemble	Ensemble de roulettes facultatif, 10,16 cm, ensemble de 4 (deux avec frein et deux sans frein) avec quincaillerie de montage
6	10031A	1	Tuyau à raccordement rapide de 1,22 m de long (en option, sur demande du client)
7	10041A	1	Câble de retenue de 91,5 cm
8	10051A	1 ensemble	Système de raccordement de gaz pour friteuses mobiles (y compris 10031A et 10041A)
9		1	Tige de nettoyage de 63,5 cm pour drain de friteuse en option



Les dépôts de carbone des brûleurs résultent d'un orifice d'alimentation de la mauvaise taille, d'une configuration de pression incorrecte ou d'un conduit de fumée bloqué. **Les vibrations ou chocs tels que claquer la porte d'accès ou secouer/cogner le panier à friture sur la surface du dessus de la friteuse, peuvent forcer l'ouverture de l'interrupteur de limite supérieure de sécurité– il se peut qu'un rembourrage supplémentaire aide à absorber ces vibrations et chocs**

Les friteuses à gaz à graisse alimentaire liquide autonomes sont dotées de pieds de mise à niveau de 15 cm avec deux paniers à friture. Le brûleur à tube doit être submergé dans l'huile de friture avant que la soupape de gaz, la veilleuse et les brûleurs à tube ne soient mis en marche. Accessoires recommandés (non compris).



Casters



Skimmer



Crumb Scoop



Long Stem
Thermometer



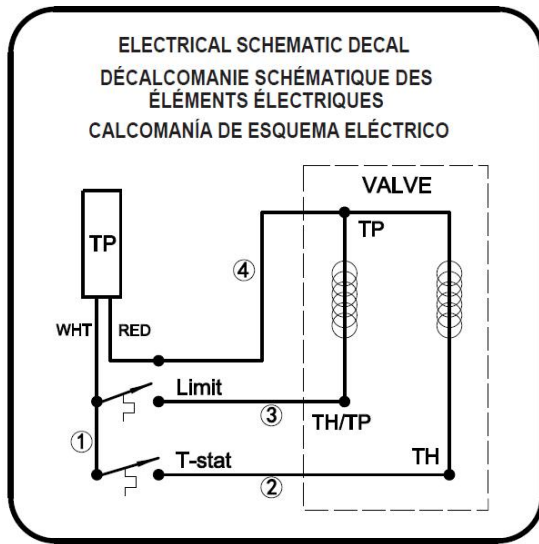
Drain Pipe
Extension



Le filtrage de l'huile et le nettoyage du réservoir quotidiens ainsi que l'écumage de l'huile pour retirer les miettes et particules d'aliments avant qu'elles ne deviennent carbonisées tout au long de la journée dans l'huile réglée à la bonne température étalonnée (176,6 °C pour la plupart des produits) prolongeront la durée de vie de l'huile.

La friteuse est accompagnée de certains accessoires, et d'autres ont besoin d'être achetés – nous recommandons les articles approuvés par le fabricant.

DIAGRAMME SCHÉMATIQUE DES COMMANDES ÉLECTRIQUES (décrit un système en millivolts)



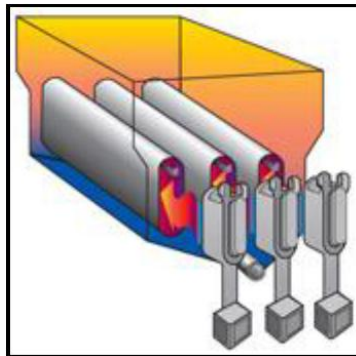
REMARQUE : La position du cadran du thermostat peut être différente selon le modèle
Cet appareil alimenté au gaz n'a pas besoin d'une connexion à prise murale (service électrique)

SCHÉMA DESCRIPTIF DU RÉSERVOIR À FRITURE

Vue en plan d'un réservoir de friture illustrant des brûleurs à tube typiques de 30 000 BTU par heure, le thermostat et un détecteur de limite supérieure



Vue en coupe d'un réservoir de friteuse illustrant la zone à friture à l'huile brûlante, la zone du milieu des brûleurs à tube avec thermostat et limite supérieure de sécurité et drain inférieur et espace d'accumulation de miettes ou chapelure brûlée – également appelé la Zone froide :



*** Réservoir avec trois brûleurs à tube illustré ici : Il est recommandé de vider l'huile chaque soir, de retirer toutes les miettes de la zone froide et de nettoyer les côtés du réservoir et entre les brûleurs à tube à l'aide d'une brosse à soies dures. Ne remplissez à nouveau l'appareil d'huile que si la cuve est sèche.

VÊTEMENTS DE PROTECTION

Paniers à friture et dispositifs de suspension des paniers typiques

Vêtements de protection nécessaire pour la friture – Gants et écrans faciaux

Portez et utilisez toujours un équipement de protection et des outils sécuritaires lorsque vous entretenez/réparez la friteuse, l'huile brûlante peut causer des brûlures graves



Les accessoires recommandés ou approuvés par l'usine peuvent être commandés en composant le 1 877 600-8401.

Notre ligne d'accessoires comprend les vêtements de protection (gants, écran facial et tablier), un thermomètre numérique à long manche pour l'étalonnage et la vérification du thermostat, des brosses de nettoyage à haute température, un sac de filtre, des roulettes, un récipient auxiliaire pour le contenu du réservoir lors du nettoyage ou filtrage de l'huile brûlante, un tuyau d'alimentation en gaz à raccordement rapide et un câble de retenue.

AVANTAGES, CARACTÉRISTIQUES ET OPTIONS CONCERNANT CETTE FRITEUSE

- a. Une équipe formée de spécialistes du service technique pour résoudre tous les problèmes de garantie ou performance avec votre friteuse, offre une assistance 24h sur 24 et l'envoi de techniciens de service locaux si une réparation est nécessaire
 1. Des pièces de rechange stockées dans divers entrepôts des É.-U. pour optimiser les délais de réponse de service et minimiser les temps d'arrêt
 2. Un réseau d'agents de service formés effectue les EP ou services nécessaires pour permettre à la friteuse de fonctionner au mieux de sa forme
 3. La certification par un tiers indépendant de l'adaptation à un service commercial utile en fonction des caractéristiques suivantes
 - a) Des composants et commandes de gaz fiables et sécuritaires [conformes aux exigences en matière de raccordement de gaz et ventilation d'évacuation]
 - b) L'assainissement et la nettoyabilité – conformes aux critères de conception aseptique les plus récents
 - c) La sécurité des utilisateurs, y compris la stabilité des appareils si les roulettes sont installées au lieu des pieds de mise à niveau
 - d) Performance de l'appareil, des brûleurs à tube, du thermostat, de la soupape de gaz et la veilleuse fixe en matière de transfert thermique
- b. Toutes les cuves à friture sont soudées à l'arc électrique sous protection de gaz inerte de façon continue et testées à une pression hydrostatique pour assurer des années de fonctionnement fiable et sans fuite. Nos cuves à friture inspectées et testées à 100 % sont accompagnées d'une garantie prolongée de 2 ans
- c. Nos fritures sont testées à 100 % pour une performance adéquate des brûleurs, une vidange totale de la cuve, l'étalonnage de température, le débit de gaz et l'orifice corrects (gaz naturel ou PL), puis subissent un débouillissage pour assurer une cuve à friture sans débris et graux. Une fois le débouillissage terminé, la cuve à friture est pulvérisée/revêtue d'une fine couche d'huile végétale pour empêcher la corrosion durant le transport.
- d. Chaque friteuse est inspectée pour vérifier le volume approprié de graisse alimentaire dans la cuve et un simple raccordement de conduite de gaz de 1,27 cm ou 1,9 cm de diamètre
- e. Chaque brûleur à tube atmosphérique a une chicane interne pour améliorer le rendement thermodynamique de l'appareil. Ils sont fabriqués et testés conformément aux mêmes spécifications rigoureuses, quel que soit le modèle de la friteuse ou la taille de la cuve, pour permettre aux pièces de rechange et service d'être envoyés dans les 24 heures suivant une demande, résultant en un temps d'arrêt réduit et des années d'utilisation fiable et économique. Chaque brûleur à tube atmosphérique fournit 30 000 BTU par heure s'il est correctement mis au point et réglé.

- f. Les trousse d'accessoires en option sont proposées pour faciliter les conditions suivantes : {doivent satisfaire aux besoins opérationnels}
1. Des vêtements de protection sécuritaires pour friteuse, y compris des gants, un écran facial et un tablier
 2. Les éléments contribuant à la qualité de la graisse alimentaire et une durée de vie prolongée de l'huile, y compris un filet filtrant, un récipient secondaire d'huile correspondant au volume de la cuve, une brosse pour cuve à friture à soies dures, une tige de nettoyage du tuyau de vidange, une écumoire maillée pour débris et un composé de débouillissage pour bac de friture
 3. Un thermomètre numérique de température d'huile à long manche (60,96 cm) pour les inspections de qualité, l'entretien et les réparations et la confirmation de l'étalonnage
 4. Les roulettes avec tuyau à gaz à débranchement rapide et le câble de retenue permettent de déplacer facilement l'appareil pour le nettoyer
 5. Un couvercle de cuve pour permettre de minimiser la consommation de gaz tout en gardant la friteuse prête à l'utilisation
 6. Une bande de raccord pour verrouiller deux friteuses adjacentes et empêcher que l'huile dégouline ou suinte sur leurs parois latérales
 7. Le grillage anti-éclaboussures empêche l'huile d'être projetée hors de l'espace immédiat de la friteuse (potentiellement sur une flamme nue, brûleur de cuisinière ou élément chauffant pouvant augmenter le risque d'incendie)
 8. Diverses tailles de paniers à friture spéciaux (chaque appareil est accompagné de paniers pour frites de demi-taille)
 9. Une trousse de conversion du gaz pour le gaz naturel et propane liquide, ainsi qu'un orifice remplaçable pour diverses altitudes de sites
 10. Une trousse d'échantillonnage de la durée de vie de l'huile de friture, y compris un compte-gouttes oculaire et des flacons de couleur de référence de l'huile
 11. Un support de cône pour filtre à friture
 12. Des filtres en cône papier à insérer et une poudre nettoyante à terre de diatomées
- g. Un thermostat en millivolts qui règle la température de la graisse alimentaire liquide entre 93 et 204 °C (200 et 400 °F)
- h. Une soupape de gaz et veilleuse fixe intégrales coupent le débit de gaz si la flamme de la veilleuse s'éteint
- i. Limite supérieure de température de l'huile qui coupe complètement le débit de gaz à la friteuse en cas de défaillance du thermostat principal
- j. Un excellent délai de récupération de la température de l'huile qui assure une capacité d'aliments fris extraordinaire pour la taille de friteuse choisie
- k. Une grande zone froide minimise les débris et particules d'aliments carbonisés pour préserver le goût des aliments fris et prolonger la durée de vie de l'huile
- l. Le positionnement du détecteur de thermostat et l'acheminement des fils minimisent le risque qu'il soit accroché lors du déplacement du panier
- m. Le maillage des paniers de friture en nickel plaqué à usage intensif assure la longévité et produit des aliments frits finis de qualité supérieure
- n. Le guide d'installation fourni avec un guide de dépannage assure que les aliments frits servis sont de la meilleure qualité et que le temps d'arrêt de production résultant d'une défaillance de la friteuse sera réduit ou entièrement éliminé
- o. Garantie d'un an pour les pièces et la main d'œuvre pour l'appareil tout entier s'il est installé et entretenu correctement
- p. 3 tailles de friteuses pour répondre à vos exigences de production opérationnelle et besoins de menus flexibles (cuves de 18,16 kg, 22,7 kg et 31,78 kg)

MISE AU POINT DES COMPOSANTS DU SYSTÈME DE COMMANDE DU GAZ

• CHECKING AND ADJUSTING MAIN BURNERS:

The main burners should burn with a steady blue flame, and the inner cone of the flame from each port should be about 3/4" long. The flame from each main burner should enter each heat tube without touching the front of the fry pot or the sides, top, or bottom of each tube.

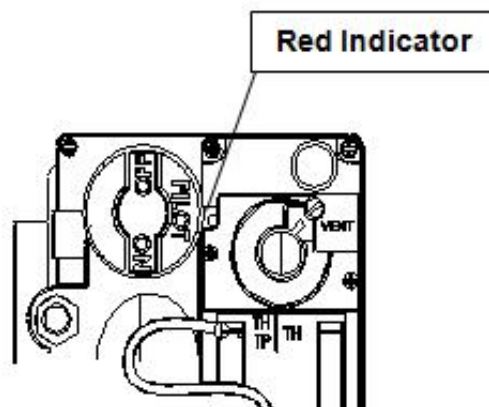
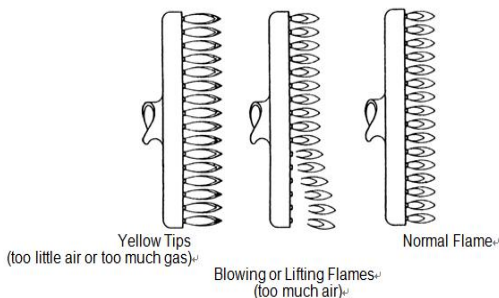


Schéma de la soupape de gaz

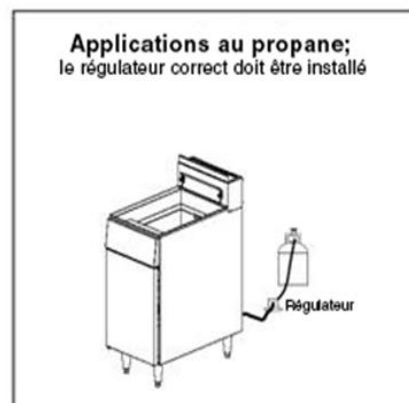


Les flammes du brûleur à tube doivent être correctement mises au point

VÉRIFICATION ET RÉGLAGE DU RÉGULATEUR DE PRESSION

La soupape à gaz mixte (comprend le régulateur de pression) est réglée en usine à 10,16 cm C.E. pour le gaz naturel et 25,4 cm C.E. pour le gaz propane. Pour vérifier la pression d'admission, faites ce qui suit :

1. Tournez le thermostat en position « OFF (ARRÊT) » et le bouton de la soupape à gaz mixte sur le réglage « PILOT (VEILLEUSE) ».
2. Retirez le bouchon de la prise de pression de la rampe de brûleurs située directement sous les brûleurs dans l'armoire.
3. Installez un raccordement approprié au branchement d'un manomètre.
4. Tournez la soupape à gaz mixte en position « ON (MARCHE) » et le thermostat en position « OFF (ARRÊT) »; les brûleurs s'allumeront alors. Assurez-vous qu'une quantité suffisante d'huile couvre les tubes.
5. Avec les brûleurs en marche, lisez le manomètre
6. Si la lecture du manomètre n'indique pas 10,16 cm C.E pour le gaz naturel ou 25,4 cm C.E pour le propane, réglez le régulateur.
7. Retirez le cache de la vis de réglage du régulateur (voir le schéma à la page 15)
8. Tournez la vis de réglage « DANS LE SENS DES AIGUILLES D'UNE MONTRE » avec un petit tournevis pour augmenter ou « dans le sens inverse des aiguilles d'une montre » pour diminuer la pression. Veillez à effectuer le réglage avec les brûleurs sur « ON (MARCHE) »
9. Tournez le thermostat en position « OFF (ARRÊT) » et réglez le bouton de la soupape à gaz mixte sur « Pilot (Veilleuse) ».
10. Retirez le manomètre et remettez en place le bouchon de la prise de pression.
11. Remettez le cache de la vis de réglage en place

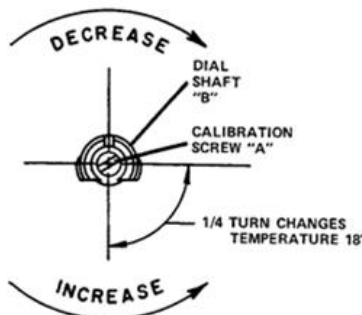


Le propane requiert un régulateur externe.

CHECKING AND ADJUSTING CALIBRATION OF THERMOSTAT

All thermostat controls are carefully calibrated at the factory (i.e., the dial is properly set to control appliance temperatures accurately). Only a qualified appliance service technician should perform this adjustment.

1. To check appliance temperatures, use a thermocouple-type temperature test instrument or reliable thermometer. Place the thermocouple of test instrument or thermometer in the center of the frypot.
2. Turn the control dial to the temperature setting requiring the greatest accuracy. Allow enough time for temperature to stabilize, or until several temperature readings are identical.
3. Recalibrate if setting and actual temperature differ by more than 10°F.
4. Remove dial from dial shaft "B." Be careful that dial shaft does not rotate in either direction (which would change the dial setting).
5. Hold dial shaft "B" steady and with a screwdriver turn calibration screw "A" clockwise to decrease the temperature, or counterclockwise to increase the temperature.
6. Replace dial. Let the appliance operate until the temperature has stabilized before a final check is made to determine whether or not the calibration has been corrected.
7. Once correct, seal the calibration screw with glyptol.

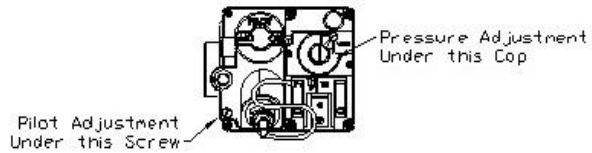


Nous suggérons l'utilisation d'un thermomètre numérique précis à long manche pour étalonner le thermostat.

CHECKING AND ADJUSTING AUTO SAFETY PILOT

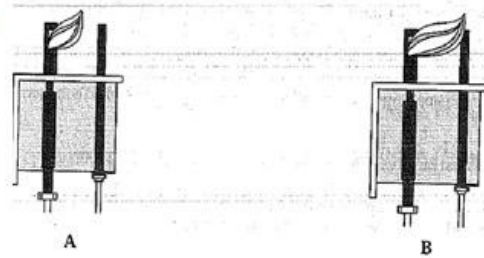
The pilot flame should surround the thermopile for 1/2". It must be large and sharp enough to cause the thermopile to glow a dull red, or sufficient to hold the safety valve open.

1. Remove pilot adjustment cap



2. Adjust pilot key to provide properly sized flame shown in diagram B.

Diagram A shows an improperly adjusted pilot



3. Replace pilot adjustment cap.

Si la flamme de veilleuse est éteinte, la thermopile le détectera et coupera le gaz à la soupape de gaz automatique.

La limite supérieure de sécurité est réglée en usine à 232 °C (450 °F). Si la température de l'huile atteint cette valeur, le détecteur coupe l'alimentation en gaz à la soupape de gaz automatique – ne tentez pas de rallumer/redémarrer le système avant que la température ne tombe en-dessous de 177 °C (350 °F) et de faire peut-être inspecter le thermostat pour assurer son rendement adéquat.

Remarque : en raison du site et des variations de quincaillerie, il se peut que la température de l'huile atteigne 246 °C (475 °F) avant que l'alimentation en essence à la soupape de gaz ne soit coupée.

Si cette friteuse est entretenue et utilisée correctement, y compris le nettoyage quotidien, elle vous offrira des années d'un rendement fiable pour fournir des produits de qualité supérieure comme elle est conçue et fabriquée conformément aux normes de l'industrie les plus rigoureuses. Lisez le guide et consultez-le selon les besoins, particulièrement en cas de nouvel utilisateur ou technicien.



FREIDORES DE GAS PARA GRASA LIQUIDA

Modelo:

BMF40-90 - 3 quemadores de tubo, tina de 40 lb (90,000 btu/hr)

BMF50-120 - 4 quemadores de tubo, tina de 50 lb (120,000 btu/hr)

BMF70-150 - 5 quemadores de tubo, tina de 70 lb (150,000 btu/hr)

INSTALACIÓN, MANTENIMIENTO Y MANUAL DE OPERACIÓN

(Cubre aplicaciones tanto fijas como móviles)

**** Los freidores pueden funcionar con Gas Natural (NG) o Propano Líquido (LP) ****

Recuerda que el agua y el aceite no se mezclan. No intentes apagar con agua un incendio en aceite.

¡En caso de que se detecte algún olor a gas, cierra la válvula principal de corte y comunícate con la compañía de gas local y tu proveedor/suministrador para que hagan mantenimiento!

Gracias por elegir nuestros freidores para tus requisitos operativos. **Lee cuidadosamente estas instrucciones.**

Si se usa y mantiene adecuadamente, puedes disfrutar de años de uso confiable, eficiente y de calidad.

Nota: La línea de productos está sujeta a mejoras y actualizaciones constantes y continuas.

Las especificaciones que definen cada modelo están sujetas a cambio sin previo aviso.

Mantén este manual para adiestramiento y como guía de referencia cuando haga falta servicio o mantenimiento.

Mantén una copia de tu recibo de compra e informe final de edificación para la instalación del freidor, ya que ambos ayudarán a establecer el periodo de garantía de tu aparato y la fecha en la que inició la cobertura.

PIEZAS:Para piezas autorizadas, por favor comunícate con: 1-877-368-2797

SERVICIO:Para servicio técnico, por favor comunícate con: 1-877-368-2797

TABLA DE CONTENIDO

ADVERTENCIA: SI SE DETECTA OLOR A GAS – (Acciones de precaución a tomar)	PORTADA
IMPORTANTE PARA TU SEGURIDAD	2
INTRODUCCIÓN	3
General	
Cómo ordenar piezas	
Capacidad del freidor	
Desempacar	
INSTALACIÓN	4
Espacios de separación	
Ubicación	
Instalación de la chimenea	
CÓDIGOS Y ESTÁNDARES	6
ENSAMBLAJE	6
Escape de chimenea conexión de gas	
Presión de gas	
Cómo probar la conexión de tubería de suministro de gas	
Instalaciones de freidores móviles	
Nivelar el freidor	
OPERACIÓN	10
Apagado por exceso de temperatura	
Antes de usar por primera vez / Limpieza	
Llenar el tanque con grasa	
Encender el piloto	
Encender y apagar el freidor	
Apagado extendido	
INSTRUCCIONES BÁSICAS PARA FREÍR	12
Pautas para la cesta de freír	
Vida útil prolongada de la grasa	
Drenar el tanque	
Filtrado diario	
LIMPIEZA	14
Calendario de Mantenimiento y desinfección < Diario, Mensual, Semestral >	
PROCEDIMIENTO DE LIMPIEZA POR EBULLICIÓN	15
INSPECCIÓN Y MANTENIMIENTO DE VENTILACIÓN DE CHIMENEA	16
Servicio en EE. UU. y Canadá	
TABLA- GUÍA DE SOLUCIÓN DE PROBLEMAS	16
GARANTÍA	17
ESPECIFICACIÓN y APROBACIONES A TERCEROS CON CALIDAD COMERCIAL	18
DIAGRAMAS, VISTAS AMPLIADAS	19
Vista ampliada con los números de accesorio o pieza de repuesto	
Diagrama esquemático del control eléctrico (Describe el sistema Milivolt)	
Boceto descriptivo del tanque de fritura	
INDUMENTARIA DE SEGURIDAD (RECOMENDADA)	24
BENEFICIOS, CARACTERÍSTICAS Y OPCIONES REFERENTES A ESTE FREIDOR	24
AJUSTE DE LOS COMPONENTES DEL SISTEMA DE CONTROL DE GAS	26

IMPORTANTE PARA TU SEGURIDAD

Operación/desempeño adecuados de tu freidor de grasa líquida de gas.

LEE DETENIDAMENTE LAS INSTRUCCIONES DE INSTALACIÓN, OPERACIÓN Y MANTENIMIENTO ANTES DE INSTALAR, MANTENER, READAPTAR, REVISAR, OPERAR O DAR SERVICIO A ESTE EQUIPO. ESTE MANUAL HA SIDO PREPARADO POR PERSONAL CALIFICADO PARA LA INSTALACIÓN DE EQUIPOS DE GAS. TRAS REVISAR CUIDADOSAMENTE LAS INSTRUCCIONES/DIRECTIVAS DE ESTE MANUAL, Y SEGUIRLAS, SOLO PERSONAL CALIFICADO QUE HAYA LEÍDO ESTE MANUAL DEBE REALIZAR EL ARRANQUE INICIAL EN EL CAMPO Y LOS AJUSTES DEL EQUIPO.

Este freidor se diseñó y está aprobado únicamente para uso comercial. No fue construido para aplicaciones residenciales.

UNA INSTALACIÓN, SERVICIO, AJUSTE, ALTERACIÓN O MANTENIMIENTO INADECUADOS PUEDEN OCASIONAR DAÑOS A LA PROPIEDAD, FALLAS DE DESEMPEÑO, LESIONES O, POSIBLEMENTE, LA MUERTE.

 **ADVERTENCIA:** EL INCUMPLIMIENTO (AÚN PARCIAL) DE LAS NORMAS DE ESTE MANUAL INVALIDARÁ LA GARANTÍA DEL PRODUCTO Y LIBERA AL FABRICANTE DE CUALQUIER RESPONSABILIDAD.

Este folleto de instrucciones debe mantenerse cerca del freidor para consultar en el futuro. Si el freidor es transferido a otro usuario, asegúrate de que el manual siempre vaya con el aparato para que el dueño nuevo pueda tener la información necesaria sobre la operación y las instrucciones relacionadas.

EN UNA UBICACIÓN PROMINENTE, PUBLICA LAS INSTRUCCIONES QUE DEBEN SEGUIRSE EN EL CASO DE QUE SE DETECTE OLOR A GAS. ESTA INFORMACIÓN PUEDE SER OBTENIDA A TRAVÉS DEL PROVEEDOR LOCAL DE GAS. De detectarse olor a gas, CIERRA INMEDIATAMENTE LA VÁLVULA PRINCIPAL DE CORTE DE GAS QUE DETIENE TODO EL FLUJO DE GAS HACIA EL APARATO.


Para mantener la garantía del equipo, el trabajo de instalación y mantenimiento debe ser realizado por técnicos calificados y deben usarse piezas de repuesto o accesorios de montaje en el equipo suministrado por la fábrica. Usa únicamente rueditas o patas niveladoras autorizadas y aprobadas por el distribuidor para soportar este freidor. Debe pararse derecho y nivelado en su ubicación deseada antes de encenderse con una conexión de la línea de suministro de gas a la válvula de gas que alimenta al piloto y los quemadores.


PARA TU SEGURIDAD

NO ALMACENES NI USES GASOLINA NI OTROS LÍQUIDOS O VAPORES INFLAMABLES EN LUGAR CERCANO A ESTE O CUALQUIER OTRO APARATO DE COCINA A GAS.

Mantén el área circundante a todos los aparatos de cocina a gas libres de cualquier material combustible

CUIDADO: El aceite caliente puede salpicar o derramarse en cualquier momento, causando riesgos potenciales de resbalones, caídas o quemadas. ¡Al trabajar en, vigilar u operar la unidad, usa la indumentaria adecuada de seguridad!

 **PRECAUCIÓN:** Este freidor fue fabricado sólo para usar grasa líquida (no sólida), agregar directamente al freidor grasa sólida, como aceite de palma o coco, o sebo, cuando los tubos no están completamente sumergidos, pueden dañar el electrodoméstico y anular su garantía del fabricante. Si deseas usar grasa sólida, derrítela previamente y después vierte el aceite líquido con cuidado y de manera segura dentro de la tina de fritura. Una vez que los tubos quemadores se hayan cubierto completamente con grasa, puede agregarse grasa sólida directamente para subir el nivel hasta el máximo de llenado de la tina de fritura.

 **NO INTENTES ENCENDER EL PILOTO O DEJARLO ENCENDIDO CUANDO LA TINA DE FRITURA ESTÉ VACÍA O SI EL NIVEL DEL ACEITE NO CUBRE COMPLETAMENTE LOS TUBOS QUEMADORES. IGNORAR ESTA PRECAUCIÓN ANULA LA GARANTÍA DEL FREIDOR.** Si se apagan el piloto y los quemadores principales, la unidad debe apagarse por 5 minutos o más antes de volver a encender el freidor para reiniciar su operación.

INTRODUCCIÓN

GENERAL

Nuestros freidores de gas comerciales son producidos con materiales y mano de obra de calidad. Una instalación, uso y mantenimiento adecuados resultarán en años de desempeño satisfactorio y económico, produciendo alimentos fritos sabrosos y de gran calidad para tu operación.

Este manual se aplica a los modelos indicados en la portada. Los procedimientos de este manual se aplican a todos los modelos a menos que se especifique. Las imágenes e ilustraciones pueden ser de cualquier modelo, a menos que la imagen o ilustración necesariamente deba representar un modelo específico y se identifique como tal.

ORDEN DE PIEZAS

Para acelerar tu orden, proporciona el número de modelo, el número de serie, el tipo de gas, el número de artículo de pieza (de conocerlo) y la cantidad necesaria.

CAPACIDAD DEL FREIDOR

MODELO	Cantidad de tubos	BTU / horas	Ancho en pulgadas (cm)	Grasa en lb (kg)
BMF40-90NAT&LP	3	90,000	15.5 (39)	35-40 (16-18)
BMF50-120NAT&LP	4	120,000	15.5 (39)	45-50 (21-23)
BMF70-150NAT&LP	5	150,000	21.0 (53)	65-73 (29-33)

DESEMPAQUETAR

Este freidor fue inspeccionado cuidadosamente antes de salir de la fábrica. Al aceptar este envío, la compañía de transporte asume responsabilidad total por su entrega segura. Inmediatamente después de desempacar el freidor, revisa que no haya daños ocurridos en el envío ni ocultos. Si está dañado, guarda el material de empaque y comunícate con la empresa de transporte antes de pasar 2 días de la entrega.

Revisa que se haya incluido lo siguiente:

- ◆ Estante de soporte para las cestas de alambre (en posición, este estante descansa sobre los tubos quemadores)
- ◆ Colgador de cesta
- ◆ Patas ajustables (4) {en algunos casos pueden ser 4 rueditas, 2 de las cuales tienen frenos}
- ◆ Extensión de tubería de drenaje
- ◆ Cestas dobles para freír (2)
- ◆ Chimenea con escape de gas extendido y placa desviadora
- ◆ Manual y tarjeta de garantía – Guarda el manual para referencia en el futuro, envía la tarjeta llena.

No uses la puerta ni su asa para intentar levantar el freidor.

NOTA: Algunas piezas o componentes clave pueden ser enviados en cajas separadas, dentro de la tina de fritura, o en el contenedor principal del freidor o sus materiales de empaque. Asegúrate de no descartar, perder o desechar estos artículos que son necesarios para operar exitosa, eficiente y seguramente este aparato.

Usa únicamente patas de nivelación o rueditas aprobadas y autorizadas por la fábrica o el distribuidor para que este aparato funcione de manera segura y su garantía se mantenga en vigor.

INSTALACIÓN

Antes de instalar el freidor, verifica el tipo de gas (natural o propano líquido [LP]) coincide con las especificaciones de la placa de datos del freidor. La placa de datos del freidor se encuentra dentro del panel de la puerta. Asegúrate de que el freidor esté configurado para la elevación adecuada (altura sobre el nivel del mar) de las instalaciones.

Registra en el espacio proporcionado abajo el modelo y el número de serie del freidor de gas para referencia en el futuro.

Esta información se encuentra en la placa de datos del freidor. Registra también la fecha de instalación.

Núm. de modelo del freidor: _____ Fecha de instalación: _____ Núm. de serie: _____

ESPACIOS DE SEPARACIÓN

- Deja suficiente espacio y accesibilidad para el mantenimiento y la operación del aparato.
- Espacio mínimo de separación de construcciones combustibles:
 - 6" (15 cm) a los LADOS del freidor
 - 6" (15 cm) DETRÁS del freidor

El freidor puede instalarse sobre pisos combustibles (si se usan las patas niveladoras o ruedas aprobadas por la fábrica – la garantía se anula si se usa cualquier otro método)

- Espacio mínimo de separación de construcciones no combustibles:
 - 0" a los LADOS del freidor
 - 0" DETRÁS del freidor
- Entre el freidor y cualquier unidad flameante de parte superior abierta o calentadores y quemadores sin protección:
 - 16" (41 cm) Puede usarse un protector contra llamas si es permitido por los códigos y funcionarios locales

UBICACIÓN

- La instalación debe cumplir con los códigos locales de construcción y debe estar aprobada por los inspectores de construcción y bomberos antes de que el freidor inicie su funcionamiento.
- Instala el freidor en un área con suficiente suministro de aire para permitir la combustión total del tubo quemador.
- No obstruyas el flujo de aire de combustión y ventilación del aparato.
- Deja un espacio de separación adecuado para las aberturas de aire hacia la cámara de combustión.
- No permitas que los ventiladores soplen directamente sobre el freidor, ya que pueden tener un impacto negativo sobre el desempeño del quemador o de la válvula del piloto, e incluso, posiblemente apagar la llama del piloto.
- Evita ventiladores de pared, los cuales crean corrientes cruzadas dentro de las habitaciones. Evita las ventanas abiertas junto a los lados o la parte trasera del freidor. Prueba los ductos de ventilación de aire de la habitación para garantizar que no soplen directamente sobre este aparato, ya que puede crear problemas de funcionamiento
- Asegúrate de que el piso permita que el freidor descansa nivelado y seguro cuando está en posición para la operación, el mantenimiento y la limpieza adecuados
- No se requieren conexiones eléctricas para este aparato, ya que el diseño estándar de control usa componentes de milivoltios [y, posiblemente, una ignición piezoeléctrica] que no usa ni necesita un circuito de 115/220V
- Si es móvil, es necesaria una manguera de suministro de gas de conexión rápida aprobada con cable de sujeción.
- **El enganche determina cuánta sujeción evitará que el freidor se vuelque y evitará el riesgo de que aceite caliente salpique, se derrame o se filtre fuera de la unidad**

- Instala el freidor bajo una campana extractora aprobada, funcional y de tamaño adecuado con el saliente mínimo de 6 pulgadas alrededor del freidor {se sugiere un estilo con compensación de aire} que venga con un sistema de protección contra incendios integrado y comprobado (como Ansul™).
- El diagrama eléctrico de este aparato se encuentra en el lado interno de la puerta.
- No conectes directamente la chimenea o el escape del freidor a la campana de ventilación.
- Los filtros de grasa de la campana deben estar a un mínimo de 18" sobre la chimenea de escape del freidor.

INSTALACIÓN DE LA CHIMENEA:

⚠ WARNING ANTES DE USAR EL FREIDOR, ENSAMBLA E INSTALA LA CHIMENEA DE 10-5/8" Y LA PLACA DESVIADORA AL FREIDOR

1. Desempaca la caja de la chimenea y el envoltorio de la chimenea



2. Desliza la caja de la chimenea sobre la chimenea y asegúrala con los dos tornillos autorroscantes usando un dado de 5/16"



3. Desliza el envoltorio de la chimenea sobre la chimenea [asegúrate de que el freidor esté ubicado adecuadamente bajo la campana con el saliente adecuado en todos los lados del aparato – el código exige una distancia de saliente mayor a 6" en la campana]



4. Asegúrala con cuatro tornillos autorroscantes, dos en la parte trasera y uno de cada lado, usando un dado de 5/16"



CÓDIGOS Y ESTÁNDARES

El freidor debe instalarse de acuerdo con todos los códigos, regulaciones y ordenanzas nacionales y locales. Debe realizarse una inspección final de construcción y bomberos, y la instalación debe ser aprobada antes de poner a funcionar el freidor nuevo.

En los Estados Unidos:

Códigos estatales y locales, o en la ausencia de éstos, cumplir con:

- Código nacional sobre gas combustible, ANSI-Z223.1/NFPA #54 (última edición). Pueden obtenerse copias en The American Gas Association Accredited Standards Committee Z223, @ 400 N. Capital St. NW, Washington, DC 20001; el Secretary Standards Council, NFPA, 1 Batterymarch Park Quincy, MA 02169-7471; o por Internet.
- Norma núm. 96 de NFPA sobre la eliminación de vapores de equipos de cocina para, última edición, la cual puede solicitarse a National Fire Protection Association, Battery march Park, Quincy, MA.
- Las normas ANSI Z 21.69 y Z 21.41, si se monta en rueditas para hacerlo móvil para limpiar y dar mantenimiento (garantiza que el freidor esté estable y nivelado en todas las ubicaciones en la que vaya a ser operado o en las que se vaya a trabajar con él) Si la unidad debe desconectarse de su cable de sujeción por cualquier motivo, asegúrate de reconectarlo antes de volver a hacer funcionar el aparato.
- En el *commonwealth* de Massachusetts, todos los aparatos de gas que se ventilan a través de un sistema de campana o escape con un amortiguador o medios eléctricos de escape, deben cumplir con la norma de regulación del *commonwealth* o el numeral 248 de CMR.

En Canadá:

Cumple con los códigos locales prevalecientes

- Instalación de acuerdo al código de gas natural y propano, CAN/CSA-B149.1 (edición más reciente), disponible en Canadian Gas Association 350 Sparks Street, Ottawa, Ontario Canadá K1R 7S8.
- Código eléctrico de Canadá L4W 5N6; CSA C22.1.
- Normas 6.16 y 6.9 de CSA, si se monta sobre un juego de rueditas aprobado por el fabricante o por el distribuidor, volviéndolo móvil (consulta los comentarios siguientes sobre el uso de un cable de sujeción)

ENSAMBLAJE

El freidor debe sujetarse adecuadamente para evitar volcamientos o salpicaduras de líquido caliente. El método de sujeción puede ser la forma de instalación, como conexiones a una batería de electrodomésticos, instalar el freidor en un nicho, o por medios separados tales como amarres o cables de sujeción adecuados si tiene rueditas de manera que sea móvil y puede rodarse a diversas posiciones seguras.

Si la unidad debe desconectarse de su cable de sujeción por cualquier motivo, asegúrate de reconectarlo antes de volver a hacer funcionar el aparato.

ESCAPE DE LA CHIMENEA

- Cumplimiento con la norma 96 *Vapor Removal from Cooking Equipment* (eliminación de vapores de equipos de cocina) de ANSI-NFPA, la cual puede solicitarse a National Fire Protection Association, Batterymarch Park, Quincy, MA 02269.
- Coloca el freidor bajo una campana con conexiones adecuadas al ducto de escape. La campana debe extenderse 6" (15 cm) después del borde del freidor a ambos lados, así como al frente y detrás del freidor, si se montó contra una pared o en una configuración de isla de banco de cocina.

- El espacio sobre el freidor debe ser adecuado para eliminar de manera eficiente y segura todos los productos derivados de la combustión sin crear peligros potenciales de incendios.

⚠ No debe realizarse ninguna alteración, al material estructural en el freidor ni a la chimenea, de manera que pueda colocarse bajo una campana de escape con protección contra incendios

- Debe mantenerse una separación mínima de 18" (46 cm) entre la ventilación de la chimenea y los filtros de eliminación de grasa del sistema de ventilación por campana.
- Jamás hagas conexiones de chimenea directamente entre el freidor y la campana de escape.
- No obstruyas el flujo de los gases que salen del aparato. Debe mantenerse un equilibrio adecuado del aire en la habitación. El sistema de escape debe cumplir con todos los requisitos, regulaciones, ordenanzas y códigos de construcción locales sobre intercambio de aire.
- Asegúrate de que tu sistema de ventilación no cause una corriente descendente en la abertura de la chimenea del freidor. La corriente descendente no permitirá que el freidor exhale adecuadamente, lo que causará sobrecalentamiento que puede desembocar en daños permanentes. Los daños causados por las corrientes descendentes no están cubiertos por la garantía del equipo. Jamás permitas que nada obstruya la chimenea o la ventilación que sale de la chimenea del freidor.
- JAMÁS pongas nada sobre el área abierta de la chimenea, pues puede influir en el flujo de gases emitidos.

CONEXIÓN DE GAS

NOTICE Todas las conexiones de suministro de gas y cualquier compuesto de unión de tuberías deben ser resistentes a la acción de los gases de propano o cualquier otra causa o catalizador razonable de corrosión.

La entrada de gas se encuentra en la parte trasera inferior del freidor. Los códigos exigen que la válvula de corte de gas esté instalada en la línea de gas antes del freidor. Instalar el freidor y las tuberías de gas de manera segura, de acuerdo con los códigos locales y las directivas del fabricante, incluyendo un regulador de presión aprobado, es responsabilidad del comprador (usuario final) y no del fabricante o el distribuidor del freidor.

L línea de suministro de gas debe ser al menos equivalente a una tubería de hierro de ½" (12.7 mm) para unidades sencillas y 1-1/4" (31.75 mm) para baterías. Si se usa la manguera flexible opcional de desconexión rápida, es adecuada la alimentación por tubería de hierro de ¾" (19 mm) para aplicaciones de freidor sencillo.

Cada freidor viene equipado con un acople de ½" a ¾" que facilita la conexión adecuada al suministro de gas usando tuberías adecuadas y, posiblemente, un gancho para manguera aprobada de desconexión rápida con su cable de sujeción requerido y así mantenerlo en su posición, lo cual es exigido por el código si se encuentra sobre rueditas (configuración móvil del aparato).

Asegúrate de que las tuberías estén limpias y libres de obstrucciones, polvo o compuesto para tuberías. Una configuración de batería puede requerir una o dos conexiones de tamaño adecuado al requerimiento de gas para proveer adecuadamente a cada aparato de cocina con gas de la alineación de batería.

⚠ WARNING Antes de encender, revisa que no haya fugas en ninguna de las uniones de la línea de suministro de gas. Usa una solución de agua y jabón. No uses llamas abiertas.

Una vez que se haya revisado si las tuberías tienen fugas, vacía completamente las tuberías de gas para eliminar cualquier aire atrapado en la línea, antes de incorporar el freidor y hacerlo funcionar.

PRESIÓN DE GAS (TODOS LOS MODELOS): Gas natural, gas de alumbrado o LP {gas propano líquido}

La presión de gas debe configurarse a al menos 4" W.C. (columnas de agua) (0.8 kPa) para el gas natural y 10" W.C. (2.75 kPa) para el Propano líquido gas. Si la presión entrante excede ½ PSI (3.45 kPa), debe instalarse un regulador de presión adicional. {Cumplir este requisito es responsabilidad del propietario} La placa indica qué tipo de suministro de gas combustible debe conectarse a este freidor: Propano líquido o Gas natural

Todas las tuberías de gas deben ser colocadas por un plomero con licencia y aprobadas por un código local de construcción y un inspector de protección contra incendios.

CÓMO PROBAR LA CONEXIÓN DE TUBERÍA DE SUMINISTRO DE GAS

- Cuando las presiones de prueba exceden ½ PSI (3.45 kPa), el freidor y su válvula independiente de corte deben estar desconectados del sistema de tuberías de suministro.
- Cuando las presiones de prueba son de ½ PSI (3.45 kPa) o menos, el freidor debe aislarse del suministro de gas y su válvula independiente de corte deben estar desconectados del sistema de tuberías de suministro, cerrando su válvula de cierre individual.

Si se debe reparar cualquier fuga, asegúrate de que la línea esté libre de cualquier gas residual y luego ejecuta la acción de solución necesaria de manera segura y adecuada para cumplir con los códigos y ordenanzas prevalecientes.

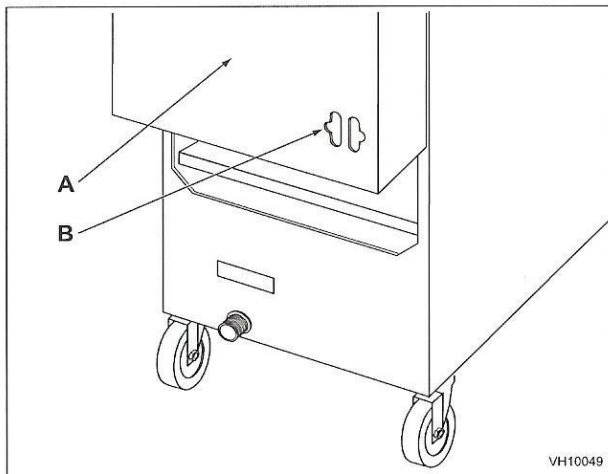
INSTALACIÓN DE FREIDORES MÓVILES

NOTICE Las rueditas aprobadas, la manguera de suministro de desconexión rápida y el dispositivo de sujeción segura no se suministran con estos freidores. Un juego provisto de patas niveladoras es típico, y permite la conexión estacionaria y segura con conexión a una tubería de gas adecuada.

Se incluyen instrucciones separadas sobre cómo instalar las rueditas con cada kit o set de rueditas adquirido:

- La instalación debe ser hecha con un conector que cumpla con la Norma actual para conectores para aparatos de gas móviles, ANSI Z-21.69 o Conectores para aparatos de gas móviles, CAN/CGA-6.16, y un dispositivo de desconexión rápida que cumpla con la norma para dispositivos de desconexión rápida para usar con gas combustible, ANSI Z-21.41 o dispositivos de desconexión rápida para usar con gas combustible, CANI- 6.9.
- Al instalar un dispositivo de desconexión rápida, también debes instalar los medios para limitar el movimiento del freidor. El dispositivo de sujeción evita que la línea de gas o la manguera de desconexión rápida se tensen. El dispositivo de sujeción debe anexarse al sistema de montaje/corte del panel trasero del freidor {consulta la ilustración para la ubicación}.
- El fabricante/distribuidor ofrece un kit de instalación de aparatos de gas móviles aprobado y comprobado que consiste en rueditas de resistencia y tamaño adecuados (2 con frenos), una manguera de desconexión rápida aprobado y cable de sujeción calificado. Su uso mantiene la garantía de fábrica del equipo – otras configuraciones pueden resultar en la anulación de dicha protección

NOTICE Si es necesario desconectar el dispositivo de sujeción para hacer mantenimiento o limpieza de la unidad, reconecta el dispositivo de sujeción una vez que el freidor se haya colocado nuevamente en su posición original.



A Parte posterior del freidor

B Conexión de alivio de tensión para la cadena
(cadena suministrada por terceros)

- El freidor debe usar un cable de sujeción aprobado y un conector de manguera flexible de suministro de gas que cumpla con todos los códigos aplicables.
- La configuración del freidor debe tener medios comprobados de sujeción para evitar transmitir tensión al conector de retención [Consulta la ilustración anterior para una mejor comprensión de este requisito].
- El freidor debe ser instalado con las rueditas provistas o aprobadas por el fabricante.
- Si en algún momento se piensa desconectar el cable de sujeción, primero cierra el suministro de gas, y vuelve a instalar el cable de sujeción antes de reiniciar las operaciones normales con el aparato.

NIVELAR EL FREIDOR

Revisa Si el freidor está nivelado colocando un "nivel" sobre él después de que todas las conexiones de gas hayan sido hechas. Asegúrate de que el freidor esté nivelado tanto del frente hacia atrás como de un lado al otro en su posición final de instalación.

De usar rueditas, bloquea las ruedas después de que la unidad esté nivelada y confirma que el freidor se mantendrá esencialmente nivelado y estable a medida que se mueva a los diferentes sitios previstos de operación, limpieza y mantenimiento de la unidad. (Ten cuidado al mover la tina llena, ya que el aceite puede salpicar hacia afuera)

OPERACIÓN

⚠ WARNING El aceite y las piezas calientes pueden causar quemaduras.
Ten cuidado al operar, limpiar o dar mantenimiento al freidor.

⚠ WARNING Derramar compuesto de fritura o solución de limpieza por ebullición caliente puede ser causa de quemaduras graves. No muevas el freidor sin drenar antes todo el compuesto de fritura y el líquido del tanque.

⚠ WARNING Nota: El aceite caliente puede salpicar, espumar o derramarse del freidor si se mueve, o aún si está fijo, creando el potencial de condiciones con peligro de caídas o quemaduras. Usa los aparatos y vestimentas de seguridad adecuados (al menos guantes y protector facial) al hacer mantenimiento, limpiar, vigilar u operar el freidor de gas.

APAGADO POR EXCESO DE TEMPERATURA

Si la grada se sobrecalienta, un dispositivo de seguridad de apagado de alta temperatura cerrará la válvula y apagará el piloto. Si el freidor se apaga debido a sobrecalentamiento, NO INTENTES volver a encender el piloto hasta que la temperatura de la grasa sea inferior a los 300° F (149° C).

Si persiste la situación de sobrecalentamiento, comuníquate con la oficina de servicio autorizado. La información de contacto puede encontrarse en la portada.

ANTES DE ESTRENAR

Limpieza: Las unidades nuevas son limpiadas en la fábrica con un paño para eliminar cualquier signo visible de polvo, aceite, grasa, etc. que quede del proceso de fabricación. Antes de cualquier preparación de alimentos, lave a profundidad el aceite protector de todas las piezas superficiales y el interior del tanque con agua jabonosa caliente para retirar cualquier residuo de película y polvo o desechos. Se sugiere usar un compuesto de limpieza por ebullición, esto ocurre en la fábrica antes de embalar y enviar a través de los canales normales de distribución.

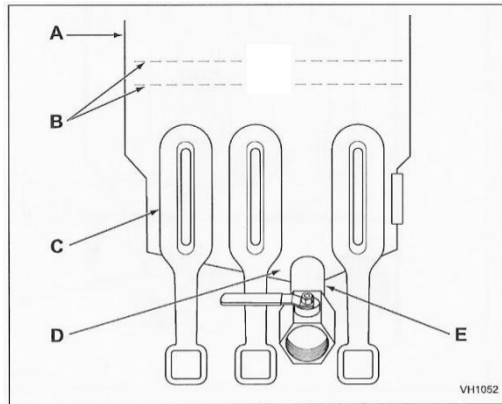
NOTICE No uses limpiadores con cloro ni sulfatos o sulfuros. Lava cualquier accesorio enviado con la unidad.
Lava el freidor y los accesorios completamente para drenar el freidor. Seca completamente el tanque con un paño suave limpio.

LLENAR EL TANQUE CON GRASA ENCENDER EL PILOTO

NO debe usarse grasa sólida con estos freidores. Derretir directamente grasa sólida en el tanque de fritura dañará el tanque y anulará tu garantía. **En caso de que se vaya a usar grasa sólida (como aceite de palma o de coco), esta debe derretirse completamente en otro electrodoméstico y luego verterse de manera cuidadosa y segura en la tina de fritura hasta que todos los quemadores de tubo queden totalmente sumergidos en aceite de cocina. Cualquier otra práctica o procedimiento para derretir anula la garantía del freidor y podría dañar el aparato o el aceite.**

Si el freidor será vaciado y no se rellenará inmediatamente con aceite, apaga el piloto de gas, cerrando la válvula. No intentes volver a encender el sistema hasta que la tina se haya llenado con aceite.

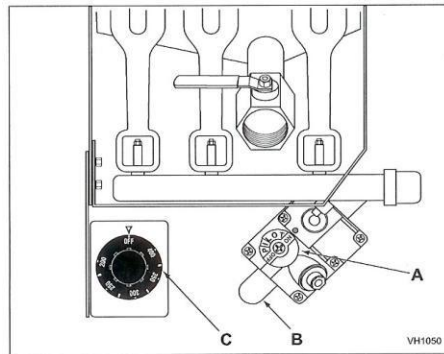
No intentes agregar grasa líquida a un tanque de fritura que no esté completamente seco, ya que el agua puede hervir y formar burbujas a medida que se calienta el aceite. El aceite caliente puede salpicar o derramarse de la tina, causando potencialmente quemaduras al operador o peligros de resbalones y caídas en el local, área, zona inmediatamente adyacente al freidor.



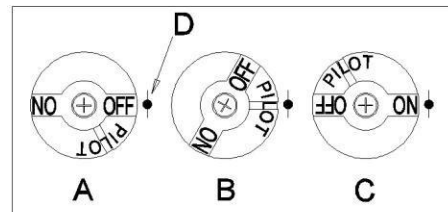
- A Tanque del freidor
- B Líneas de llenado MIN y MAX
- C Tubos calentadores
- D Zona fría
- E Tubería de drenaje

1. Cierra la válvula de drenaje.
2. Llena el tanque del freidor con grasa líquida.
3. El nivel de grasa debe estar entre las líneas de mínimo y máximo del tanque de fritura.
4. La grasa se expandirá al calentarse. No llenes el tanque de fritura (tina o contenedor) más allá de la línea MAX. Agrega grasa fresca como sea necesario para mantener el nivel de aceite. NO llenes sobre la línea máxima de llenado grabada en la tina de fritura. Si ninguna porción del quemador de tubo está expuesta al aire, puede agregarse grasa sólida directamente al freidor, poco a poco para evitar quemadas o reducir la vida útil del aceite.

ENCENDER EL PILOTO



- A Perilla de válvula de gas
- B Suministro de gas
- C Perilla del termostato



- A Perilla de válvula de gas, Vista A
- B Perilla de válvula de gas, Vista B
- C Perilla de válvula de gas, Vista C
- D Punto indicador, todas las vistas

1. Abre la puerta.
2. Apaga (OFF) el termostato (consulta la figura, vista A). El termostato está ubicado tras la puerta.
3. Presiona la perilla de la válvula de control del gas y gírala hacia apagado (OFF). Espera 5 minutos para que el gas no consumido se ventile.
4. Presiona y gira la válvula de control de gas a la "L" en PILOT (piloto) (consulta la figura a continuación, vista B).
5. Sosteniendo la perilla adentro, enciende el piloto con una llama adecuada. Mantén presionada la perilla hasta que el piloto se mantenga encendido cuando sueltes la perilla. Si el piloto no se mantiene encendido, repite los pasos 3 al 5.
6. Presiona y gira la válvula de control de gas a ON (consulta la figura a continuación, vista C).
7. Si se interrumpe el suministro de gas, repite los pasos 2 al 6.

ENCENDER EL FREIDOR

1. Coloca la perilla de temperatura en la temperatura deseada.
2. Después de alcanzar la temperatura establecida, el termostato apaga el flujo de gas hacia los quemadores.
3. El piloto se mantiene encendido. Los quemadores alternan encendiendo y apagándose para mantener la temperatura en el punto establecido.

APAGAR EL FREIDOR

1. Apaga el termostato (OFF).
2. Para mantener encendido el piloto, coloca la válvula de gas en piloto a "L". {solo el piloto se mantiene encendido en esta posición}
3. Para cortar todo el gas al sistema, incluyendo el piloto, gira la perilla de la válvula de gas a OFF (apagado).

APAGADO EXTENDIDO

1. Gira la perilla del termostato a OFF (apagado).
2. Presiona la perilla del piloto y gírala hacia apagado (OFF).
3. Drena completamente el freidor. Consulta DRENAR EL FREIDOR.
4. Limpia el freidor de acuerdo con LIMPIEZA.
5. Cierra la válvula principal de corte.

Se sugiere una limpieza completa por ebullición del freidor cuando se desee volver a activar el freidor después de cualquier apagado extendido. NOTA: Si el piloto se apaga, un sensor de control de seguridad (termopila) corta el suministro de gas hacia el mismo.

INSTRUCCIONES BÁSICAS PARA FREÍR

- Establece la temperatura deseada y permite que la grasa se caliente a esa temperatura.
- Fríe artículos que tengan tamaños similares para garantizar una cocción uniforme.
- Drena o seca con un paño los alimentos húmedos o crudos para reducir al mínimo las salpicaduras al bajarlos al aceite caliente.
- Agrega grasa fresca arriba como sea necesario para mantener los niveles entre las líneas mínima y máxima de los niveles (volumen) de llenado recomendados (grabados).

PAUTAS PARA LA CESTA DE FREÍR

- No llenes de más las cestas. (Consulta la tabla a continuación para conocer las capacidades recomendadas para las cestas) Baja cuidadosamente cada cesta en el aceite caliente para reducir al mínimo la turbulencia y las salpicaduras y cubrir las demandas del cliente.
- Cuando frías rosquillas y fritas, voltea solo una vez el producto al freírse.
- Al cocinar papitas fritas o aros de cebolla, agita la cesta varias veces.
- Los alimentos empanados deben echarse con cuidado, uno por uno en la grasa o en la cesta (de usarse la cesta, sumérgela primero en el aceite para reducir la acumulación de harina en las superficies) de las cestas.
- Al terminar de freír, retira la cesta o el producto. Cuelga la cesta en el colgador trasero correspondiente, permitiendo que el aceite excedente regrese a la tina de fritura (jarra/ contenedor/ tanque).

CAPACIDAD DE LA CESTA DE FREÍR

- Para los modelos de freidor con tanque para 40 lb y 50 lb: El peso recomendado para papas fritas en cada bandeja es de 2.5 lb (1.14 kg). {**JAMÁS** coloques más de 3 lb de papitas congeladas en una cesta}
- Para los modelos de freidor con tanque de 70 lb, se recomienda que la carga máxima congelada sea de 3 libras (1.4 kg) por cesta.

EXTENDER LA VIDA ÚTIL DE LA GRASA

La vida útil de la grasa puede extenderse siguiendo las pautas a continuación:

- No eches sal a los alimentos en el freidor
- Usa grasa de buena calidad
- Filtra diariamente la grasa (como mínimo)
- Reemplaza la grasa si comienza a tener mal sabor
- Mantén limpios los equipos circundantes.
- Coloca el termostato correctamente, baja la temperatura a 210°F (99°C) durante los periodos de inactividad
- Elimina el exceso de humedad y las partículas de los alimentos antes de freírlos.
- Mantén el nivel adecuado de aceite en todo momento
- Mantén cubierta la tina para reducir al mínimo la oxidación en los tiempos de inactividad y baja el termostato.
- Asegúrate de que las migas y partículas de alimentos sean desechadas al menos dos veces al día (preferiblemente una vez cada hora y cada vez que las instalaciones tengan un periodo de inactividad)
 - Carga las cestas con productos secos libres de cristales de hielo (la humedad descompone el aceite)
 - Usa una espumadera para retirar cualquier alimento frito flotante que no esté en una cesta de fritura

DRENAR EL TANQUE

1. Apaga (OFF) el termostato.
2. Usar indumentaria de seguridad (al menos protección facial y guantes), enrosca la tubería de drenaje extendida en su sitio de manera que el tanque pueda drenarse en un recipiente secundario seguro de tamaño adecuado
3. Para mantener encendido el piloto, coloca la válvula de gas en PILOT.
4. Drena directamente el pico sobre el recipiente al que deseas verter la grasa.
5. Abre la válvula de drenaje. El aceite se drenará hacia el recipiente. Cierra la válvula de drenaje cuando el recipiente esté lleno o el tanque de fritura esté vacío. Repite este paso hasta que la tina se vacíe.
6. Si lo deseas, realiza la limpieza semanal como se describe bajo LIMPIEZA.
7. Una vez que el tanque esté completamente vacío, agrega aceite nuevo y establece el termostato a la temperatura deseada. Nota: Se recomienda realizar una limpieza por ebullición del freidor con compuesto limpiador al menos una vez al mes.

No dejes el freidor sin supervisión durante una limpieza por ebullición del tanque, la solución de limpieza por ebullición puede hacer espuma y derramarse de la tina. Si esto sucede, enciende el termostato y cierra la válvula de gas. Vuelve a encender la válvula de gas y vuelve a encender el freidor, luego reinicia la limpieza por ebullición después de que la espuma se haya disipado.

FILTRADO DIARIO

 WARNING El aceite y las piezas calientes pueden causar quemaduras.

Ten cuidado al operar, limpiar o dar mantenimiento al freidor.

- Filtra la grasa al menos una vez al día. Consulta las instrucciones provistas con tu equipo de filtrado.
- Un freidor frío no drenará adecuadamente. Filtra la grasa siempre entre 250°F and 325°F. La grasa en el área de la zona fría se mantendrá dura si el calor sólo está encendido por algunos minutos. De ser necesario, usa la vara de limpieza para revolver con cuidado la grasa sólida a un área que esté sobre la zona fría, donde pueda derretirse. Usa el cepillo para tanque para ayudar a limpiar de desechos los lados y los tubos. Aplicar cuidadosamente algo de aceite caliente con el cepillo puede ayudar a limpiar mejor las paredes laterales de la tina. Usa la cuchara de migas para ayudarte a limpiar la zona fría
- Este freidor fue diseñado para el filtrado eficiente de la grasa, usando una configuración de cono de papel, una red de filtro de malla plástica con mango, o un sistema de filtrado de potencia portátil como método de filtrado del aceite.

LIMPIEZA

⚠ WARNING El aceite y las piezas calientes pueden causar quemaduras.
Ten cuidado al operar, limpiar o dar mantenimiento al freidor.

NOTICE No uses limpiadores con cloro ni sulfatos o sulfuros.

CALENDARIO DE MANTENIMIENTO Y DESINFECCIÓN DEL FREIDOR DE GAS

Tareas diarias: Limpia regularmente tu freidor con el cepillo para el tanque, usando un paño húmedo, y pule con un paño seco suave. Si se obvia la limpieza regular, la grasa se puede quemar y pueden formarse decoloraciones. Las huellas digitales son a veces un problema en superficies muy pulidas o sobre acero inoxidable. Pueden llevarse al mínimo aplicando un limpiador que deje una película delgada aceitosa o cerosa.

- Limpia todas las superficies exteriores en tu freidor al menos una vez al día.
 - Usa un paño húmedo con agua tibia y jabón o detergente suave.
 - Retira las decoloraciones lavando con cualquier detergente o jabón y agua. Usa una almohadilla de fregar no metálica auto jabonosa para superficies con mugre particularmente difícil y que presentan decoloración.
 - Frota siempre en dirección a las vetas del acero inoxidable u otros acabados metálicos.
 - No uses almohadillas metálicas ni limpiadores abrasivos.
1. Vacía el tanque en un recipiente aprobado para almacenaje de aceite caliente separado mientras filtras el aceite hacia alrededor de 275°F (135°C)
 2. Limpia las migas de la zona fría y las paredes
 3. Usa el cepillo y un paño limpio entre los quemadores del tubo y elimina todos los residuos de las paredes del tanque.
 4. Rellena con cuidado el tanque del freidor con el aceite después de probarlo usando un tubo o cinta de color. Usa aceite fresco cuando la prueba indique que es el momento de desechar el aceite viejo, de otra forma, el mismo aceite rellena la tina
 5. Limpia y desinfecta el área alrededor del freidor
 6. Lava el colgador de la cesta (si es desmontable) o limpia con un paño los tubos para colgar la cesta, si son fijos
 7. Limpia las cestas de fritura y el rack de freír que descansa sobre el quemador de tubo, eliminando todas las migas y partículas de alimentos
 8. Programa realizar estos eventos en las noches y pide al gerente general o del turno que evalúen la ejecución
 9. Mantén el exterior del freidor limpio y libre de acumulación de grasa para evitar que se formen manchas difíciles. Si se obvia la limpieza regular, la grasa se polimerizará y puede quemarse y pueden formarse decoloraciones.
 10. Enjuaga completamente y luego pule con un paño seco suave. Deseas que el tanque limpio esté completamente seco. Tras ser limpiado y secado, vuelve a llenar el tanque con aceite o frótalo con aceite para reducir el riesgo de oxidación que ocurre aun cuando la tina está hecha de acero inoxidable.

Tareas semanales:

1. Limpiar detrás del freidor.
2. Limpiar bajo el freidor.
3. Limpia los lados del freidor.
4. Confirma que el control de temperatura de la tina de fritura sea preciso y no necesite calibración; de lo contrario, programa esta actividad con un técnico de servicio o un asociado de QA

Tareas mensuales

1. Realiza una limpieza por ebullición del tanque del freidor
2. Prueba el tiempo de calentamiento del freidor {deben ser como 2 minutos de tiempo inicial de calentamiento (para que el aceite vaya de 80° a 275°F)[27° - 135°C]}
3. Revisa la apariencia de la llama del quemador al igual que su calibración

Tarea semestral:

1. Confirma que el límite alto sea seguro y que los seguros termopilas de los pilotos estén en funcionamiento
2. Limpia los orificios del quemador y reajusta
3. Ejecuta una prueba de quemadores: [confirma que el consumo de gas esté dentro del 2% del valor original al tiempo de iniciar funciones]
4. Inspecciona las condiciones generales y el grosor de los baffles del quemador, replázalos si están desgastados, delgados o deformados
5. Haz que la unidad sea inspeccionada por un técnico de servicio adiestrado en la fábrica para conocer el estado general de necesidad de reparación
6. Inspecciona la indumentaria de seguridad y otros accesorios, incluyendo las cestas para freír, para conocer el estado general de necesidad de reparación
 - a. De encontrar cualquier problema de desgaste excesivo o desempeño deficiente, reemplaza ese componente.
 - b. Valida la calibración del termómetro usado para calibrar el termostato
 - c. Usa la vara de limpieza para vaciar el drenaje {ejecuta una prueba de tiempo de drenaje (debe estar dentro de los 10 segundos del valor al tiempo de iniciar funciones)}
7. Registra los resultados de evaluación para referencia en el futuro y consultar la desviación en el tiempo
8. Confirma el tiempo de fritura y la temperatura del aceite de freír después de terminar un lote y sacarlo del aceite y el tiempo de recuperación para regresar a 350°F. Este tiempo debe ser el mismo en todas las pruebas, o con una diferencia que se mantenga dentro de los 10 segundos.

PROCEDIMIENTO DE LIMPIEZA POR EBULLICIÓN

Semanalmente o como sea necesario (se sugiere enfáticamente que la limpieza por ebullición se realice con una frecuencia no menor a mensual):

1. Drena el tanque como se describe bajo DRENAR EL TANQUE.
2. Una vez drenada la grasa, expulsa los restos y sedimentos con una pequeña cantidad de grasa tibia, usando un cepillo para tanque. Deja secar el tanque completamente.
3. Cierra la válvula de drenaje y llena el agua del tanque. Usa un limpiador/desengrasante espumante para limpiar el tanque de fritura. Sigue las instrucciones en los lados del empaque. **No uses limpiadores con cloro ni sulfatos o sulfuros. Se sugiere usar polvo comercial para limpieza por ebullición**
4. Agrega solución comercial para limpieza por ebullición [la altura de la solución debe ser entre los niveles grabados en el tanque de MIN y MAX].
5. Configura el termostato en la temperatura recomendada para la solución a utilizar. No excedas los 210°F. Deja que la solución hierva a fuego lento por 15 o 20 minutos.
6. Drena del tanque la solución de limpieza.
7. Cierra la válvula de drenaje y vuelve a llenar el tanque con agua. Agrega 1 taza (1/4 L) de vinagre o ácido cítrico suave para neutralizar la alcalinidad dejada por el limpiador. El nivel de solución debe estar entre las líneas de MIN y MAX del tanque de fritura.
8. Lleva la solución a la ebullición a fuego lento y apaga el termostato. Deja que repose por varios minutos.
9. Drena el tanque como de acuerdo con DRENAR EL TANQUE. Enjuaga bien con agua clara y caliente. Deben eliminarse todos los restos de limpiador. Seca el tanque completamente.
10. Cierra la válvula de drenaje y agrega grasa. Sigue el procedimiento de LLENAR EL TANQUE CON GRASA de este manual. El freidor está ahora listo para usar.

Aunque la tina debe estar seca antes de rellenarla con aceite, no enciendas el freidor para ayudar a que se seque. Pueden ocurrir daños a la tina (distorsión) y la garantía del equipo de anulará.

INSPECCIÓN Y MANTENIMIENTO DE VENTILACIÓN DE CHIMENEA

⚠ WARNING El aceite y las piezas calientes pueden causar quemaduras.
Ten cuidado al operar, limpiar o dar mantenimiento al freidor.
Derramar aceite caliente o solución o compuesto de limpieza por ebullición calientes puede ser causa de quemaduras graves.
NO muevas el freidor sin drenar antes todo el compuesto de fritura y el líquido del tanque.

CUIDADO: Una tina de freidor sucia o un quemador de tubo obstruido puede afectar negativamente la calidad de los alimentos fritos terminados, el desempeño del freidor y su capacidad. Se recomienda que, además de al menos una limpieza mensual por ebullición del freidor, el aparato reciba dos veces al año ajustes preventivos de mantenimiento y limpieza o remplazo de componentes {de ser necesario}. Nuestros técnicos de servicio en campo capacitados pueden hacer estos ajustes.

Revisa la chimenea y sus conexiones semestralmente, cuando el freidor esté frío. Revisa la chimenea y elimina cualquier obstrucción. Si cualquier cosa está suelta o desgastada, aprieta la conexión y reemplaza las piezas como corresponda.

SERVICIO EN EE. UU. / CANADÁ

Comunícate con la oficina de servicio autorizado. Esta información se encuentra en la portada.

TABLA Y GUÍA DE SOLUCIÓN DE PROBLEMAS

PROBLEMA	CAUSA PROBABLE
NO CALIENTA	El dial del termostato no está encendido El piloto no está encendido Suministro de gas cerrado Conexiones de cables sueltas (llamar al servicio) Las conexiones de los cables necesitan limpieza (llamar al servicio) Falla de la termopila (llamar al servicio) La manguera de desconexión rápida no está conectada
CALOR INSUFICIENTE O EXCESIVO:	El dial del termostato no está configurado en la temperatura deseada Límite Alto rebasado (llamar al servicio) Funcionamiento deficiente de la sonda de temperatura (llamar al servicio) Llama del quemador no encendida o bafles quemados
EL TANQUE NO DRENA:	La grasa está muy fría para fluir, vuelve a calentarla a más de 275°F (135°C) Tubería de drenaje obstruida con desechos- desatasca con vara de limpieza El asa de la válvula de bola está atascada o suelta y no abre

GARANTÍA LIMITADA PARA FREIDORES DE GAS

Para los detalles de la garantía, por favor consulta:

www.TheLegacyCompanies.com/techservice o llama al 1-877-368-2797

Se incluye una tarjeta de garantía en el paquete que contiene las patas de montaje (o, en algunas situaciones, las rueditas). Llena la tarjeta de garantía, pide al dueño/operador y al instalador que la firmen. Incluye la dirección de la ubicación final, el teléfono, la persona de contacto, la dirección de correo electrónico y la fecha en la que la unidad fue puesta en funcionamiento para activar esta garantía y permitir que haya intercambio periódico de correspondencia. **Si la tarjeta postal de garantía no es regresada**, el fabricante puede decidir NO cumplir con los términos de la garantía del freidor.

Si a tu producto le falta la tarjeta de garantía, por favor envía la siguiente información a:

Garantía y hoja de datos de referencia: (haz una copia de retorno de tamaño de postal estándar) The Legacy Companies
TARJETA DE GARANTÍA DEL FREIDOR DE GAS
C/O Servicios técnicos
3355 Enterprise Avenue, Suite 160 Fort Lauderdale, FL 33331

Marca y número de modelo _____

Número de serie _____

Tipo de gas usado para suministro _____

Presión de gas en la válvula _____

Fecha de instalación _____

Fecha de inspección de construcción _____

Tipo de protección contra incendios- polvo fluido

Tipo de instalación del freidor en piso- fijo móvil

Tiempo de drenaje _____

Tiempo de calentamiento (80 ° a 275 °F) [27 ° a 135 °C] _____

Si es móvil:

Núm. de modelo del juego de rueditas _____

Longitud del cable de sujeción pasiva _____

Núm. de modelo del cable de sujeción pasiva _____

Tamaño de la manguera flexible de conexión rápida _____ Largo _____ Número de modelo _____

Número de modelo de la válvula de cierre _____

{Instalado antes del punto final de conexión del freidor de gas para cumplir con las regulaciones estadounidenses}

El piloto y los seguros contra sobrecargas altas pasaron las pruebas

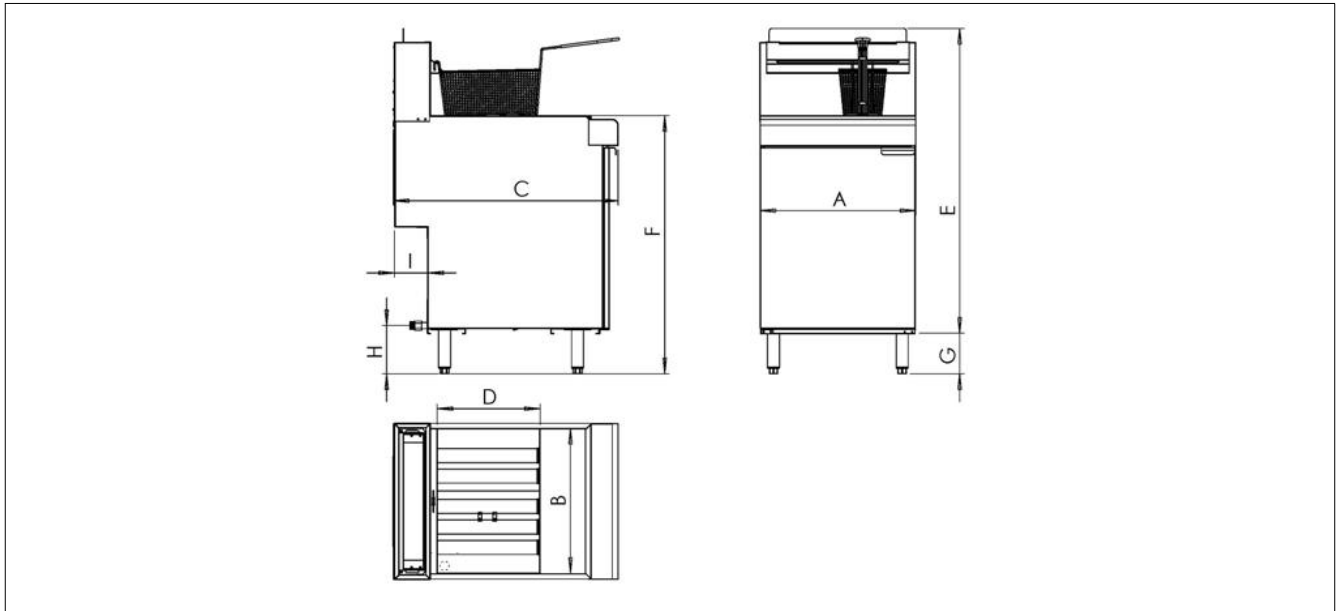
a. Sí

Fecha _____

_____ (POR FAVOR, COLOCA TUS INICIALES) el manual de instalación ha sido leído y comprendido.

ESPECIFICACIÓN y APROBACIONES A TERCEROS CON CALIDAD COMERCIAL

DIMENSION



Modelo	Ancho (plg)		Profundida		Alto (plg)		Conexión de Gas			BTU/hr totales
	A	B	C	D	E	F	G	H	I	
BMF40-90NAT&LP	15.5	14.0	30.3	14.0	47.2	34.7	6.0	7.0	4.2	90,000
BMF50-120NAT&LP	15.5	14.0	30.3	14.0	47.2	34.7	6.0	7.0	4.2	120,000
BMF70-150NAT&LP	21.0	18.0	30.3	14.0	47.2	34.7	6.0	7.0	4.2	150,000

INFORMACIÓN DEL SUMINISTRO DE GAS Y EL QUEMADOR

La presión de suministro debe ser como mínimo de 4" W.C. para el gas natural o de 10" W.C. para el propano. El freidor viene con un conector macho NPT de 3/4" en una tubería de 1/2", lo cual te permite conectar con conectores hembra NPT de 3/4" o 1/2".

Modelo	Quemadores	Tipo de gas	Presión del distribuidor	Cantidad de tubos de calor	Califique cada BTUs / Hora	Calificación total de BTUs / Hora	Tamaño del orificio
BMF40-90	Principal	Natural	4" W.C.	3	30,000	90,000	núm. 40.
		Propano	10" W.C.	3	30,000	90,000	núm. 52.
BMF50-120	Principal	Natural	4" W.C.	4	30,000	120,000	núm. 40.
		Propano	10" W.C.	4	30,000	120,000	núm. 52.
BMF70-150	Principal	Natural	4" W.C.	5	30,000	150,000	núm. 40.
		Propano	10" W.C.	5	30,000	150,000	núm. 52.

* La presión de suministro mínima es de 4" W.C. para el gas natural o de 10" W.C. para el propano.

** Los tamaños de los orificios son para unidades instaladas en altitudes de 0 a 2000 pies sobre el nivel del mar.

APROBACIONES A TERCEROS CON CALIDAD COMERCIAL

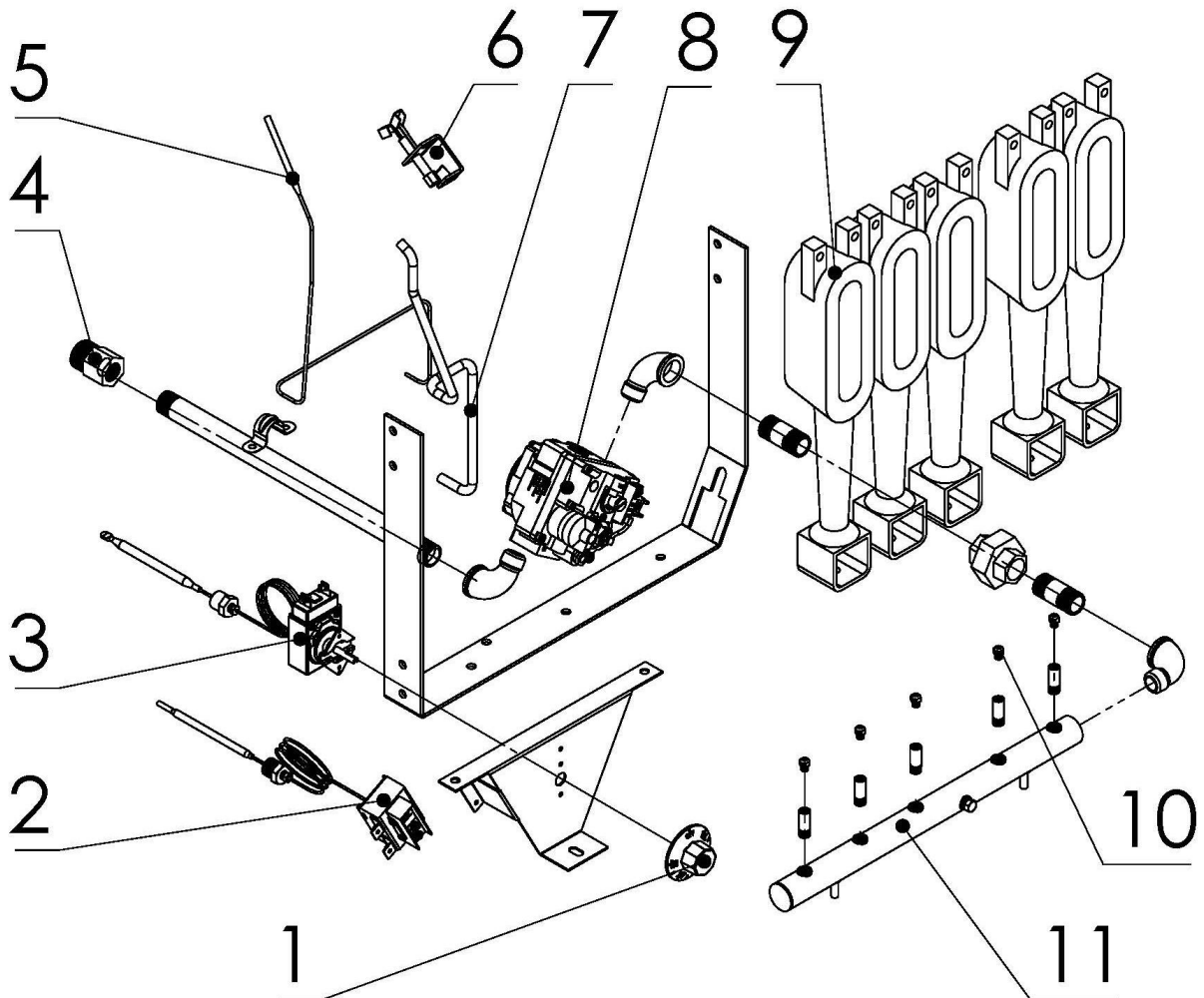


Cumple con la norma ANSI STD Z83. 11-2016
Certificado para CSA STD 1.8-2016
Cumple con la norma NSF/ANSI Std.4

DIAGRAMAS, VISTAS AMPLIADAS

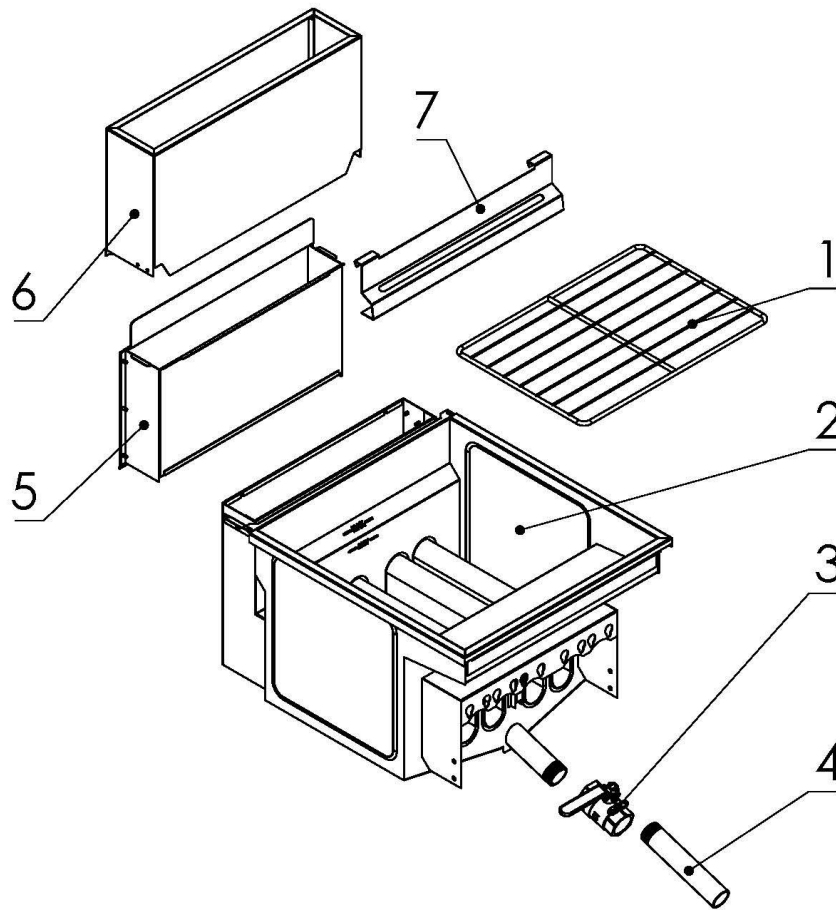
Vista ampliada con los números de accesorio o pieza de repuesto

1. Piezas de gas para el freidor (se muestra el de 5 tubos)



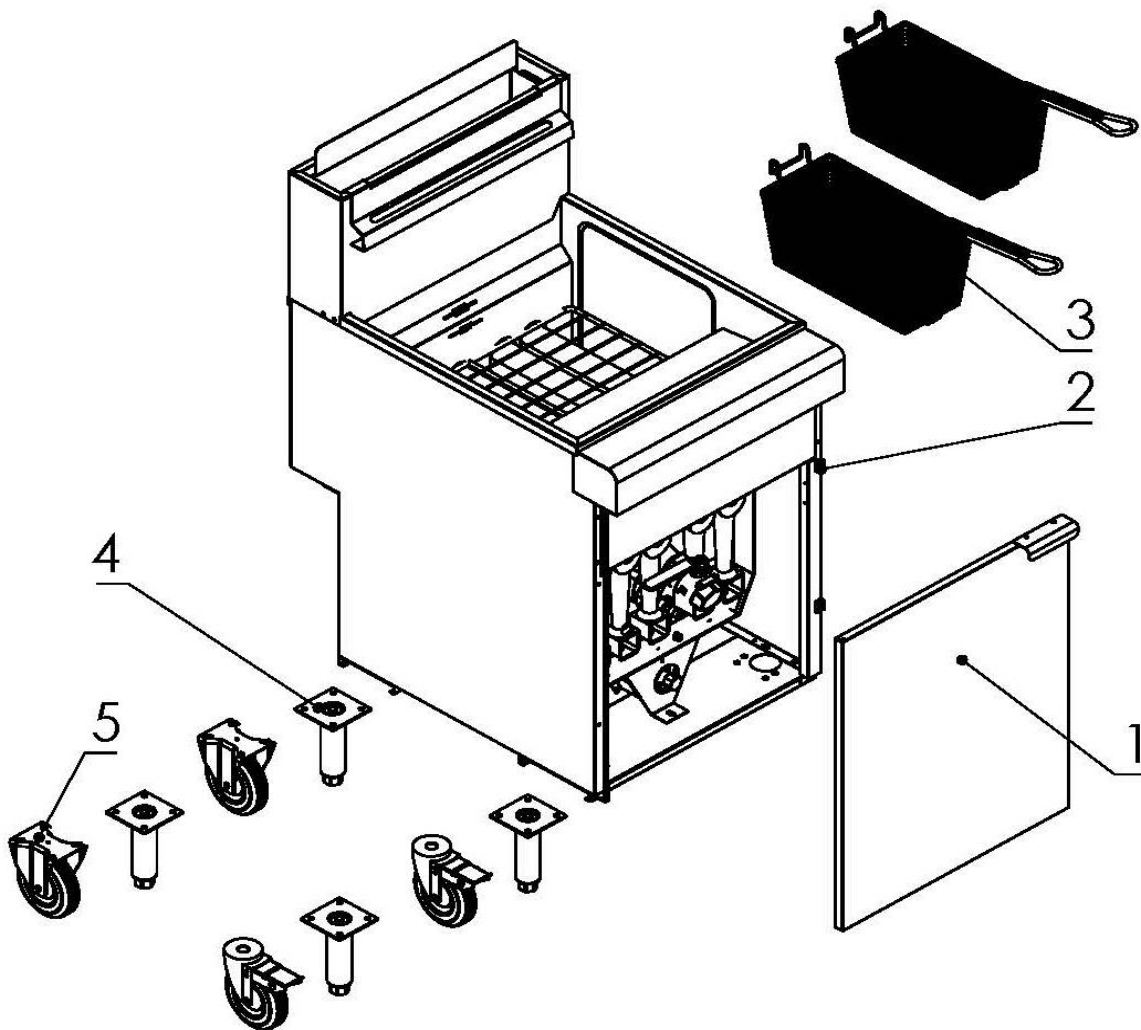
Clave	Número de pieza	Cant.	Descripción
1	Parte de 14031A	1	Perilla, para termostato
2	16031A	1	Termostato, límite alto de seguridad de 450 °F,
3	14031A	1	Termostato en milivoltios para freidor, regula la temperatura entre 200 ~ 400 °F
4		1	Adaptador, de 1/2" a 3/4"
5	13031A	1	Termopila de seguridad de 18" para piloto
6	12011A	1	Piloto para gas natural
	12021A	1	Piloto para propano líquido
7	12041A	1	Tubería de fuelle, 1/4" para termopila
8	11011A	1	Válvula de combinación milivoltios para gas natural
	11021A	1	Válvula de combinación multivoltios para propano líquido
9	20031A	cada uno	Quemador, freidor
10	21011A	cada uno	Orificio Núm. 39, para gas natural
	21021A	cada uno	Orificio Núm. 52, para propano líquido
11	10061A	1	Tubería de suministro de gas 3 - Distribuidor de quemador
	10062A	1	Tubería de suministro de gas 4 - Distribuidor de quemador
	10063A	1	Tubería de suministro de gas 5 - Distribuidor de quemador

2. VISTA AMPLIADA DEL TANQUE DE FRITURA



Clave	Número de pieza	Cant.	Descripción
1	36031A	1	Pantalla, colector de migas, freidor de 3 y 4 tubos
	36033A	1	Pantalla, colector de migas, freidor de 5 tubos
2	30031A	1	Tanque, freidor de 3 tubos (sin chimenea)
	30032A	1	Tanque, freidor de 4 tubos (sin chimenea)
	30033A	1	Tanque, freidor de 5 tubos (sin chimenea)
3	35031A	1	Válvula, bola
4	35032A	1	Tubería de drenaje, extensión
5	31031A	1	Chimenea, parte superior, desmontable, freidor de 3 tubos
	31032A	1	Chimenea, parte superior, desmontable, freidor de 4 tubos
	31033A	1	Chimenea, parte superior, desmontable, freidor de 5 tubos
6	32031A	1	Chimenea, envoltorio, parte superior, desmontable, freidor de 3 y 4 tubos
	32033A	1	Chimenea, envoltorio, parte superior, desmontable, freidor de 5 tubos
7.	33031A	1	Colgador de cesta, freidor de 3 y 4 tubos
	33033A	1	Colgador de cesta, freidor de 5 tubos

3. Otras piezas (incluyendo las piezas de instalación de rueditas opcionales)



Clave	Número de pieza	CANT.	Descripción
1	40031A	1	Ensamblaje de la puerta, completo, 3 y 4 tubos
	40033A	1	Ensamblaje de la puerta, completo, 5 tubos
2	41031A	1	Imán para puerta
3	51031A	2	Cesta doble, freidor de 3 y 4 tubos
	51033A	2	Cesta doble, freidor de 5 tubos
4	52031A	4	Pata, 6", ajustable,
		1 juego	Kit de patas, 6", ajustable, Juego de 4 con herrajes de montaje
5	53031A	2	Ruedita opcional, 4", con freno
	53031B	2	Ruedita opcional, 4", sin freno
	53051A	1 juego	Kit opcional de rueditas, 4", juego de 4 (dos con freno y dos sin freno) con herrajes de montaje
6	10031A	1	Manguera de conexión rápida de 4' (opcional, solicitado por cliente)
7	10041A	1	Cable de sujeción de 3'
8	10051A	1 juego	Sistema de conexión de gas para freidores móviles (Incluyendo 10031A y 10041A)
9		1	Vara de limpieza de drenaje de freidor opcional de 25"



Los depósitos de carbón del quemador son resultado de orificios de suministro de tamaño errado, una configuración inadecuada de presión, o una chimenea obstruida. **Las vibraciones e impactos tales como tirar la puerta de acceso o agitar/golpear la cesta de fritura en la superficie superior del freidor pueden hacer que el interruptor de límite alto de seguridad se abra. Un acojinamiento adicional puede ayudar a que estas vibraciones e impactos sean absorbidos**

Los freidores de gas independientes para grasa líquida vienen con patas niveladoras de 6" y 2 cestas de fritura. El quemador de tubo debe estar sumergido en aceite de fritura antes de encender la válvula de gas, el piloto o los quemadores de tubo. Accesorios recomendados (no incluidos)



Casters



Skimmer



Crumb Scoop



Long Stem Thermometer



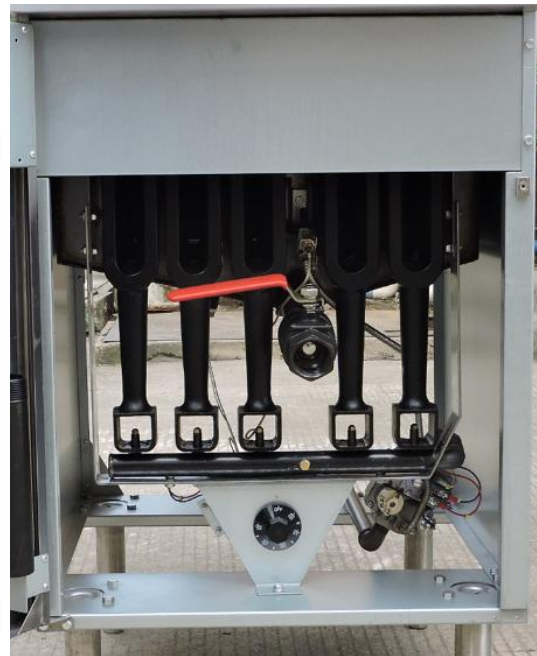
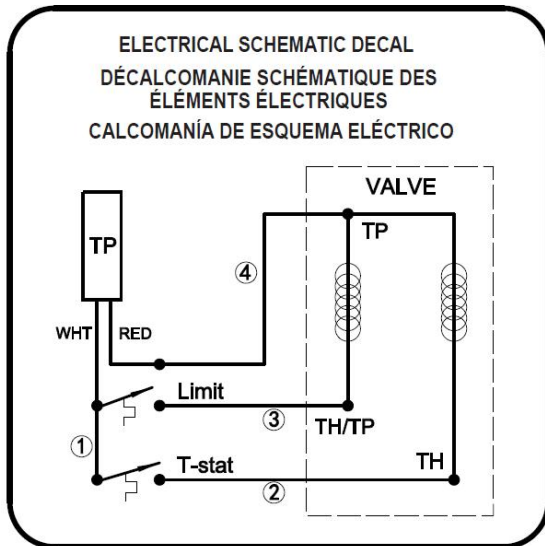
Drain Pipe Extension



Filtrar el aceite y limpiar el tanque diariamente, además de limpiar la superficie del aceite y eliminar las migas y partículas de comida antes de que puedan carbonizarse a lo largo del día en el aceite programado a la temperatura calibrada adecuadamente (350°F para la mayoría de los productos), extenderá la vida útil del aceite. Algunos accesorios vienen con el freidor, otros deben comprarse. Se recomiendan artículos aprobados por el fabricante

DIAGRAMA ESQUEMÁTICO DEL CONTROL ELÉCTRICO

(Describe el sistema de milivoltios)



NOTA: La posición del dial del termostato puede diferir dependiendo del modelo

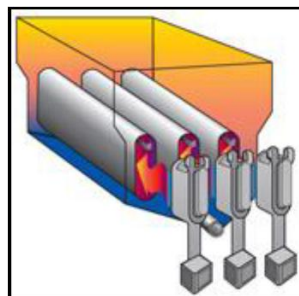
Este aparato que funciona a gas no necesita conectarse a un tomacorriente de pared (servicio eléctrico)

BOCETO DESCRIPTIVO DEL TANQUE DE FRITURA

Vista de plano de un tanque de fritura que muestra quemadores de tubo típicos de 30,000 BTU/Hora, el termostato y un sensor de límite alto.



Vista de sección de un tanque de freidor que muestra la zona de fritura de aceite caliente, la zona media de quemador de tubo con termostato y seguridad de límite alto y el drenaje inferior y el colector de migas o área de acumulación de empanizado quemado; también conocida como la Zona fría:



*** En esta ilustración se muestra un tanque de tres quemadores de tubo: Se recomienda drenar el aceite todas las noches, eliminar todas las migas de la zona fría y limpiar los lados del tanque y entre los quemadores de tubo usando un cepillo de cerdas rígidas. Rellena la unidad con aceite sólo si la unidad está seca

INDUMENTARIA DE SEGURIDAD

Cestas de fritura y colgadores típicos

Vestimenta protectora necesaria para el freidor – Guantes y protector facial

Usa siempre los equipos y herramientas adecuados de seguridad al hacer mantenimiento al freidor. El aceite caliente puede causar quemaduras graves.



Los accesorios recomendados o aprobados por la fábrica pueden ordenarse llamando al 1-877-600-8401.

Nuestra línea de accesorios incluye indumentaria de seguridad (guantes, protector facial y delantal), un termómetro digital de vástago largo para calibrar y revisar el termostato, cepillos de limpieza para altas temperaturas, una bolsa de filtrado, rueditas, un recipiente auxiliar para soportar el contenido del tanque al limpiar o filtrar el aceite caliente, manguera de suministro de gas de conexión rápida y cable de sujeción.

BENEFICIOS, CARACTERÍSTICAS Y OPCIONES REFERENTES A ESTE FREIDOR

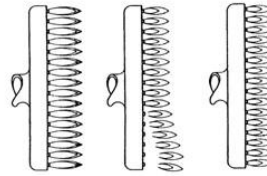
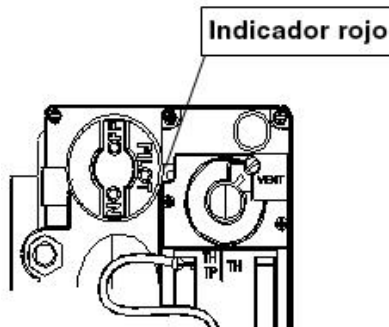
- a. Un equipo de especialistas de servicio técnico capacitados para resolver cualquier problema de garantía o desempeño de tu freidor trabaja las veinticuatro horas brindando servicio y despachando técnicos locales de mantenimiento en caso de que haga falta una visita para hacer reparaciones.
 1. Piezas de repuesto en existencias de varios depósitos en los EE. UU. para brindar los mejores tiempos de respuesta y llevar al mínimo el periodo de inactividad
 2. Red de agentes de servicio capacitados que realiza PM o mantenimiento necesarios para que el freidor funcione en las mejores condiciones
 3. Certificación de terceros independientes respecto a calidad de trabajo en cuanto a los siguientes atributos
 - a) Componentes y controles de gas seguros y confiables [cumplen con los requisitos de conexiones de gas y ventilación de escape]
 - b) Desinfección y limpieza: cumple con los criterios de diseño sanitario más recientes
 - c) Seguridad del operador, incluyendo la estabilidad del aparato si se instalan rueditas en lugar de las patas niveladoras
 - d) Desempeño de la transferencia de calor en el aparato, los quemadores de tubo, el termostato, la válvula de gas y el piloto permanente
- b. Todas las tinas de fritura son soldadas continuamente con uniones de metal y arco de gas inerte y son probadas con presión hidrostática para garantizar años de operación confiable y libre de fugas. Nuestras tinas de fritura 100% inspeccionadas y probadas vienen con una garantía extendida de 2 años.
- c. Nuestros freidores son probados con control de calidad al 100% en cuanto a desempeño adecuado de los quemadores, drenaje completo de la tina, calibración de la temperatura, flujo de gas y orificio correctos (gas natural o LP), y luego pasado a través de una limpieza por ebullición para garantizar que la tina esté libre de restos y desechos. Después de la limpieza por ebullición, la tina de fritura es rociada/recubierta con una capa fina de aceite vegetal para evitar corrosión durante el envío.
- d. Cada freidor es revisado en cuanto al volumen adecuado de grasa en la tina y para conexiones de líneas de gas sencillas de ½" o ¾" de diámetro
- e. Cada quemador de tubo atmosférico tiene baffles internos que mejoran la eficiencia termodinámica del aparato. Han sido construidos y probados de acuerdo con las mismas especificaciones precisas independientemente del modelo de freidor o tamaño de la tina de manera que las piezas de repuesto y el servicio, cuando sean necesarios, puedan ser despachados adecuadamente dentro de las 24 horas siguientes, resultando en un tiempo de inactividad mínimo y años de operación confiable y rentable. Cada quemador de tubo atmosférico brinda 30,000 btu/hr si se ajusta adecuadamente.

- f. Los kits de accesorios opcionales están disponibles para facilitar las siguientes condiciones: {debe cumplir con cualquier necesidad operativa}
 - 1. Indumentaria para la operación segura del freidor, incluyendo guantes, protector facial y delantal
 - 2. Para calidad de la grasa y la vida útil extendida de los elementos de aceite: la red de filtro, el contenedor secundario de aceite que coincida con el volumen de la tina, el cepillo de cerdas rígidas para tina de fritura, la vara de limpieza de líneas de drenaje, la espumadera de malla para residuos y el compuesto para limpieza por ebullición del recipiente de fritura.
 - 3. Termómetro digital para la temperatura del aceite de vástago largo (24") para revisión de calidad, mantenimiento y confirmación de calibración
 - 4. Rueditas con manguera de gas de desconexión rápida y cable de sujeción que permiten que la unidad se mueva fácilmente para su limpieza
 - 5. La cubierta de la tina ayuda a reducir al mínimo el consumo de gas, pero manteniendo al freidor listo para ser operado
 - 6. Tira de unión para entrelazar 2 freidoras lado a lado y evitar goteos o filtraciones de aceite en sus paredes laterales
 - 7. El salpicadero evita que el aceite salte hacia el área exterior contigua al freidor (posiblemente hacia una llama expuesta, el quemador superior de una estufa o una resistencia calentadora, resultando en un riesgo más alto de posible/potencial incendio)
 - 8. Varios tamaños de cestas para frituras especiales (cada unidad viene con cestas de tamaño medio para papitas fritas)
 - 9. Kit de conversión de gas para gas natural y propano líquido, así como orificios reemplazables para lugares con elevaciones variadas.
 - 10. Kit de prueba de vida útil del aceite, incluyendo gotero y pipetas para referencia de color
 - 11. Marco cónico para filtro de fritura
 - 12. Insertos de papel para filtro cónico y polvo de limpieza de diatomita
- g. Viene con termostato de milivoltios que regula la temperatura de la grasa líquida entre 200°F y 400°F (93°C a 204°C)
- h. La válvula integral de gas y el piloto permanente corta el flujo de gas si se extingue la llama del piloto.
- i. Viene con un límite de alta temperatura que cierra completamente el flujo de gas del freidor si falla el termostato principal
- j. Excelente tiempo de recuperación de la temperatura del aceite brinda una capacidad excelente para freír alimentos para el tamaño del freidor seleccionado
- k. Zona fría grande que reduce al mínima los restos y partículas de alimentos carbonizados, conservando el sabor y extendiendo la vida útil del aceite
- l. El posicionamiento del sensor del termostato y el enrutamiento del cableado reducen al mínimo el riesgo de que se enreden en las cestas al moverlas
- m. Los alambres de la cesta de fritura de níquel enchapado para trabajo intenso permiten una larga vida útil y alimentos fritos terminados de alta calidad
- n. El manual de operación provisto con guía de solución de problemas garantiza que tus alimentos fritos servidos tengan la mejor calidad y que se elimine el tiempo de inactividad de producción debido a bajo rendimiento del freidor, o se mantenga al mínimo
- o. Llega con garantía de 1 año para las piezas y la mano de obra del aparato completo, si se instala y mantiene adecuadamente
- p. 3 tamaños de freidor para cumplir con las necesidades de la demanda de tu producción operativa y flexibilidad de menú (tinas de 40 lb, 50 lb y 70 lb)

AJUSTE DE LOS COMPONENTES DEL SISTEMA DE CONTROL DE GAS

REVISIÓN Y AJUSTE DEL PILOTO DE SEGURIDAD

La llama piloto debe rodear la termopila por $\frac{1}{2}$ ". Debe ser lo suficientemente grande y fina como para hacer que la termopila tenga un brillo rojo mate o suficiente como para mantener abierta la válvula de seguridad.



Puntas amarillas (muy poco aire o demasiado gas)
Llama normal
Apagando o aumentando las llamas (demasiado aire)

Diagrama de la válvula de gas REVISIÓN Y AJUSTE DE LOS REGULADORES DE PRESIÓN

Las llamas del quemador de tubo deben estar ajustadas adecuadamente

La válvula de combinación de gas (incluye regulador de presión) está configurado desde la fábrica a 4" W.C. para el gas natural y 10" W.C. para el gas propano. Haz lo siguiente para revisar la presión de la válvula:

1. Apaga el termostato "OFF" y lleva la válvula de combinación de gas a la configuración de "PILOT" (piloto).
2. Quita el tapón de presión de la válvula del quemador ubicada directamente bajo los quemadores del gabinete.
3. Instala un acople adecuado para conectar un manómetro.
4. Abre la válvula de combinación de gas en la posición de "ON" y enciende el termostato a "ON" y los quemadores se encenderán. Asegúrate de que haya suficiente aceite cubriendo los tubos.
5. Con los quemadores encendidos, lee el manómetro
6. Si el manómetro no lee 4" W.C. para el gas natural o 10" W.C. para el gas propano, ajusta el regulador.
7. Quita la tapa del tornillo de ajuste del regulador (observa el diagrama de la página 15)
8. Rota con un destornillador pequeño el tornillo en la dirección de las manecillas del reloj para aumentar la presión, o en el sentido contrario para reducirla. Asegúrate de ajustar con los quemadores encendidos
9. Apaga el termostato "OFF" y establece la válvula de combinación de gas a la configuración de piloto.
10. Retira el manómetro y vuelve a colocar el tapón de la tapa de presión.



El propano requiere de un regulador

REVISIÓN Y AJUSTE DE LA CALIBRACIÓN DEL TERMOSTATO

Todos los controles del termostato fueron calibrados cuidadosamente en la fábrica (es decir, el dial está configurado adecuadamente para controlar las temperaturas del aparato con precisión). Sólo un técnico de servicio de electrodomésticos calificado debe realizar el ajuste.

1. Para revisar las temperaturas del aparato, usa un instrumento de prueba de temperatura del tipo de termopar o un termómetro confiable. Coloca el termopar del instrumento de prueba o termómetro en el centro del recipiente de fritura.
2. Gira el dial de control a la configuración de temperatura que requiera la mayor precisión. Espera el tiempo suficiente como para que la temperatura se establezca o hasta que varias lecturas de temperatura sean idénticas.
3. Recalibra si la configuración y la temperatura real difieren en más de 10°F
4. Retira el dial del eje "B" cuida que el eje del dial no rote en ninguna dirección (lo que cambiaría la configuración del dial)
5. Sostén firme el eje "B" del dial y, con un destornillador, gira el tornillo de calibración "A" en el sentido de las manecillas del reloj para reducir la temperatura, o en el contrario para aumentarla.
6. Vuelve a colocar el dial. Deja que la máquina funcione hasta que la temperatura se haya estabilizado antes de que se haga una revisión final para determinar si la calibración se ha corregido o no.
7. Una vez corregida, sella el tornillo de calibración con glyptol.

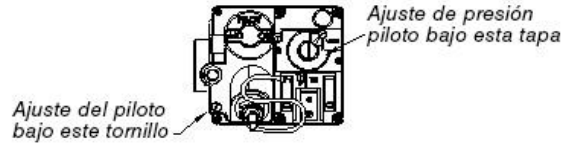


Se sugiere que se use un termómetro digital de vástago largo preciso para calibrar el termostato

REVISIÓN Y AJUSTE DEL PILOTO DE SEGURIDAD

La llama piloto debe rodear la termopila por $\frac{1}{2}$ ". Debe ser lo suficientemente grande y fina como para hacer que la termopila tenga un brillo rojo mate o suficiente como para mantener abierta la válvula de seguridad.

1. Retira la tapa de ajuste del piloto



2. Ajusta la llave del piloto para proporcionar llamas de tamaños adecuados como se muestra en el diagrama B

El diagrama A muestra un ajuste incorrecto del piloto



3. Vuelve a colocar la tapa de ajuste del piloto

Si la llama del piloto se extingue, la termopila detectará la situación y cortará el gas en la válvula automática.

La seguridad de límite alto está establecida por la fábrica a 450°F (232°C). Si la temperatura del aceite llega a este valor, el sensor corta el suministro de gas en la válvula automática – no intentes volver a encender o reiniciar el sistema nuevamente hasta que la temperatura del aceite haya bajado a menos de 350°F (177°C), y posiblemente de pedir que revisen el termostato para garantizar que funciona adecuadamente.

Nota: debido a las variaciones de sitio y herramientas, la temperatura del aceite puede alcanzar los 475°F (246°C) antes de que se cierre el suministro a la válvula de gas.

Este freidor, de mantenerse adecuadamente y operarse de manera correcta, incluyendo su limpieza diaria, brindará años de desempeño confiable y seguro, creando productos de la mayor calidad ya que es construido y diseñado bajo los más altos estándares de calidad de la industria. Lee el manual y consúltalo cuando corresponda, especialmente si se usará un nuevo operador o técnico.