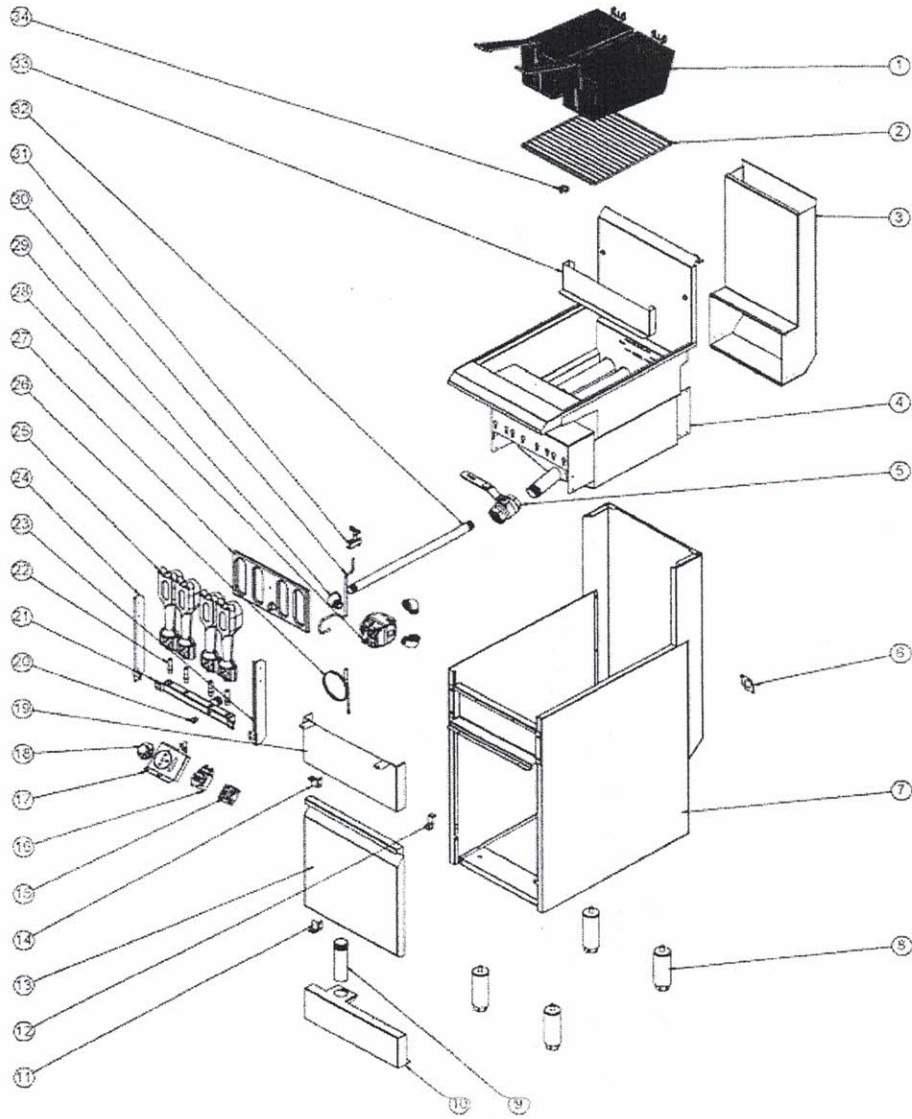




# BAKE SERIES GAS FRYER

## MODELS

BAKEL40  
BAKEL50  
BAKEL70



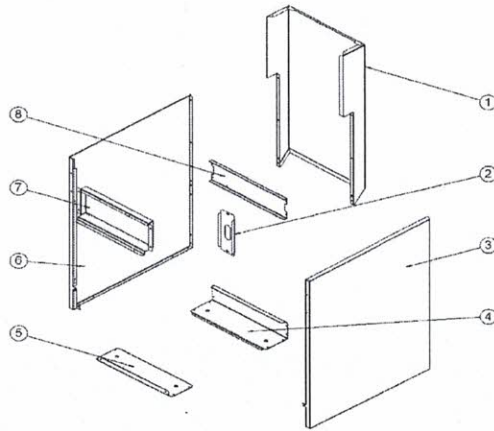
© BakeMax (TVI) 2022  
270 Baig Blvd, Suite A3  
Moncton, NB., E1E1C8

#	DESCRIPTION	COMPANY	MODEL	CODE
1	BASKET SET BLACK	ALL	PFR40G-GB	8.01.53.00091300
			PFR50G-GB	
			PFR75G-GB	8.01.53.00091400
2	FRYER CRUMB GRATE	ALL	PFR40G-GB	8.01.53.00000851
			PFR50G-GB	8.01.53.00000850
			PFR75G-GB	8.01.53.00000849
3	FLUE ASSEMBLY	ALL	PFR40G-GB	8.01.53.00040400
			PFR50G-GB	8.01.53.00038000
			PFR75G-GB	8.01.53.00043100
4	VESSEL ASSEMBLY	ALL	PFR40G-GB	8.01.53.00040500
			PFR50G-GB	8.01.53.00037500
			PFR75G-GB	8.01.53.00043200
5	BALL VALVE 1.1/4"BSP	ALL	ALL	2.80.53.00004240
6	GAS ENTRY TUBE BRACKET	ALL	ALL	8.01.52.00000632
7	FRAME ASSEMBLY	ALL	PFR40G-GB	8.01.53.00038200
			PFR50G-GB	
			PFR75G-GB	8.01.53.00043600
8	LEGS 6"	ALL	ALL	8.01.52.00007600
9	DRAIN EXTENSION TUBE	ALL	ALL	8.07.03.00000012
10	FRONT PANEL BOTTOM	ALL	PFR40G-GB	8.01.53.00000569
			PFR50G-GB	
			PFR75G-GB	8.01.53.00000669
11	LOWER HINGE FOR FRYER PRIME SERIES	ALL	ALL	8.01.53.00037600
12	DOOR MAGNET FOR FRYER	ALL	ALL	8.01.53.00037800
13	DOOR ASSEMBLY	ALL	PFR40G-GB	8.01.53.00038100
			PFR50G-GB	
			PFR75G-GB	8.01.53.00043500
14	TOP HINGE FOR FRYER PRIME SERIES	ALL	ALL	8.01.53.00037700
15	THERMOSTAT SAFETY FOR FRYERS (TEMP LIMIT 232°C/450°F)	ALL	ALL	2.80.49.00000238
16	THERMOSTAT CONTRO TEMPERATURE - RX-2-36L	ALL	ALL	2.80.49.00000236
17	THERMOSTAT BRACKET	ALL	PFR40G-GB	8.01.53.00000636
			PFR50G-GB	8.01.53.00000565
			PFR75G-GB	8.01.53.00000661
18	KNOBS FOR FRYERS SCALE C° E F°	ALL	ALL	2.80.28.95116010
19	FRONT PANEL BOTTOM	ALL	PFR40G-GB	8.01.53.00000596
			PFR50G-GB	
			PFR75G-GB	8.01.53.00000691
20	HEAD PLUG	ALL	ALL	8.01.52.00009266
21	GAS DISTRIBUTION TUBE ASSEMBLY	ALL	PFR40G-GB	8.01.53.00040600
			PFR50G-GB	8.01.53.00037900
			PFR75G-GB	8.01.53.00042800
22	ORIFICE LP #53 (1,613mm)	ALL	ALL	8.01.52.09862253
	ORIFICE GN #38 (2,578mm)			8.01.52.09862252
23	RIGHT SIDE BRACKET	ALL	ALL	8.01.53.00000566
24	LEFT SIDE BRACKET	ALL	ALL	8.01.53.00000567
25	BURNER FOR PRIME SERIES FRYERS (BOLT STYLE)	ALL	ALL	8.01.53.00000640
26	THERMOPILES BATTERY FOR VALVES	ALL	ALL	2.80.11.00021424
27	VESSEL FRONT PROTECTOR ASSEMBLY	ALL	PFR40G-GB	8.01.53.00034400
			PFR50G-GB	8.01.53.00034500
			PFR75G-GB	8.01.53.00043400
28	LP GAS VALVE - 7000BMVR-LP	ALL	ALL	2.80.53.00012458
29	MALE/FEMALE 90 DEGREE ELBOW	ALL	ALL	2.80.12.00003426
			PFR40G-GB	8.01.53.00000637

30	GAS INJECTION PILOT TUBE	ALL	PFR50G-GB	8.01.53.00000638
			PFR75G-GB	8.01.53.00000639
31	PILOT	ALL	ALL	4.01.01.00066705
32	GAS ENTRY TUBE	ALL	ALL	8.01.53.00000572
33	BASKET SUPPORT FRYERS	ALL	PFR40G-GB	8.01.53.00000570
			PFR50G-GB	
			PFR75G-GB	8.01.53.00000662
34	BULBS SUPPORT BRACKET	ALL	ALL	8.01.52.00000531
--	PILOT ORIFICE (SPUD ORIFICE (4N) RED)	ALL	ALL	4.13.01.00073371
	PILOT ORIFICE (SPUD ORIFICE (10LP) RED)	ALL	ALL	4.13.01.00073370
	NATURAL GAS VALVE - 7000BMVR	ALL	ALL	2.80.53.00011404
	LP GAS VALVE - 7000BMVR-LP	ALL	ALL	2.80.53.00012458
	VALVE CLEARING HOOK	ALL	ALL	8.07.03.19000028
	ELECTRICAL WHIP - FRYER PRIME SERIES	ALL	ALL	8.01.53.00087400
	CASTER 6"	ALL	ALL	8.01.52.00086700

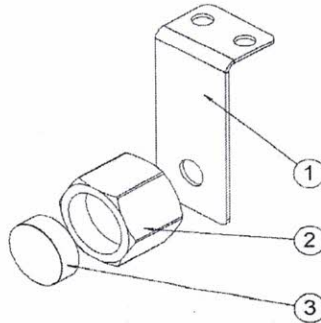
Fryer Gas Cabinet - (Prime Series)  
40 lb – 50 lb – 75 lb

**FRAME ASSEMBLY – Number 7**



#	DESCRIPTION	COMPANY	MODEL	CODE
1	REAR FRAME PROTECTOR	ALL	PFR40G-GB	8.01.53.00000558
			PFR50G-GB	
			PFR75G-GB	8.01.53.00000681
2	GAS ENTRY TUBE SUPPORT	ALL	ALL	8.01.53.00000559
3	RIGHT SIDE PANEL	ALL	ALL	8.01.53.00000553
4	REAR BASE	ALL	PFR40G-GB	8.01.53.00000557
			PFR50G-GB	
			PFR75G-GB	8.01.53.00000686
5	FRONT BASE	ALL	PFR40G-GB	8.01.53.00000556
			PFR50G-GB	
			PFR75G-GB	8.01.53.00000682
6	LEFT SIDE PANEL	ALL	ALL	8.01.53.00000554
7	FRONT BOX	ALL	PFR40G-GB	8.01.53.00000555
			PFR50G-GB	
			PFR75G-GB	8.01.53.00000683
8	INTERNAL STRUCTURE BRACKET	ALL	PFR40G-GB	8.01.53.00000560
			PFR50G-GB	
			PFR75G-GB	8.01.53.00000684

**DOOR MAGNET FOR FRYER – Number 12**

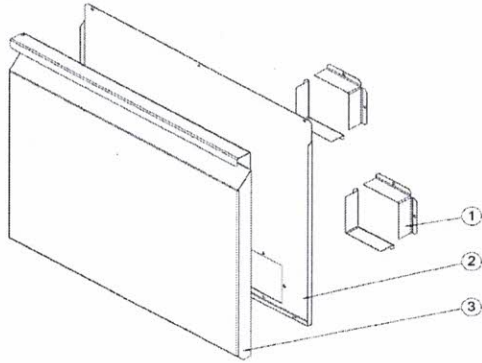


#	DESCRIPTION	COMPANY	MODEL	CODE
1	SUPPORT BRACKET	ALL	ALL	8.01.53.00000545
2	SUPPORT	ALL	ALL	8.27.05.00009267
3	MAGNET	ALL	ALL	4.07.03.00009935

Fryer Gas Cabinet - (Prime Series)  
40 lb – 50 lb – 75 lb

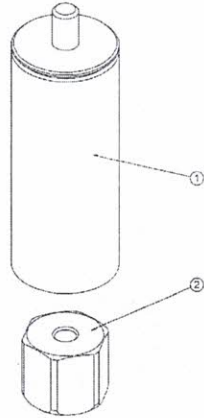


**DOOR ASSEMBLY – Number 13**



#	DESCRIPTION	COMPANY	MODEL	CODE
1	GALVANIZED INTERNAL CLOSURE	ALL	PFR75G-GB	8.01.53.00000679
2	INTERNAL DOOR PANEL	ALL	PFR40G-GB	8.01.53.00000552
			PFR50G-GB	8.01.53.00000678
			PFR75G-GB	8.01.53.00000678
3	EXTERNAL DOOR PANEL	ALL	PFR40G-GB	8.01.53.00000885
			PFR50G-GB	8.01.53.00000885
			PFR75G-GB	8.01.53.00000680

**LEGS 6" – Number 8**



#	DESCRIPTION	COMPANY	MODEL	CODE
1	6" LEG	ALL	ALL	8.01.52.00007700
2	6" LEG ADJUSTER	ALL	ALL	8.01.52.00000023

**Fryer Gas Cabinet - (Prime Series)**  
40 lb – 50 lb – 75 lb