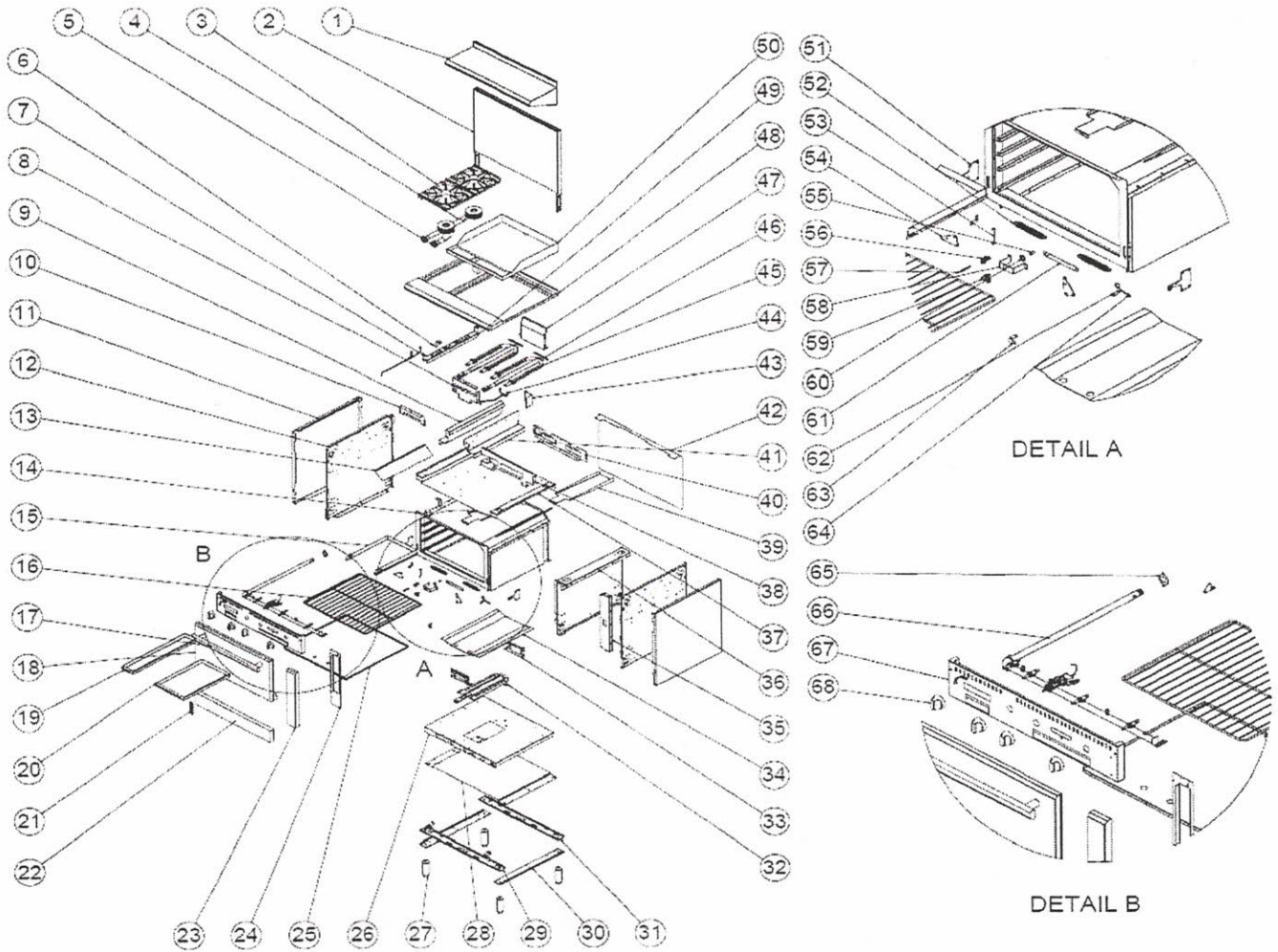




BAS36-12 – 2 Burner Gas Range w/ 24” Manual Griddle

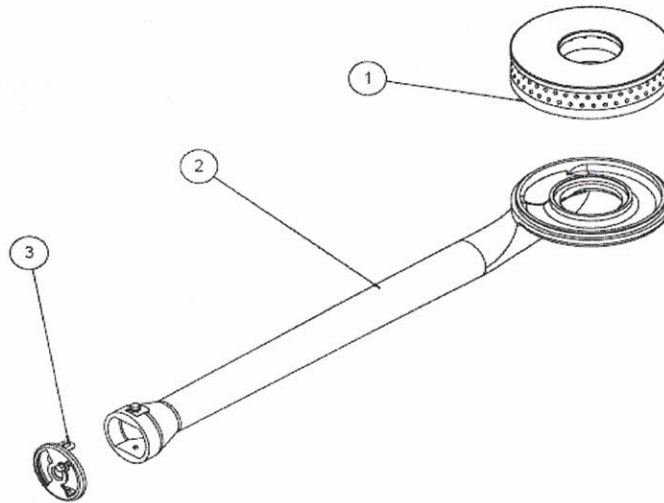


© BakeMax (TVI) 2022
270 Baig Blvd, Suite A3
Moncton, NB., E1E1C8

#	DESCRIPTION	COMPANY	MODEL	CODE
1	SHELVE 36"	ALL	PRM36G-ST	8.01.53.00000345
2	BACK GUARD ASSEMBLY 36"	ALL	PRM36G-ST	8.01.53.00028100
3	TOP GRATE FOR RANGES	ALL	PRM36G-ST	8.01.25.00000110
4	BACK BURNER ASSEMBLY FOR RESTAURANT RANGES	ALL	PRM36G-ST	8.01.52.00061200
5	FRONT BURNER ASSEMBLY FOR RESTAURANT RANGES	ALL	PRM36G-ST	8.01.52.00061100
6	LARGER BURNER SUPPORT	ALL	PRM36G-ST	8.01.53.00000007
7	PILOT TUBE ASSEMBLY RESTAURANT/PRIME	ALL	PRM36G-ST	8.01.52.00014500
8	INTERNAL BACK	ALL	PRM36G-ST	8.01.53.00000010
9	CENTRAL LEFT CLOSURE	ALL	PRM36G-ST	8.01.53.00000412
10	INTERNAL FRONT	ALL	PRM36G-ST	8.01.53.00000011
11	EXTERNAL SIDE	ALL	PRM36G-ST	8.01.53.00000360
12	SIDE DEFLECTOR	ALL	PRM36G-ST	8.01.53.00000008
13	BOTTOM / SIDE	ALL	PRM36G-ST	8.01.53.00000361
14	OVEN ASSEMBLY	ALL	PRM36G-ST	8.01.53.00028700
15	TRAY GUIDE	ALL	PRM36G-ST	8.01.53.00000148
16	OVEN GRATE	ALL	PRM36G-ST	4.01.53.00000002
17	DOOR ASSEMBLY	ALL	PRM36G-ST	8.01.53.00027700
18	36" OVEN DOOR HANDLE ASSEMBLY	ALL	PRM36G-ST	8.01.53.00028600
19	STOVE 12"GREASE TRAY	ALL	PRM36G-ST	8.01.53.00000444
20	MANUAL GRIDDLE 24"GREASE TRAY	ALL	PRM36G-ST	8.01.53.00000426
21	VENANCIO LOGO	ALL	PRM36G-ST	2.90.02.00012033
22	MOVING PANEL ASSEMBLY	ALL	PRM36G-ST	8.01.53.00027900
23	SIDE PANEL	ALL	PRM36G-ST	8.01.53.00000368
24	SIDE FRAME	ALL	PRM36G-ST	8.01.53.00000692
25	OVEN INTERNAL BOTTOM	ALL	PRM36G-ST	8.01.53.00000348
26	BURNER BOTTOM BASE	ALL	PRM36G-ST	8.01.53.00000355
27	LEGS 6"	ALL	PRM36G-ST	8.01.52.00007600
28	BOTTOM CENTRAL BASE	ALL	PRM36G-ST	8.01.53.00000354
29	FRONT BOTTOM SUPPORT ASSEMBLY	ALL	PRM36G-ST	8.01.53.00027600
30	PRODUCT SIDE BASE	ALL	PRM36G-ST	8.01.53.00000347
31	PRODUCT BASE	ALL	PRM36G-ST	8.01.53.00000346
32	BURNER ASSEMBLY FOR OVEN R/G	ALL	PRM36G-ST	8.01.52.00099100
33	DEFLECTOR BRACKET	ALL	PRM36G-ST	8.01.53.00000349
34	OVEN BURNER DEFLECTOR	ALL	PRM36G-ST	8.01.53.00000353
35	ISOLATION ASSEMBLY	ALL	PRM36G-ST	8.01.53.00028000
36	SIDE BASE	ALL	PRM36G-ST	8.01.53.00000350
37	INTERNAL FRONT	ALL	PRM36G-ST	8.01.53.00000411
38	STOVE BOTTOM	ALL	PRM36G-ST	8.01.53.00000359
39	MANUAL GRIDDLE BURNER DEFLECTOR	ALL	PRM36G-ST	8.01.53.00000427
40	INTERNAL BACK	ALL	PRM36G-ST	8.01.53.00000410
41	CENTRAL RIGHT CLOSURE	ALL	PRM36G-ST	8.01.53.00000413
42	EXTERNAL BACK	ALL	PRM36G-ST	8.01.53.00000367
43	VALVE PROTECTION	ALL	PRM36G-ST	8.01.53.00000425
44	MANUAL GRIDDLE PILOT ASSEMBLY	ALL	PRM36G-ST	8.01.52.00072500
45	MANUAL GRIDDLE BURNER ASSEMBLY	ALL	PRM36G-ST	8.01.53.00030600
46	BURNER TOP DEFLECTOR	ALL	PRM36G-ST	8.01.53.00000151
47	OVEN CHIMNEY ASSEMBLY	ALL	PRM36G-ST	8.01.53.00027800
48	TOP FRAME ASSEMBLY	ALL	PRM36G-ST	8.01.53.00031800
49	BURNER SUPPORT	ALL	PRM36G-ST	8.01.53.00000005
50	MANUAL GRIDDLE ASSEMBLY	ALL	PRM36G-ST	8.01.53.00030400
51	DOOR SUPPORT	ALL	PRM36G-ST	8.01.53.00000362
52	SPRING 3,8 X 24 X 175	ALL	PRM36G-ST	4.02.05.38241750
53	LEFT SPRING HOOK	ALL	PRM36G-ST	4.02.05.00012857
54	SPRING ACTIVATOR	ALL	PRM36G-ST	8.01.38.00070002
55	ORIFICE GN #33 (2,85mm)	ALL	PRM36G-ST	8.27.05.04826285

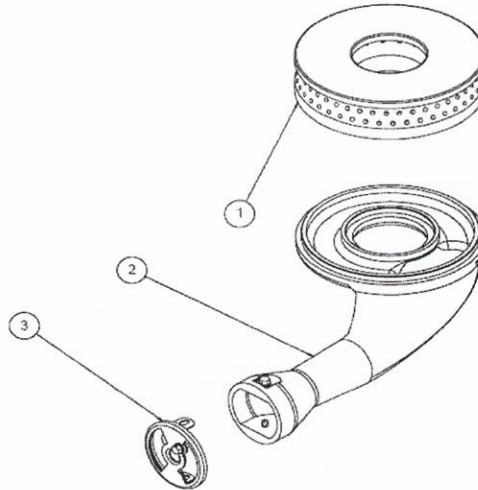
56	ORIFICE LP #51 (1,70mm)	ALL	PRM36G-ST	8.27.05.04826170
56	PILOT 2CH-1-PILOT 18N 3/16"	ALL	PRM36G-ST	3.97.01.00000502
57	VALVE THERMOCOUPLE	ALL	PRM36G-ST	8.97.01.00000027
58	OVEN ORIFICE SUPPORT	ALL	PRM36G-ST	8.01.25.00000113
59	ELBOW 9/16" UNEF X 3/4" X 3/8" 27 F/P	ALL	PRM36G-ST	2.80.12.00009045
60	NUT 1" x 8MM x 3/4" UNF	ALL	PRM36G-ST	8.02.06.00004550
61	OVEN SPRING EXTENDER 36"	ALL	PRM36G-ST	8.01.53.00000369
62	FLEX TUBING PROTECTION	ALL	PRM36G-ST	8.01.53.00000396
63	MOVING PANEL BRACKET	ALL	PRM36G-ST	8.01.53.00000363
64	RIGHT SPRING HOOK	ALL	PRM36G-ST	4.02.05.00012858
65	GAS TUBE BACK BRACKET	ALL	PRM36G-ST	8.01.52.00000632
66	DISTRIBUTION TUBE ASSEMBLY	ALL	PRM36G-ST	8.01.53.00031900
67	PANEL	ALL	PRM36G-ST	8.01.53.00000443
68	KNOBS PRIME SERIES VENANCIO	ALL	PRM36G-ST	8.01.53.00001900
--	POLYCARBONATE SCALE °F PRIME SERIES	ALL	ALL	2.90.03.00000138

BACK BURNER ASSEMBLY FOR RESTAURANT RANGES – Number 4



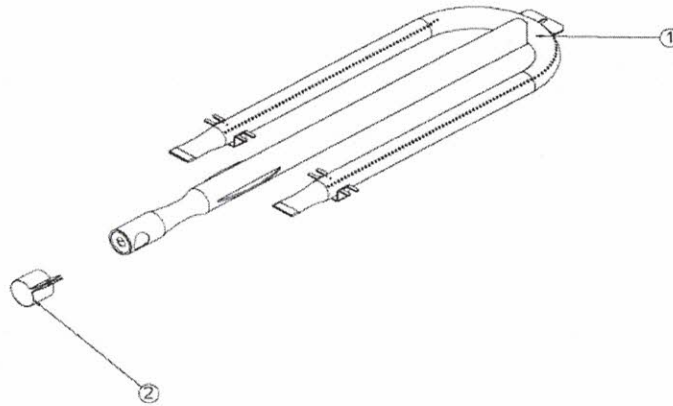
#	DESCRIPTION	COMPANY	MODEL	CODE
1	TOP BURNER	ALL	ALL	8.01.52.00000693
2	BURNER BASE	ALL	ALL	8.01.52.00000130
3	AIR REGULATOR	ALL	ALL	8.01.52.00007500

FRONT BURNER ASSEMBLY FOR RESTAURANT RANGES – Number 5



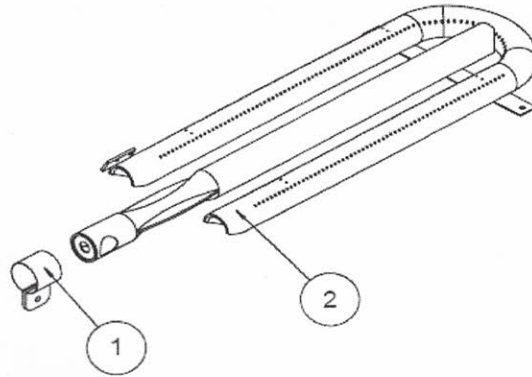
#	DESCRIPTION	COMPANY	MODEL	CODE
1	TOP BURNER	ALL	ALL	8.01.52.00000693
2	BURNER BASE	ALL	ALL	8.01.52.00000131
3	AIR REGULATOR	ALL	ALL	8.01.52.00007500

BURNER ASSEMBLY – Number 45



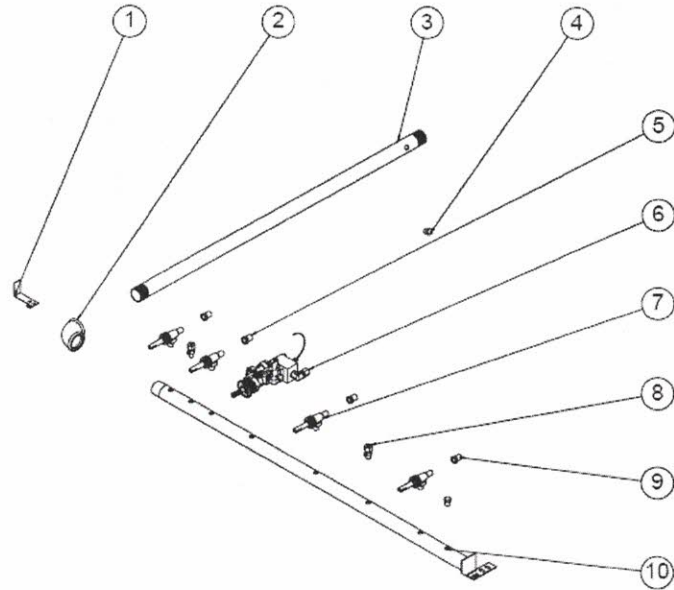
#	DESCRIPTION	COMPANY	MODEL	CODE
1	BURNER PCM	ALL	ALL	8.01.53.00009600
2	AIR REGULATOR	ALL	ALL	8.01.27.00000020

BURNER ASSEMBLY FOR OVEN R/G – Number 32



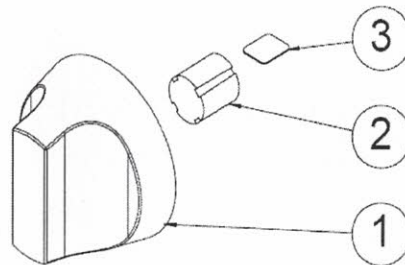
#	DESCRIPTION	COMPANY	MODEL	CODE
1	AIR REGULATOR	ALL	ALL	8.01.52.00062500
2	BURNER OVEN	ALL	ALL	8.01.27.00000020

GAS DISTRIBUTION TUBE ASSEMBLY – Number 66



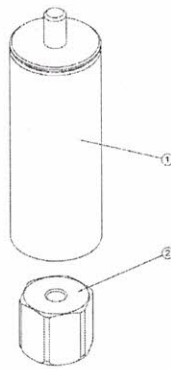
#	DESCRIPTION	COMPANY	MODEL	CODE
1	GAS ENTRY TUBE BRACKET	ALL	ALL	8.01.53.00000152
2	3/4" MCD 90 DEGREE FEMALE ELBOW	ALL	ALL	2.80.12.00003425
3	STOVE GAS ENTRY TUBE	ALL	ALL	8.01.52.00000144
4	1/4" NPT HEAD PLUG	ALL	ALL	8.27.05.00009794
5	ORIFICE GN #40 (2,49mm)	ALL	ALL	8.27.05.04826249
	ORIFICE LP #53 (1,51mm)			8.27.05.04826151
6	ABJC REV C FDB/PRIME GAS SAFETY VALVE	ALL	ALL	8.97.01.00057579
---	ABJC GAS SECURITY GAS FDB/PRIME AND B1H2 THERMOCOUPLE 1500MM	ALL	ALL	8.01.53.00100680
7	A18-318 GAS SAFETY VALVE	ALL	ALL	3.97.01.00000500
8	CUTTING PILOT VALVE (GAS FLAME REG)	ALL	ALL	3.97.01.00000501
9	ORIFICE GN #40 (2,49mm)	ALL	ALL	8.27.05.04826218
	ORIFICE LP #53 (1,51mm)			8.27.05.04826140
10	DISTRIBUTION TUBE	ALL	ALL	8.01.53.00032000

KNOB ASSEMBLY – Number 68



#	DESCRIPTION	COMPANY	MODEL	CODE
1	ALUMINIUM KNOB PRIME	ALL	ALL	8.06.18.00000500
2	NYLON BUSHING	ALL	ALL	2.80.05.00000001
3	KNOB LOCK	ALL	ALL	8.01.25.00000064

LEGS 6" – Number 27



#	DESCRIPTION	COMPANY	MODEL	CODE
1	6" LEG	ALL	ALL	8.01.52.00007700
2	6" LEG ADJUSTER	ALL	ALL	8.01.52.00000023