

### BakeMax BMCBF Titan Series Heated Display Cases

Increase impulse sales with a BakeMax BMCBF Titan Series Heated Display Case. Ideal for convenience stores, concession stands, kiosks, and snack stations, display your food while keeping them at food safe temperatures.

#### Features:

- Stainless Steel Construction
- 3 Adjustable Chrome Plate Shelves
- Removable Water Tray to Add Humidity
- Manual Temperature Control from 85-190°F
- External Temperature Display
- Internal Top Light
- Front Top Light Box with Customizable Decal
- Available in 18" Wide (BMCBF18) & 25" Wide (BMCBF25)
- Plug & Go Nema 5-15P Plug
- 1-Year Limited Warranty



Model BMCBF25



Manual  
Temperature  
Control



Water Pan



Temperature Display






Model BMCBF18

\*\* Due to continuous product improvement, specifications are subject to change without notice.

**BakeMax<sup>®</sup> / Titan Ventures International Inc.**

#### Warehouses:

20 Caribou St, Moncton, NB E1H 0P3   
 5705 Valley Belt Rd Independence, OH 44131   
 1201 E 27th Terrace Pittsburg, KS 66762 

Toll Free: 1-800-565-BAKE (2253)

Phone: 506-858-8990

Fax: 506- 859-6929

Email: Sales@BakeMax.com

Project: \_\_\_\_\_

Item: \_\_\_\_\_

Qty: \_\_\_\_\_ Date: \_\_\_\_\_

### BakeMax BMCBF Titan Series Heated Display Cases

#### Technical Specifications:

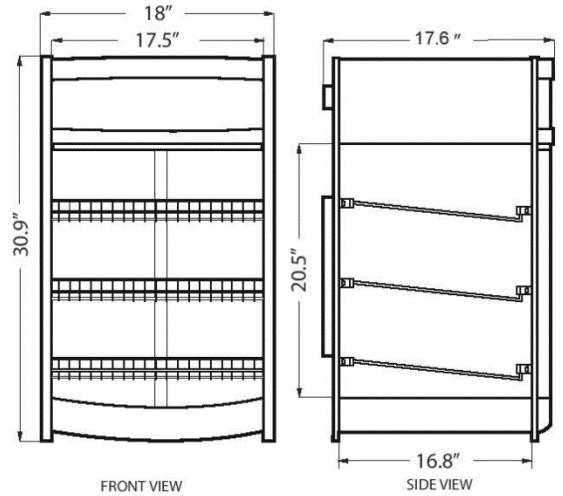
##### Model BMCBF18

- Exterior Dimensions (WDH) 18" x 17.8" x 30.9"
- Shelf Size: 15.4" W x 13.3" D
- Net Weight 48.5 lbs. / 22 kg
- 120v / 7.2 Amps / 786W / 60Hz / 1Ph
- Nema 5-15P Plug

##### Model BMCBF25

- Exterior Dimensions (WDH) 25.5" x 19" x 30.9"
- Shelf Size: 22.6" W x 13.3" D
- Net Weight 59.5 lbs. / 27 kg
- 120v / 9.5 Amps / 1050 W / 60Hz / 1Ph
- Nema 5-15P Plug

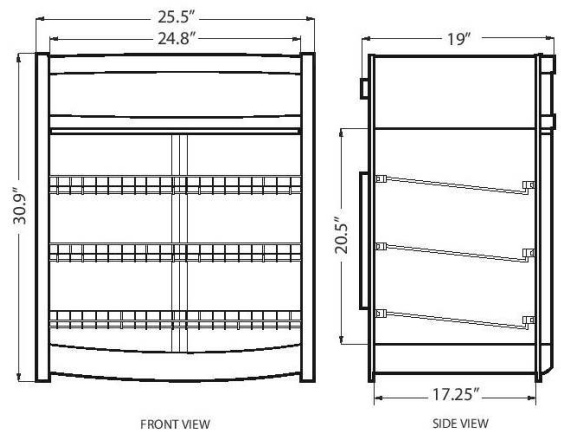
#### Model BMCBF18



FRONT VIEW

SIDE VIEW

#### Model BMCBF25



FRONT VIEW

SIDE VIEW

#### Shipping Specifications:

##### Model BMCBF18

- Packaged Dimensions (WDH) 21" x 21.1" x 32.8"
- Packaged Weight 51 lbs. / 22.9 kg

##### Model BMCBF25

- Packaged Dimensions (WDH) 28.3" x 21.1" x 32.8"
- Packaged Weight 62 lbs. / 27.9 kg






Model BMCBF18



Model BMCBF25

BakeMax<sup>®</sup> / Titan Ventures International Inc.

#### Warehouses:

20 Caribou St, Moncton, NB E1H 0P3   
 5705 Valley Belt Rd Independence, OH 44131   
 1201 E 27th Terrace Pittsburg, KS 66762 

Toll Free: 1-800-565-BAKE (2253)

Phone: 506-858-8990

Fax: 506- 859-6929

Email: Sales@BakeMax.com