

REV	DATE	BY	DESCRIPTION	ECO #							
C	12-8-2021	MAS	REMOVE (I) 71012, ADD (I) 10550, (I) 11431, (I) 10963, (I) 10664, (I) 11434								
9	62	10914	SPACER .140 X .250 X .125 NYLON								
1	61	10916	DECAL, 4.3" COLOR LCD DISPLAY								
REF	60*	10917	CABLE, CAT5E ETHERNET FLAT, 1 FT								
1	59*	10957	WIRE KIT DM-18 120V 4.3" COLOR LCD								
1	58	10963	DECAL, QR CODE DXP	1 29 6001027 DMI8 ENCLOSURE 4.3" COLOR LCD							
1	57*	11092	MANUAL DM-18 4.3" LCD	1 28 6100101 DM-18 MAIN ARM WELDMENT							
1	56*	11431	DECAL, DOUGHXPRESS DOMED 3 X 1	2 27 6101013 DM 18 HANDLE OUTER							
1	55	11434	DECAL, FOR SERVICE 2 X .5	1 26 6101014 DM 18 HANDLE CENTER							
2	54	12229	WASHER FLT .500x1.250x.078 ZPS	1 25 6105005 HT400 PRESSURE ADJ ROD							
12	53	12378	WASHER SPG STL .375x.750x.028	2 24 6105034 LINK ASSEMBLY WHITE							
2	52	13103	SCREW MCH 4-40x0.750 RHSL	REF 23 62731 RELAY SS 25A 3-32VDC INPUT							
1	51	13250	CORD GRIP HEYCO 1557 RDD201	2 22 63746 SCREW SET 3/8-16x1.750							
2	50	14621	NUT 6-32 ZPS	16 21 64203 WASHER FLT .515x0.875x.032 SS							
1	49	14910	DECAL HOT SURFACE SYMBOL	2 20 68594 NUT 5/16-18 NYLON INSERT ZPS							
2	48	15297	SCREW MCH 6-32x0.500 PHPH	4 19 69949 WASHER FLT .343x0.750x.050 SS							
3	47	15834	SPRING HIX #105	1 18 70268 DECAL HIX I.D. 3" X 3" SILVER							
2	46	16683	WASHER FLT .375x0.875x.078 ZPS	9 17 70861 NUT 6-32 NYLON INSERT ZPS							
2	45	20214	NUT PUSH 1/2 PW500015 EZ	2 16 71011 M-DECAL DOUGHXPRESS							
16	44	21482	SCREW TAP 8x0.500 PHPH	REF 15 72223 TERM BD 60I-2-KT37, 38,39							
1	43	25143	KNOB PHENOLIC 1/2-20 4 ARM	REF 14 74609 CORDSET 120v 16/3 SJOW 5-15P							
2	75	10909	SCREW MCH M3-0.5X3 PHP ZPS	3 42 25151 NUT 1/2-20 JAM							
1	74	0100001	M-HT400 ADJUSTMENT BLOCK	2 41 25434 SCREW SET 5/16-18x3.000							
REF	73	0101010	M-400/600/DM MOUNTING BOARD	4 40 28010 BUMPON BLACK .81"x.30"							
1	72	10347	CIRCUIT BKR 1-POLE PTR 15A ST	REF 39 31823 SWITCH MICRO SMALL SEMI-HOOK							
2	71	10502	400/600 ROCKER LINK	1 38 33605 DECAL, UNPLUG MACHINE							
1	70	10550	DECAL THICK THIN	2 37 35408 BUMPER 1/8X1/2 SQ BLK RUBBER							
1	69	10664	DECAL MADE IN USA	1 36 3801119 DMI8 PRESSURE ADJ SLEEVE BOT							
6	68	10793	BOLT 5/16-18x1.750	1 35 3801120 DMI8 PRESSURE ADJ SLEEVE TOP							
8	67	10823	RETAINING RING EXT 0.500 E SS	1 34 47452 FTG LTIGHT CONDUIT 3/8 90 DEG							
2	66	10850	BOLT 3/8-16 X 1.000	2 33 50181 SCREW TAP 1/4-20x0.500 WHHX							
REF	65	10903	POWER SUPPLY 15W 5VDC 3A	2 32 59886 SCREW TAP 10-32x0.500 WHHX							
1	64	10910	I/O BOARD ANTRONICS	1 31 6000140 DM-18 HANDLE WELDMENT							
1	63	10911	CONTROL DISPLAY BD 4.3" COLOR	1 30 6001006W BACK COVER DMI8 WHITE							
QTY	ITEM	PART #	TITLE	QTY	ITEM	PART #	TITLE	QTY	ITEM	PART #	TITLE

NOTES:

- REFER TO WIRING DIAGRAM 8616008.
- SOME COMPONENTS NOT SHOWN FOR CLARITY.
- REFERENCE MODEL 8610520.

11063 DM-18 120V
4.3 INCH COLOR LCD

HIX Corporation

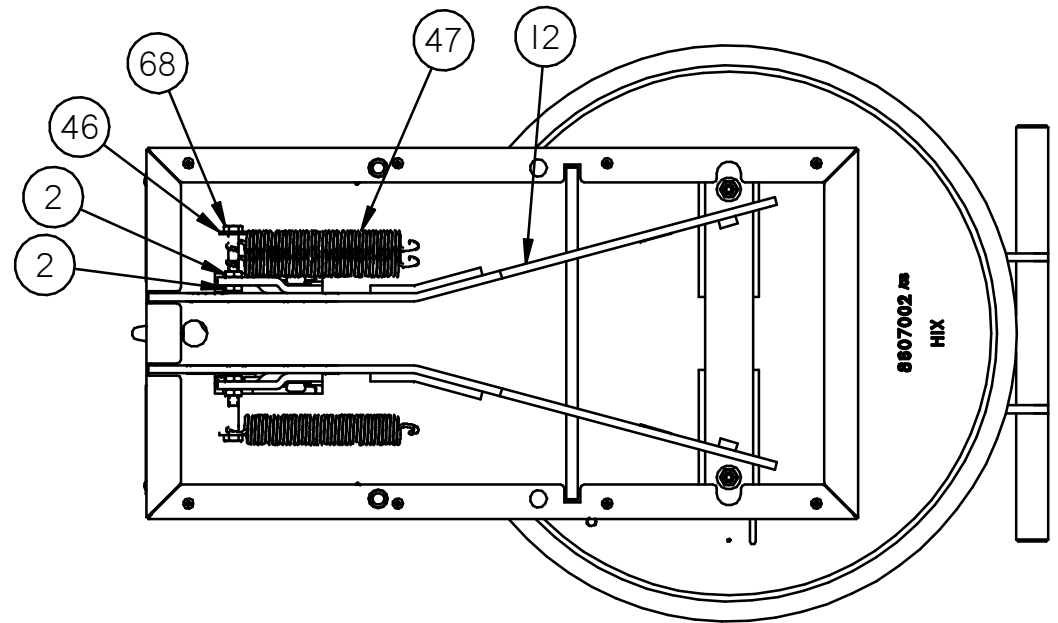
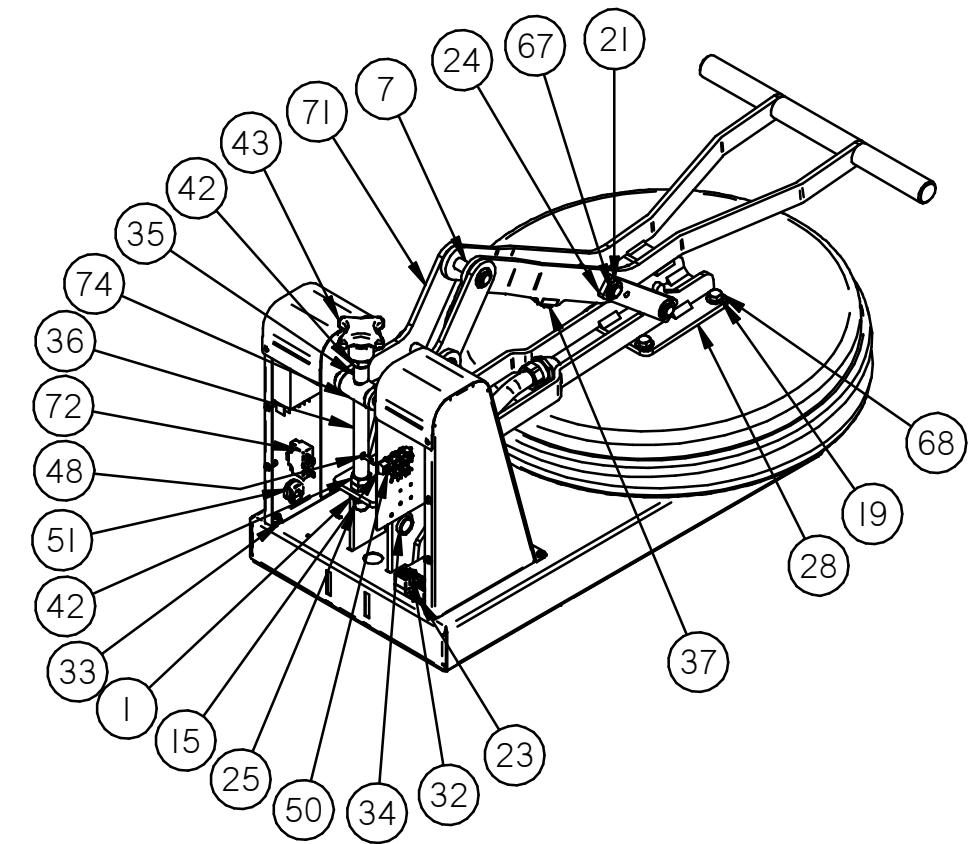
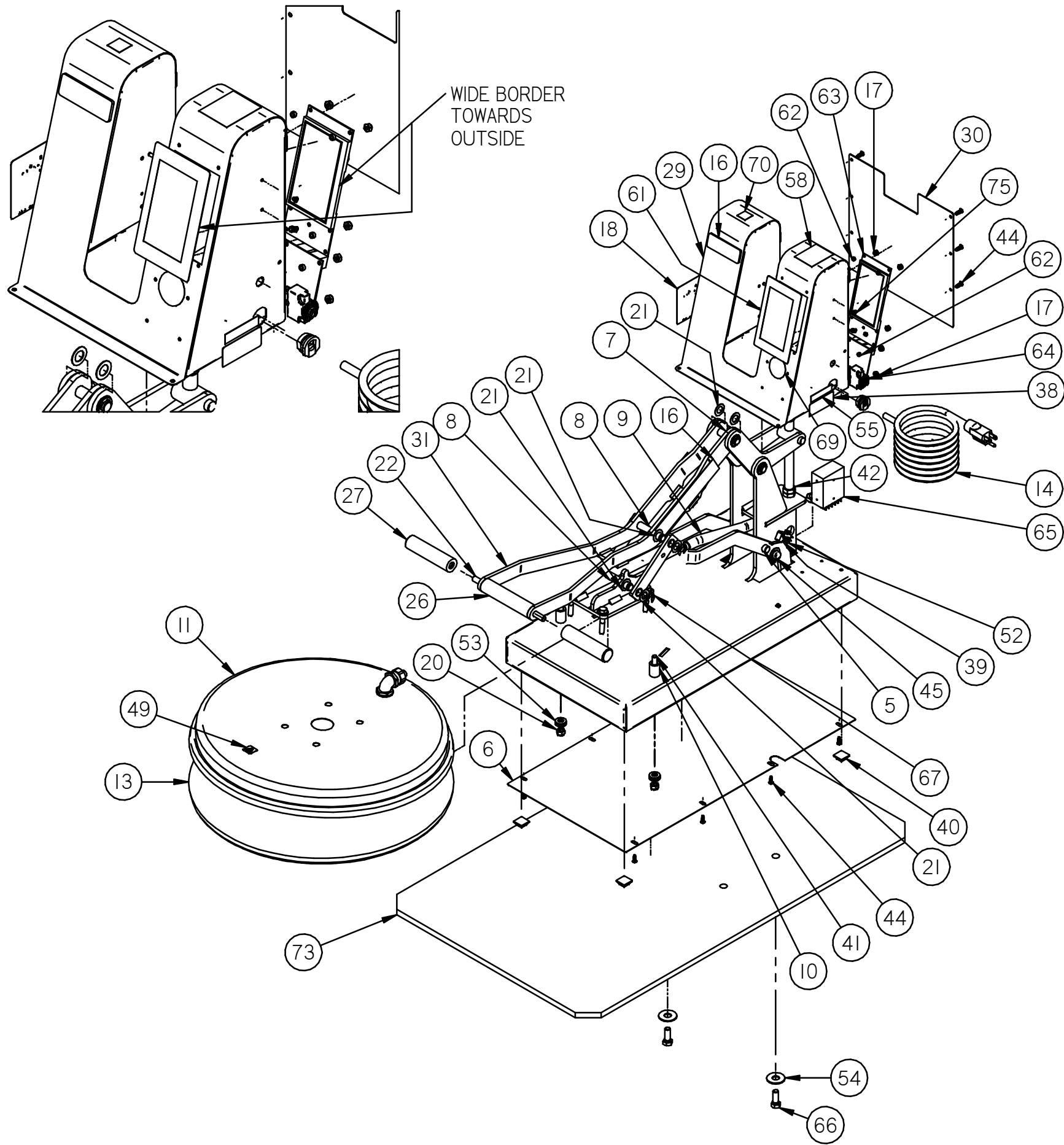
1201 E 27th Terrace, Pittsburg, KS 66762
 Phone (620) 231-8568 Fax (620) 231-1598
 Email: mail@hixcorp.com www.hixcorp.com
 This document and the information contained herein is the sole property of HIX Corporation.
 It will be held confidentially and may not be disclosed to third parties for any reason without
 prior written consent of HIX Corporation (Copyright 2005)

Tolerance Unless Noted
 0 +/- .060
 .00 +/- .030
 .000 +/- .010
 FRACTION +/- 1/32
 ANGLES +/- 1 DEGREE

Drawn
mschultz
Checked
Date
8/15/2019
Date

TITLE ASSY., DM-18 120V 4.3" COLOR LCD	
DWG NO 8610520	REV C
Project DM-18 4.3"	
SIZE B	SHEET 1 OF 2

DO NOT SCALE



11063 DM-18 120V 4.3 INCH COLOR LCD	HIX Corporation		TITLE ASSY., DM-18 120V 4.3" COLOR LCD	
	1201 E 27th Terrace, Pittsburg, KS 66762 Phone (620) 231-8568 Fax (620) 231-1598 Email: mail@hixcorp.com www.hixcorp.com		DWG NO 8610520	REV C
	Tolerance Unless Noted 0 +/- .060 .00 +/- .030 .000 +/- .010 FRACTION +/- 1/32 ANGLES +/- 1 DEGREE		Drawn mschultz Checked	Date 8/15/2019 Date
	This document and the information contained herein is the sole property of HIX Corporation. It will be held confidentially and may not be disclosed to third parties for any reason without prior written consent of HIX Corporation (Copyright 2005)		Project DM-18 4.3"	
DO NOT SCALE			SIZE B	SHEET 2 OF 2