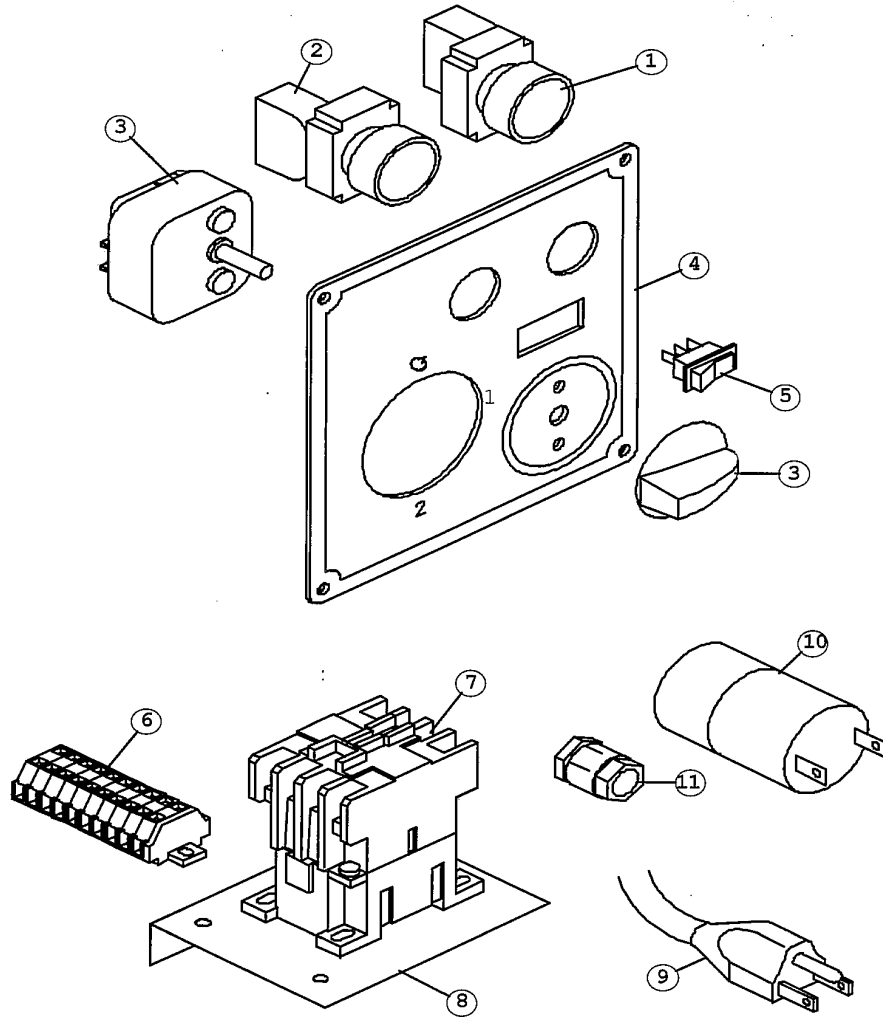


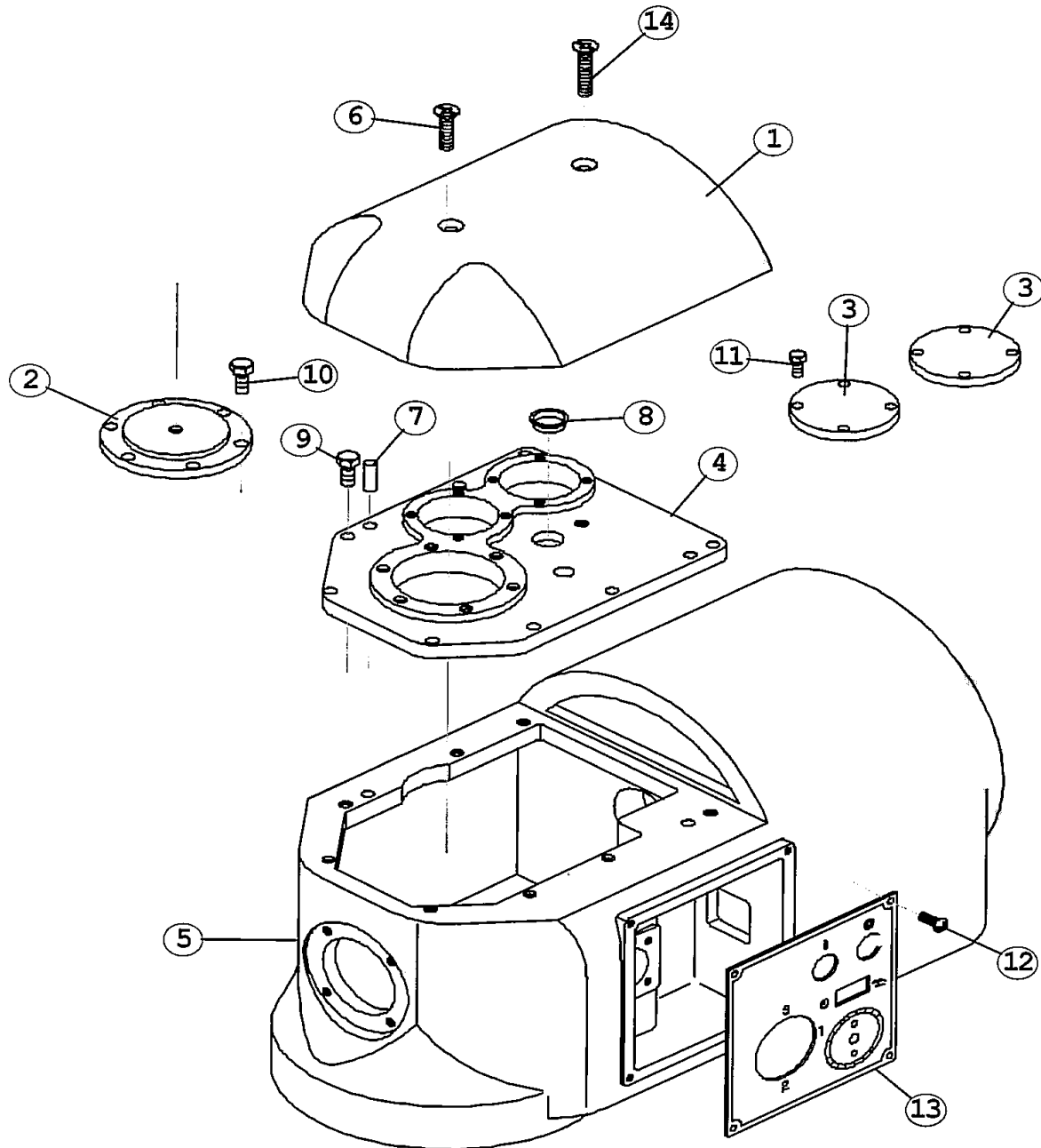
BakeMax BMPM040 Parts Breakdown

Diagram 1 – PM040/01/0##



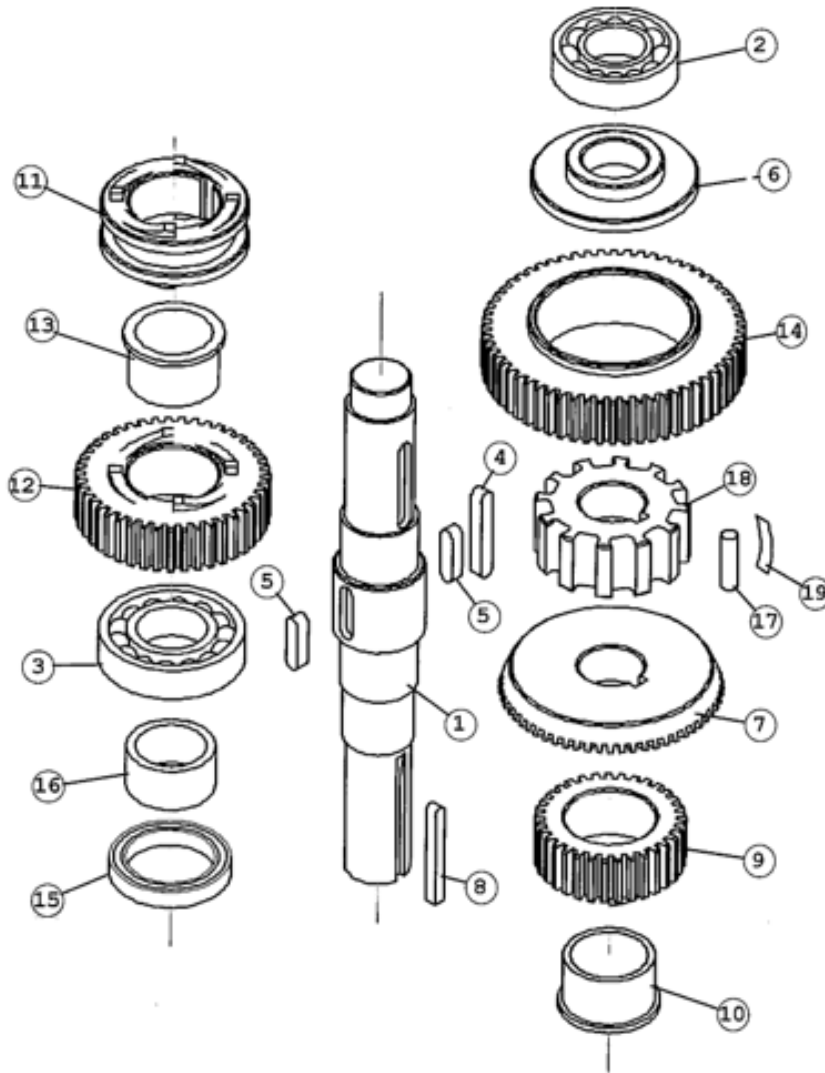
#	Description or Name	Supplier Part No.	Qty
1	Button Switch	TE XB2 ES542	1
2	Button Switch	TE XB7 EA31	1
3	Timer	TM6115C	1
4	Control Panel	11032-07-013	1
5	On-Off Switch		1
6	Terminal Block	WAGO 261-.301	1
7	Contactor	CU16 220V	1
8	Seat of Contactor	11031-09-009	1
9	Plug & Cable	CABLE-14-3C-CE	1
10	Capacitor	CP-200UF	1
11	Collar	CG-20	1

Diagram 2 – PM040/02/0##



#	Description	Supplier Part #	Qty
1	Upper Lid	11032-01-001	1
2	Planetary Bearing Retainer	11032-01-002	1
3	Bearing Retainer	11032-01-003	2
4	Gear Housing Cover	11032-01-004	1
5	Transmission Case	11032-01-005	1
6	Mach Screw 1/4" * 1-1/2	S+R1/4* 1-1/2	1
7	Spring Pin 8*25	SPP-8*25	2
8	Grease Cover	11012-04-008	1
9	Bolt 5/16" * 1	S-5/16*1	8
10	Bolt 5/16" * 3/4	S-5/16*3/4	6
11	Bolt 1/4" * 5/8"	S-1/4*5/8	8
12	Mach Screw 3/16" * 3/8"	S+R3/16*3/8	4
13	Control panel	11032-07-013	1
13	Control panel A	11032-07-013A	1
14	Mach Screw 1/4" * 2-1/2	S+R1/4*2-1/2	1

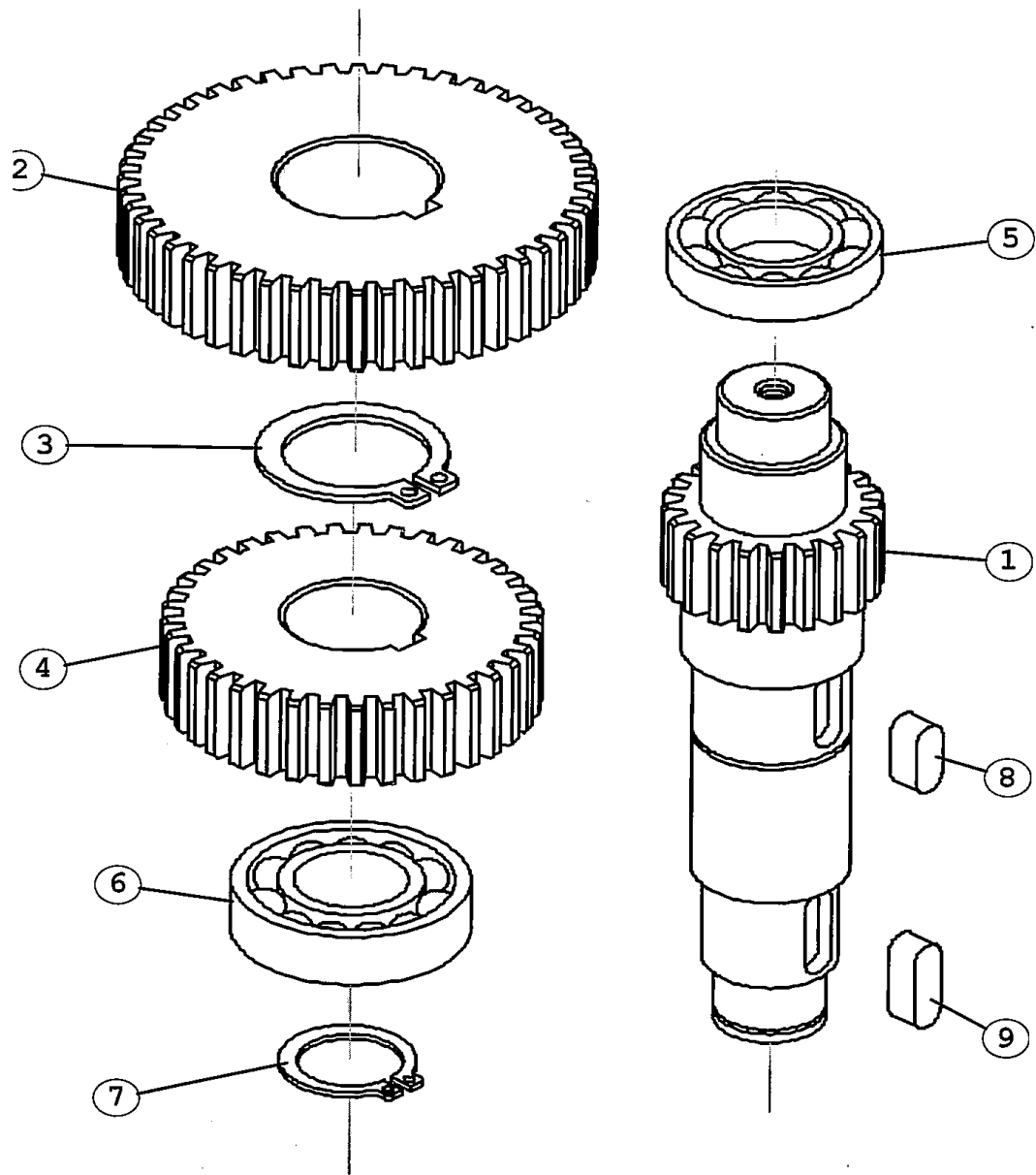
Diagram 3 – PM040/03/0##



#	Description	Supplier #	Qty
1	Planetary Shaft	11032-02-001	1
2	Ball Bearing 6206Z	BR-6206Z	1
3	Ball Bearing 6207ZZ	BR-6207ZZ	1
4	Key 8*8*50	KRR-8*8*50	1
5	Key 8 *8 *30	KRR-8*8*30	
6	Detain-Fixed Cover	11032-02-006	1
7	Bevel Gear (60 T)	11032-02-007	1
7A	Washer	11032-02-007A	
8	Key 1/4*1/4*65	KR-1/4* 1/4*65	1
9	High Speed Gear (33 T)	11032-02-009	1

#	Description	Supplier #	Qty
10	Copper washer	11032-02-010	1
11	Clutch	11032-02-011	1
12	Middle Speed Gear (45 T)	11032-02-012	1
13	Copper Washer	11032-02-013	1
14	Low Speed Gear (58 T)	11032-02-014	1
15	Oil Seal TC44*60*09	OS- TC44*60*09	1
16	Spacer	11032-02-016	1
17	Pin	11031-02-013	12
18	Sleeve Drive	11032-02-018	1
19	Spring Sheet	11031-02-012	12

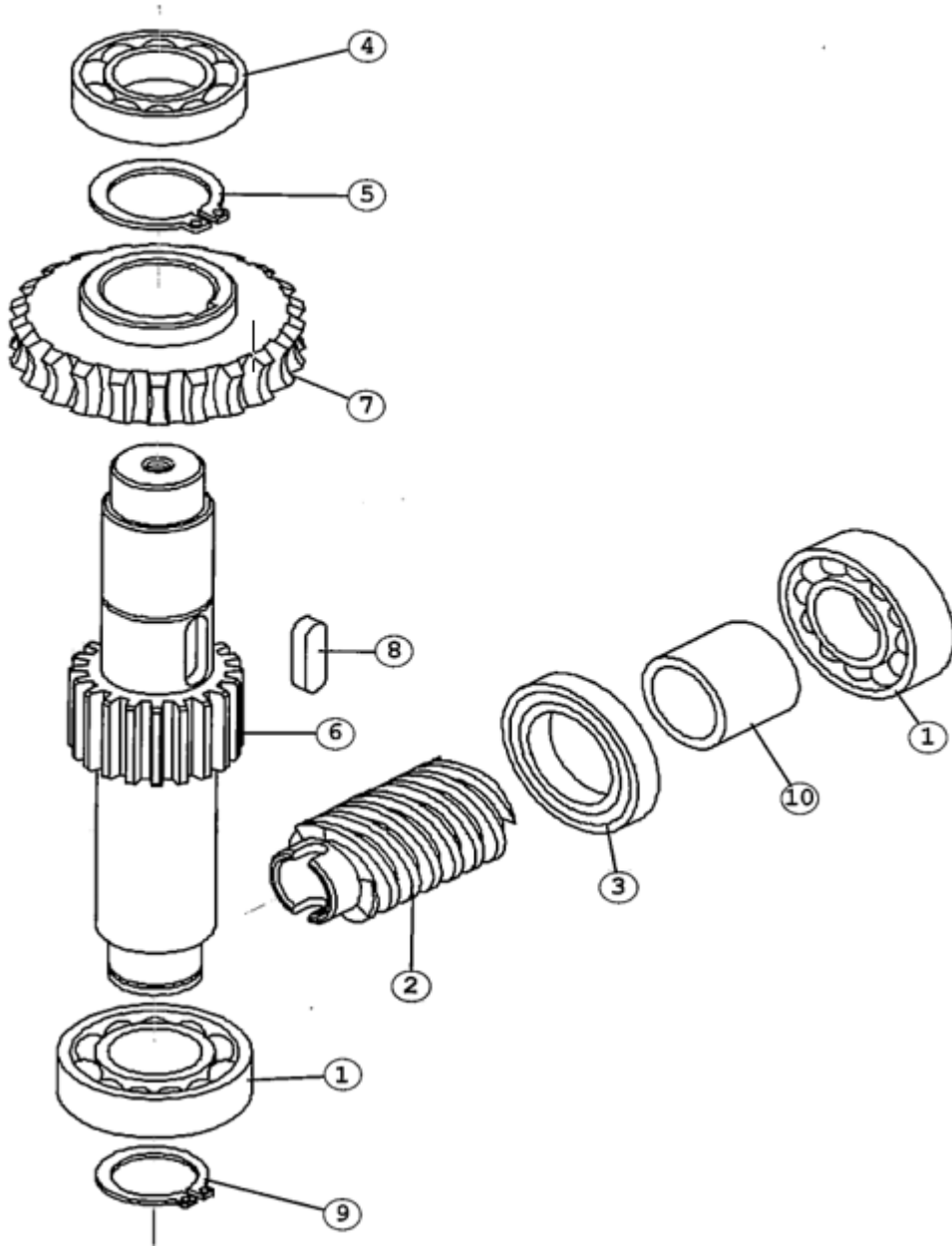
Diagram 4 – PM040/04/0##



#	Description	Supplier #	Qty
1	Shaft Gear (22 T)	11032-03-001	1
2	Gear (47 T)	11032-03-002	1
3	Snap Ring S35	CR-S35	1
4	Gear (35 T)	11032-03-004	1

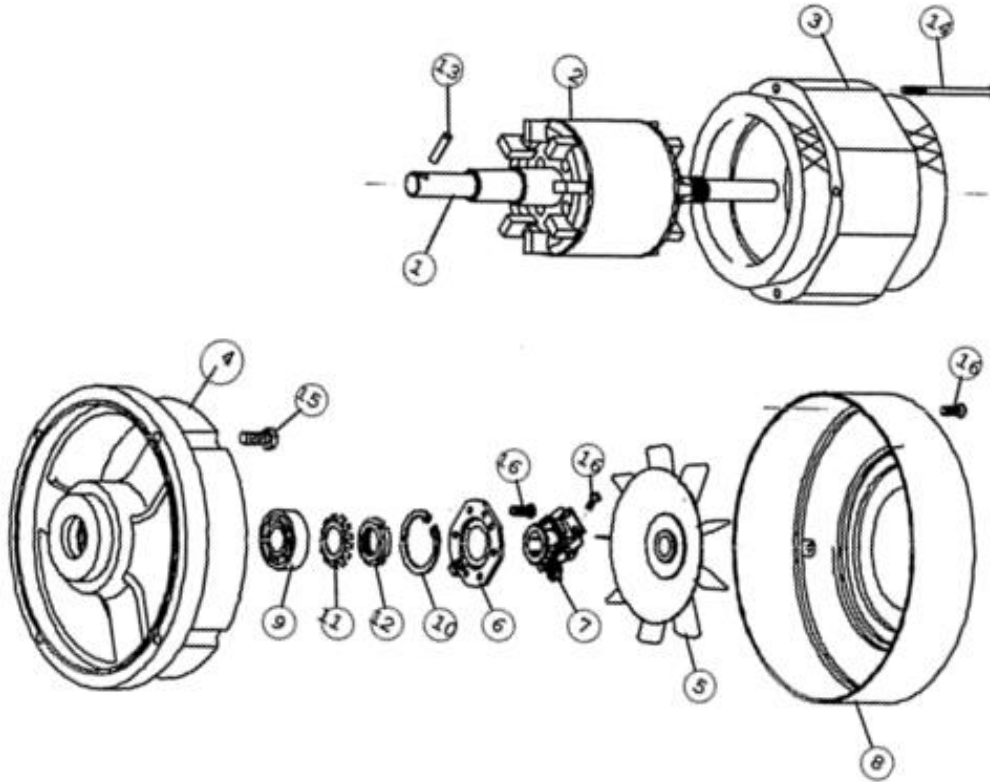
#	Description	Supplier #	Qty
5	Bearing 6005Z	BR-6005Z	1
6	Bearing 6205Z	BR-6205Z	1
7	Snap Ring S25	CR-S25	1
8	Key 8*8 20	KRR-8*8*20	1
9	Key 8*8*25	KRR8*8*25	1

Diagram 5 – PM040/05/0##



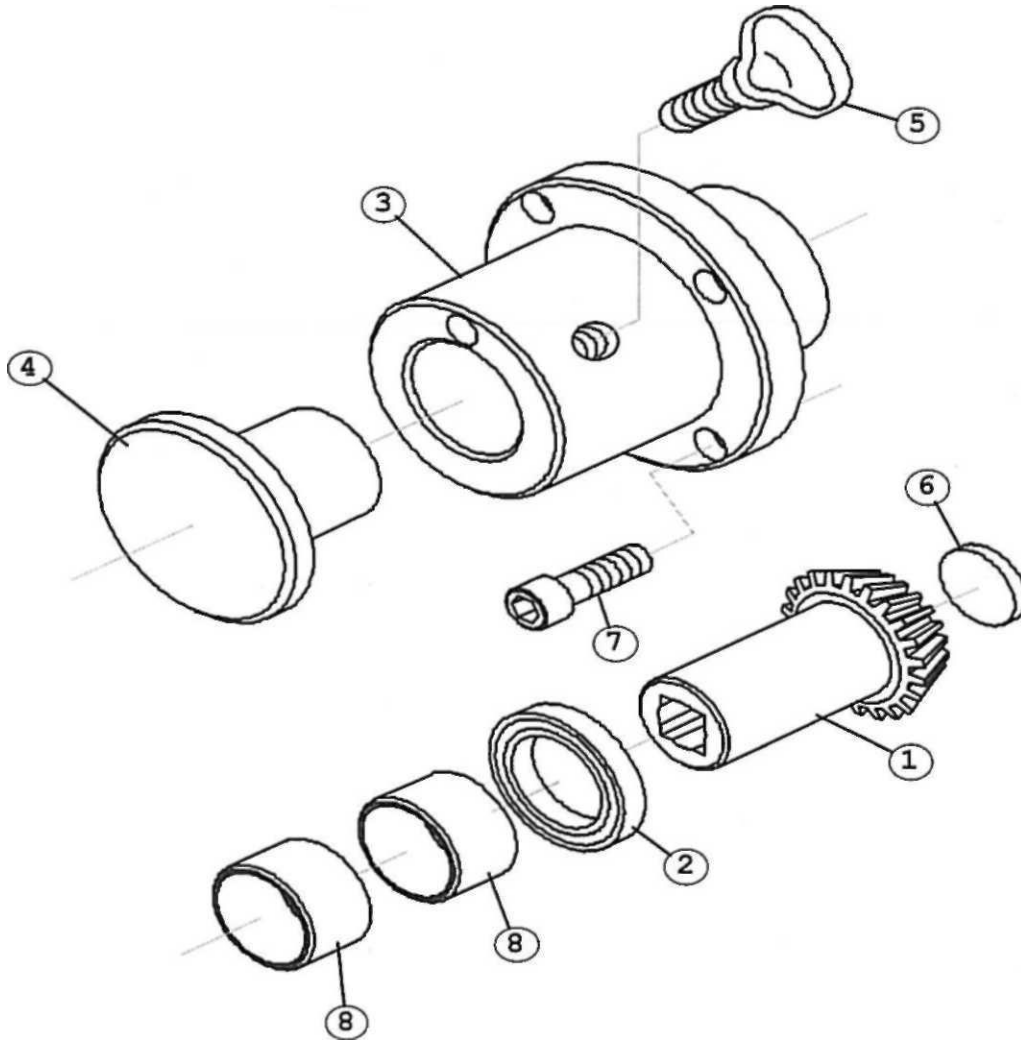
#	Description	Supplier #	Qty	#	Description	Supplier #	Qty
1	Bearing 6205Z	BR-6205Z	2	6	Worm Gear Shaft	11032-04-006	1
2	Worm	11032-04-002	1	7	Worm Gear	11032-04-007	1
3	Oil Seal 32*52*08	OS-TC32*52*08	1	8	Key 8*8*25	KRR-8*8*25	1
4	Bearing 6005Z	BR-6005Z	1	9	Snap Ring S25	CR-S25	1
5	Snap Ring S32	CR-S32	1	10	Spacer	11032-04-010	1

Diagram 6 – PM040/06/0##



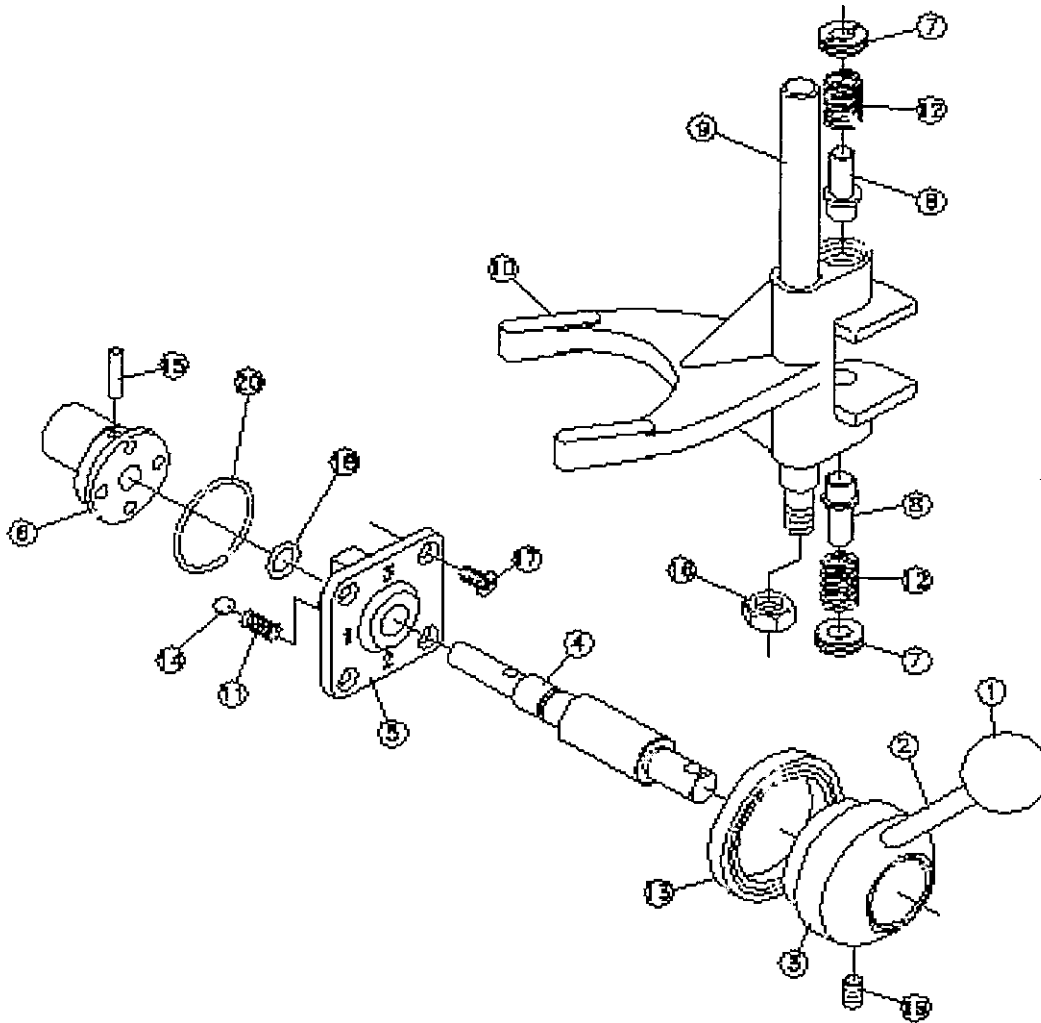
#	Description	Supplier #	Qty
1	Motor Shaft	11032-05-001	1
2	Rotor of Motor	11032-05-002	1
3	Stator of Motor	11032-05-003	1
4	Bearing Housing	11032-05-004	1
5	Ventilate Fan	11032-05-005	1
6	Governor Switch Plate	11032-05-006	1
7	Centrifugal Governor	11032-05-007	1
8	Rear Cover	11032-05-008	1
9	Bearing 6204ZZ	BR-6204ZZ	1
10	Snap Ring R47	CR-R47	1
11	Lock Washer M20	M20	1
12	Lock Nut M20	MN20	1
13	PIN 6*29	PARALLENPIN-6*29	1
14	Screw 3/16*3-3/4"	S+R3/16*3-3/4	4
15	Bolt 5/16*I-I/4	S-5/16*I-I/4	4
16	Screw 3/16*3/8	S+R3/16*3/8	6

Diagram 7 – PM040/07/0##



#	Description	Supplier #	Qty
1	Bevel Gear 30T	11032-06-001	1
2	Seal 30*45*07	OS-TC30*45*07	1
3	Hub Attachment	11032-06-003	1
4	Attachment Hole Plug	11091-06-004	1
5	Thumb Screw	11031-06-005	1
6	Oil Baffle	11012-06-006	1
7	Cap Screw 1/4"* 1"	S-C-1/4*1	4
8	Bearing 3020	BR-3020	2

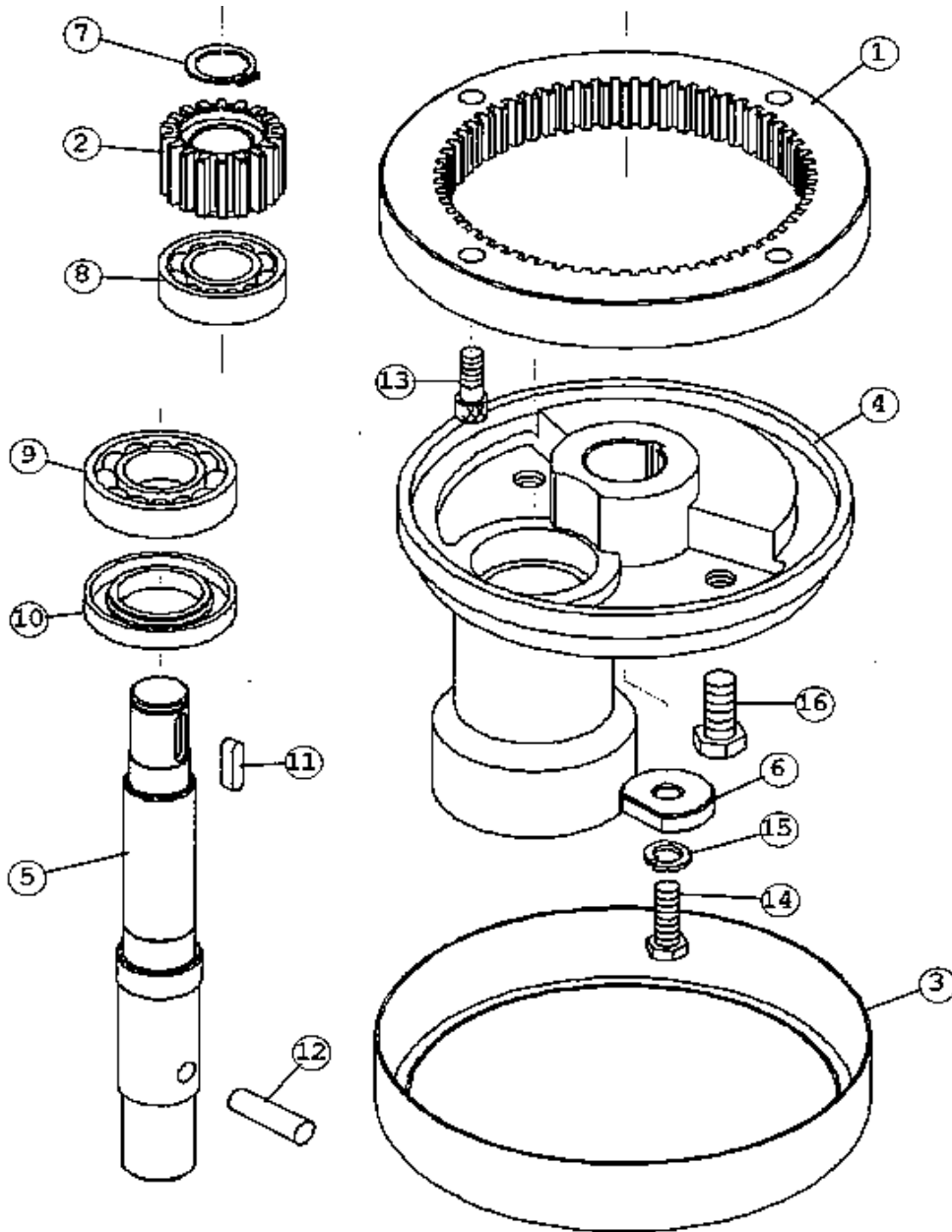
Diagram 8 – PM040/08/0##



#	Description	HL Part No.	Qty
1	Shift Handle Knob	11031-07-001	1
2	Shift Handle	11031-07-002	1
3	Handle Base	11031-07-003	1
4	Eccentric Shift Shaft	11032-07-004	1
5	Shift Selector	11012-07-005	1
6	Eccentric Shaft	11012-07-006	1
7	Screw	11031-07-007	2
8	Shift Fork Plunger	11031-07-008	2
9	Shifter Fixed Shaft	11032-07-009	1
10	Shift Fork	11032-07-010	1

#	Description	Supplier #	Qty
11	Compression Spring	11031-07-011	2
12	Compression Spring	11031-07-012	2
13	Oil Seal 45*55*08	OS-TC45*55*08	1
14	Steel Ball	SB-6	2
15	Tapered Pin 4*24	TP-4*24	1
16	Nut 3/8*16	NUT-3/8*16NC	1
17	Screw 3/16"* 1/4	S+F3/16*1/4	4
18	Snap Ring P9	OR-P9	1
19	Set Screw 3/16*1/2	S-S3/16*1/2	1
20	Snap Ring 33.5*37.5*2	OR-33.5*37.5*2	1

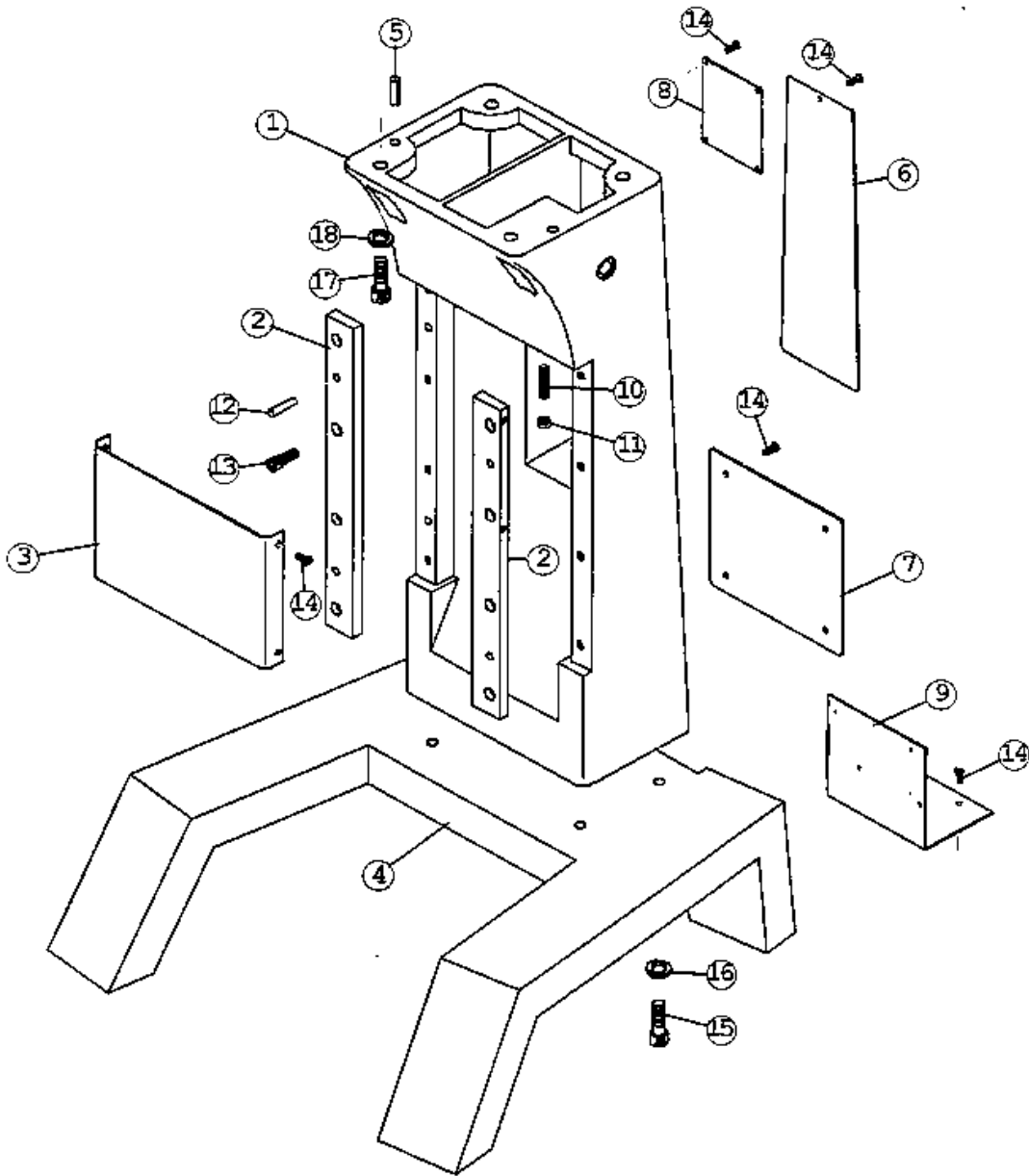
Diagram 9 – PM040/09/0##



#	Description	Supplier #	Qty
1	Internal Drive Gear	11032-08-001	1
2	Internal Pinion (18 T)	11032-08-002	1
3	Head Ring	11031-08-003	1
4	Planetary Head	11032-08-004	1
5	Agitating Shaft	11032-08-005	1
6	Spacer	11031-08-006	1
7	Snap Ring S24	CR-S24	1
8	Ball Bearing 6205Z	BR-6205Z	1

#	Description	Supplier #	Qty
9	Ball Bearing 6206Z	BR-6206Z	1
10	Oil Seal 35*62*10	OS-TC35*62*10	1
11	Key 6*6*25	KRR-6*6*25	1
12	Tapered Pin	11032-08-012	1
13	Cap Screw 3/8*1	S-C-3/8*1	4
14	Cap Screw 3/8*1	S-C-3/8*1	1
15	Washer 3/8"	SW-3/8	1
16	Bolt 1/2"*3/4"	S-1/2*3/4	2

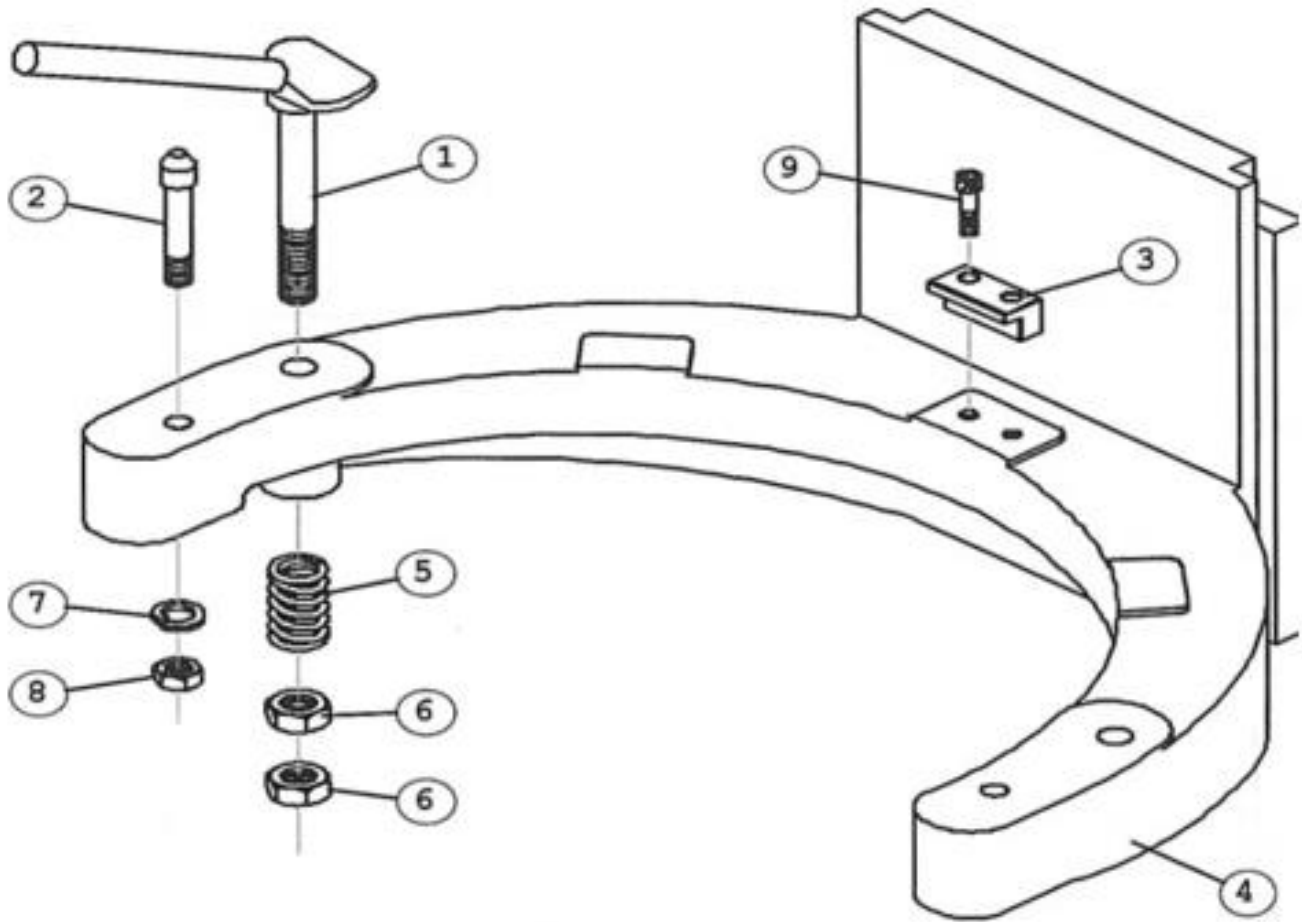
Diagram 10 – PM040/10/0##



#	Description	Supplier #	Qty
1	Column	11032-09-001	1
2	Slideway	11032-09-002	2
3	Apron	11032-09-003	1
4	Base	11040-09-004	1
5	Spring Pin 10*24	SPP-10*24	2
6	Column Cover A	11031-09-006	1
7	Column Cover B	11031-09-007	1
8	Column Cover C	11031-09-008	1
9	Seat of Electrical Part	11031-09-009	1

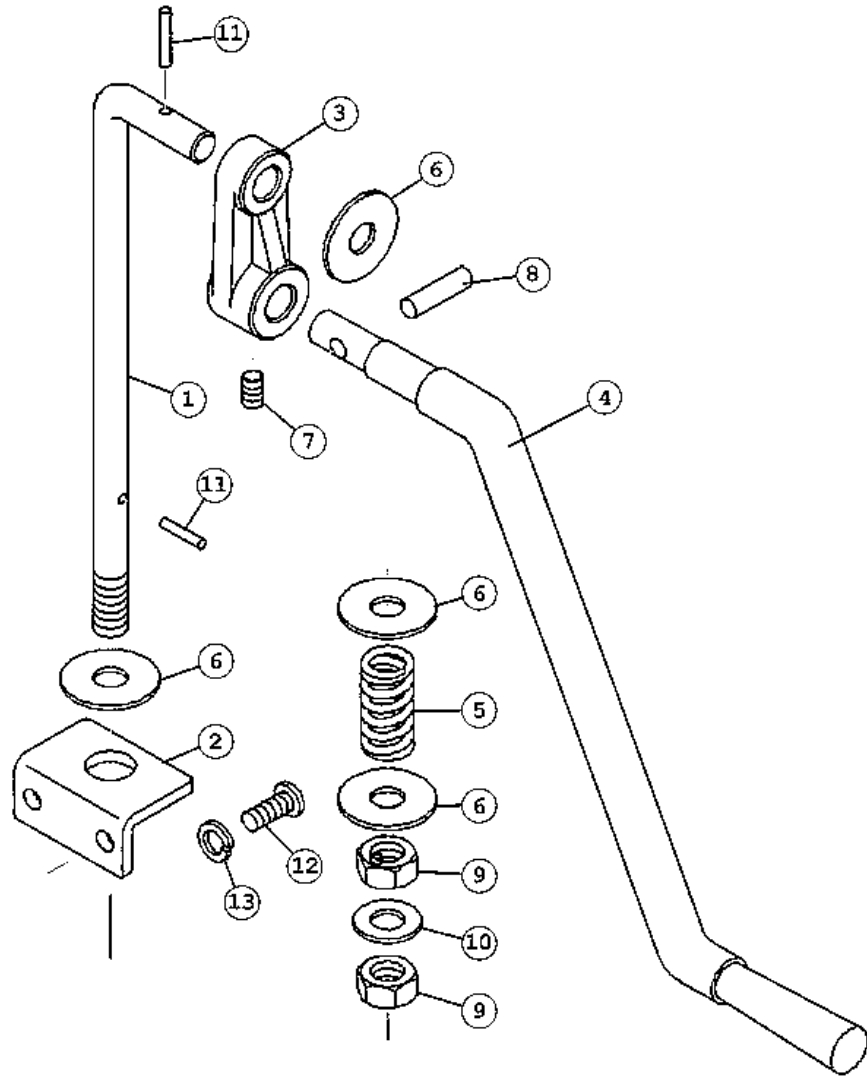
#	Description	Supplier #	Qty
10	Set Screw 5/16"x2"	S-S5/16*2	1
11	Nut 5/16*18	NUT-5/16*18NC	1
12	Spring Pin 8*20	SSP-8*20	2
13	Cap Screw 5/16 x 3/4"	S-C-5/16*3/4	8
14	Mach Screw 3/16 x 1/4"	S+R3/16*1/4	16
15	Bolt 3/8"1-1/4"	S-3/8*1-1/4	4
16	Spring Washer 3/8"	SW-3/8	4
17	Cap Screw 1/2"-1/4"	S-C-1/2*1-1/4	4
18	Spring Washer 1/2"	SW-1/2	4

Diagram 11 – PM040/11/0##



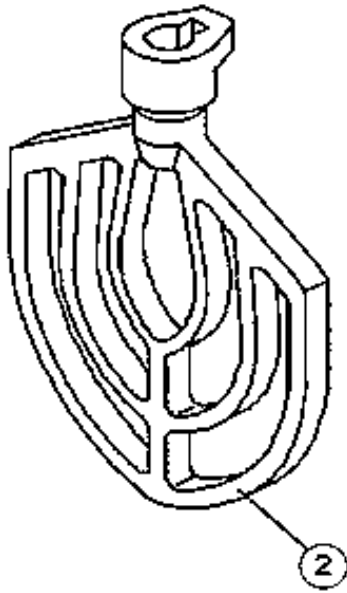
#	Description	Supplier #	Qty
1	Bowl Clamp	11031-10-001	2
1	Screw Of Bowl Clamp	11031-10-001C	2
2	Bowl Locating Pin	11091-10-005	2
3	Bowl Retainer	11031-10-003	1
4	Bowl Support	11040-10-004	1
5	Compression Spring	11031-10-005	2
6	Nut 1/2"*12	NUT-1/2*12NC	4
7	Washer 3/8"	SW-3/8	2
8	Nut 3/8"*16	NUT-3/8*16NC	2
9	Bolt 1/4*1"	S-1/4*1	2

Diagram 12 – PM040/12/0##

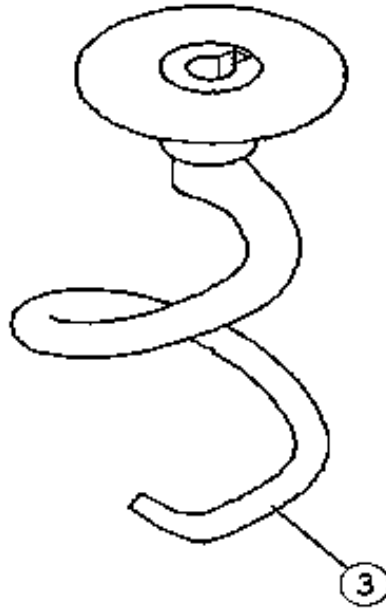


#	Description	Supplier #	Qty
1	Lifting Bar	11031-11-001	1
2	Lifting Handle Bracket	11031-11-002	1
3	Inner Arm	11031-11-003	1
4	Bowl Lift Handle	11032-11-004	1
5	Compression Spring	11031-11-005	1
6	Flat Washer	11031-11-006	4
7	Set Screw 5/16"*3/8"	S-S5/16*3/8	1
8	Tapered Pin 4*32	TP-4*32	1
9	Nut 1/2"*1	NUT-1/2*12NC	2
10	Flat Washer 1/2"	WB-1/2	1
11	Tapered Pin 4*25	TP-4*25	2
12	Cap Screw 5/16"*3/8"	S-C-5/16*3/8	2
13	Washer 5/16"	SW-5/16	2

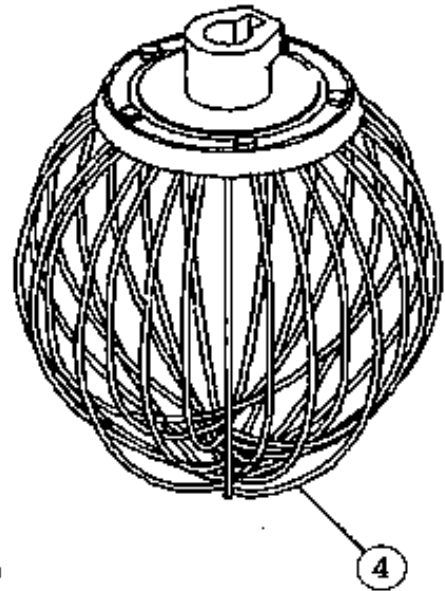
Diagram 13 – Attachments



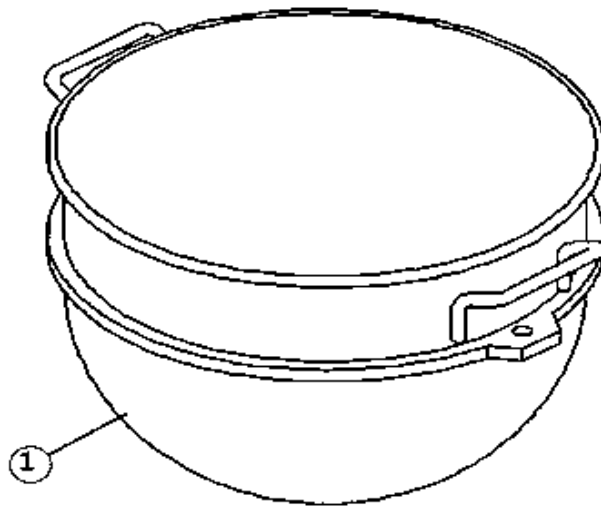
BMBF040



BMBH040



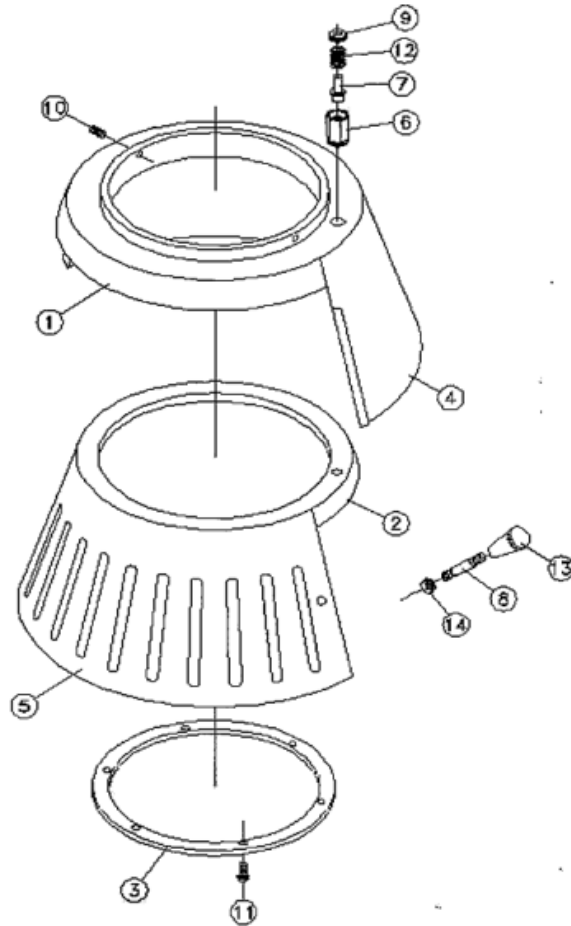
BMBW040



BMBB040

#	Description	Supplier#	Qty
1	SS Bowl	11040-12-001	1
2	AL Flat Beater	11040-12-002	1
3	AL Dough Hook	11040-12-003	1
4	AL Wire Whip	11040-12-004	1

Diagram 14 – PM040/14/0##



#	Description	Supplier #	Qty
1	Head Ring	11040-13-001	1
2	Moving Ring	11040-13-002	1
3	Fixed Ring	11031-13-003A	1
4	Fixed Sheet	11040-13-004	1
5	Moving Sheet	11040-13-005	1
6	Seat of Limit Switch	11032-13-006	1
7	Plunger	11032-13-007	1
8	Handle	11012-07-002	1
9	Screw 3/16"* 1/2	11031-07-007	2
10	Set Screw 5/16*3/8	S-S5/16*3/8	2
11	Bolt 3/16*3/8	S-3/16*3/8	6
12	Compression Spring	11040-13-012	1
13	Handle Knob	11012-07-001	1
14	Nut 5/16*18	NUT-5/16*18NC	1