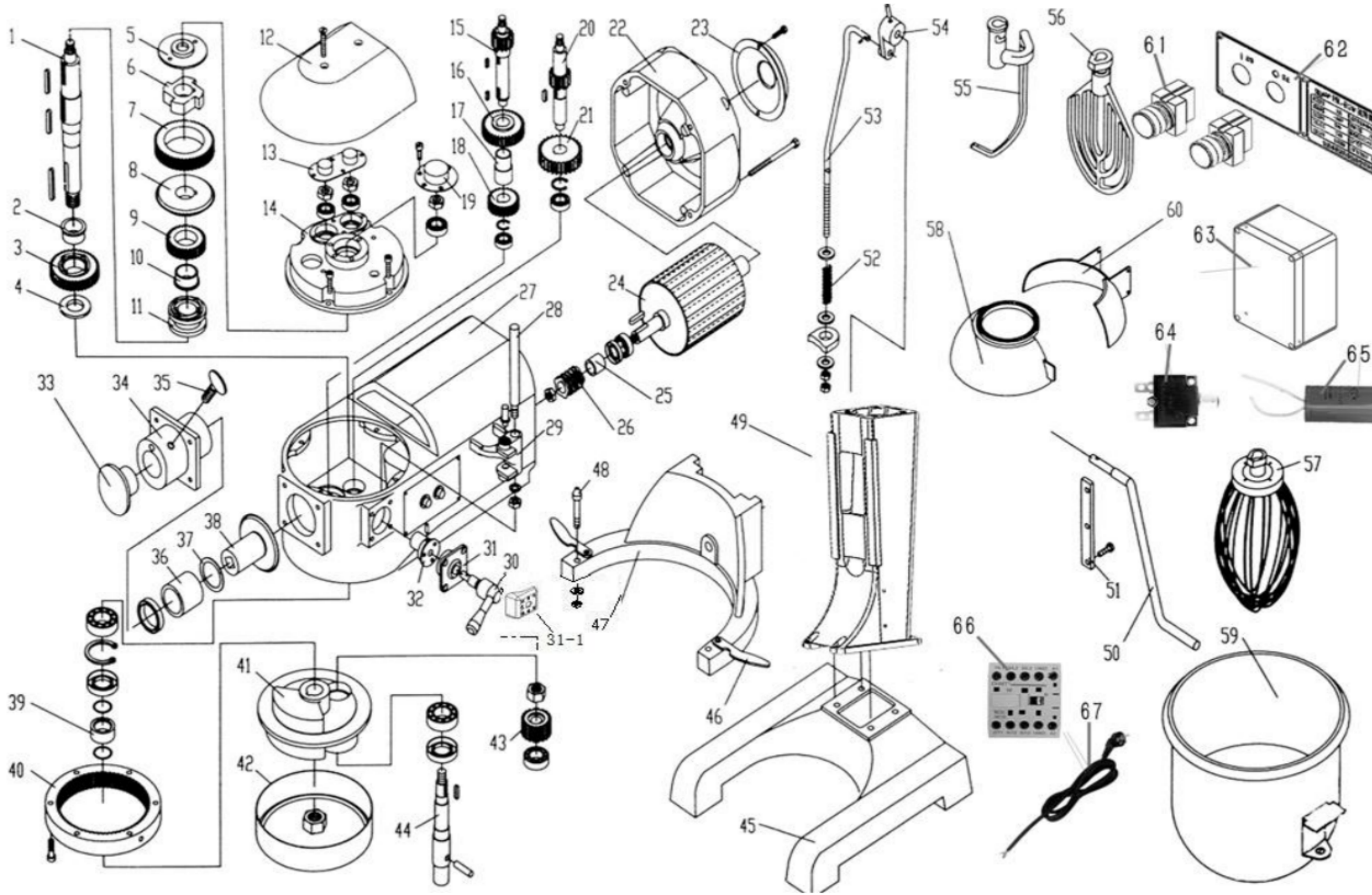


BakeMax BMPME20 & BMPME30 Parts Breakdown



Part No.	Part Name	Part No.	Part Name
1	main spindle	34	connector for mincer
2	shaft sleeve	35	self-locker belt
3	large tooth gear	36	needle bearing
4	gasket for main spindle	37	wave-form gasket
5	gland	38	small bevel gear
6	clutch	39	sealing bushing
7	upp gear for main spindle	40	inner gear
8	cushion block	41	stirring seat
9	small tooth gear	42	drip tray
10	shaft sleeve	43	planetary gear
11	splicer	44	stirring shaft
12	upper cover	45	base
13	top cover of transmission axile	46	locker for kettle
14	cover of seat of bearing	47	carriage
15	reducing axile	48	locating pin
16	top gear of reducing axile	49	column
17	bushing	50	turner
18	down gear of reducing axile	51	platen
19	top cover of main spindle	52	spring
20	transmission axile	53	spring of union lever
21	turbing	54	union lever
22	back cover	55	stirring rod
23	end cap	56	beater
24	motor	57	whip
25	oil sealing	58	protection cover
26	worm	59	kettle
27	frame	60	fixing cover
28	fork axile	61	switch
29	fork part	62	seat for switch
30	turner	63	electric board
31	seat of turner	64	termal protection switch
31-1	cover for seat	65	capacitor
32	eccentric bushing	66	AC contactor
33	front cap	67	wire and plug