



BakeMax BMSS001 Artisan Bread Slicer Parts Breakdown



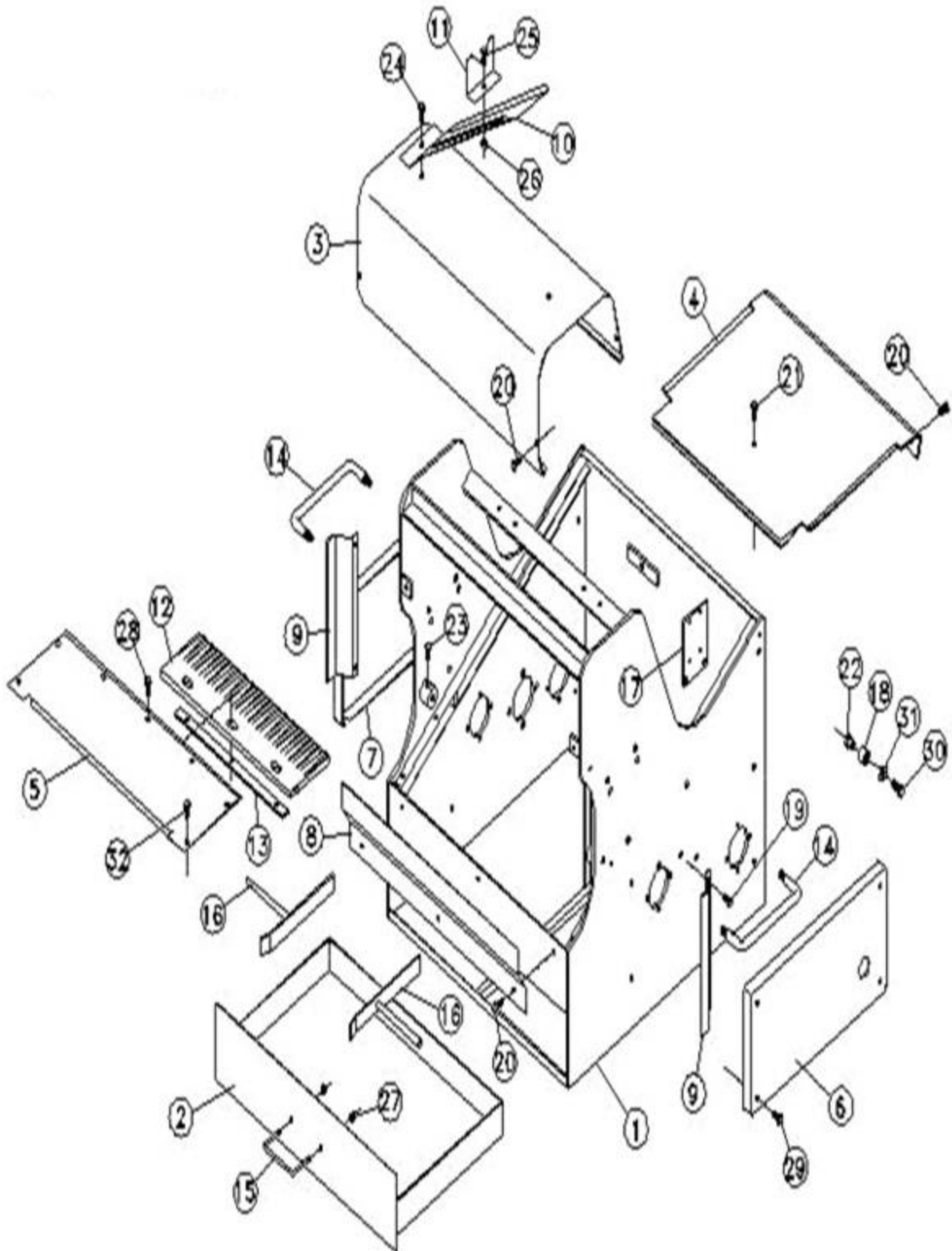
Questions? OEM Parts? Contact Us:

Toll Free: 1-800-565-2253

Email: Info@BakeMax.com

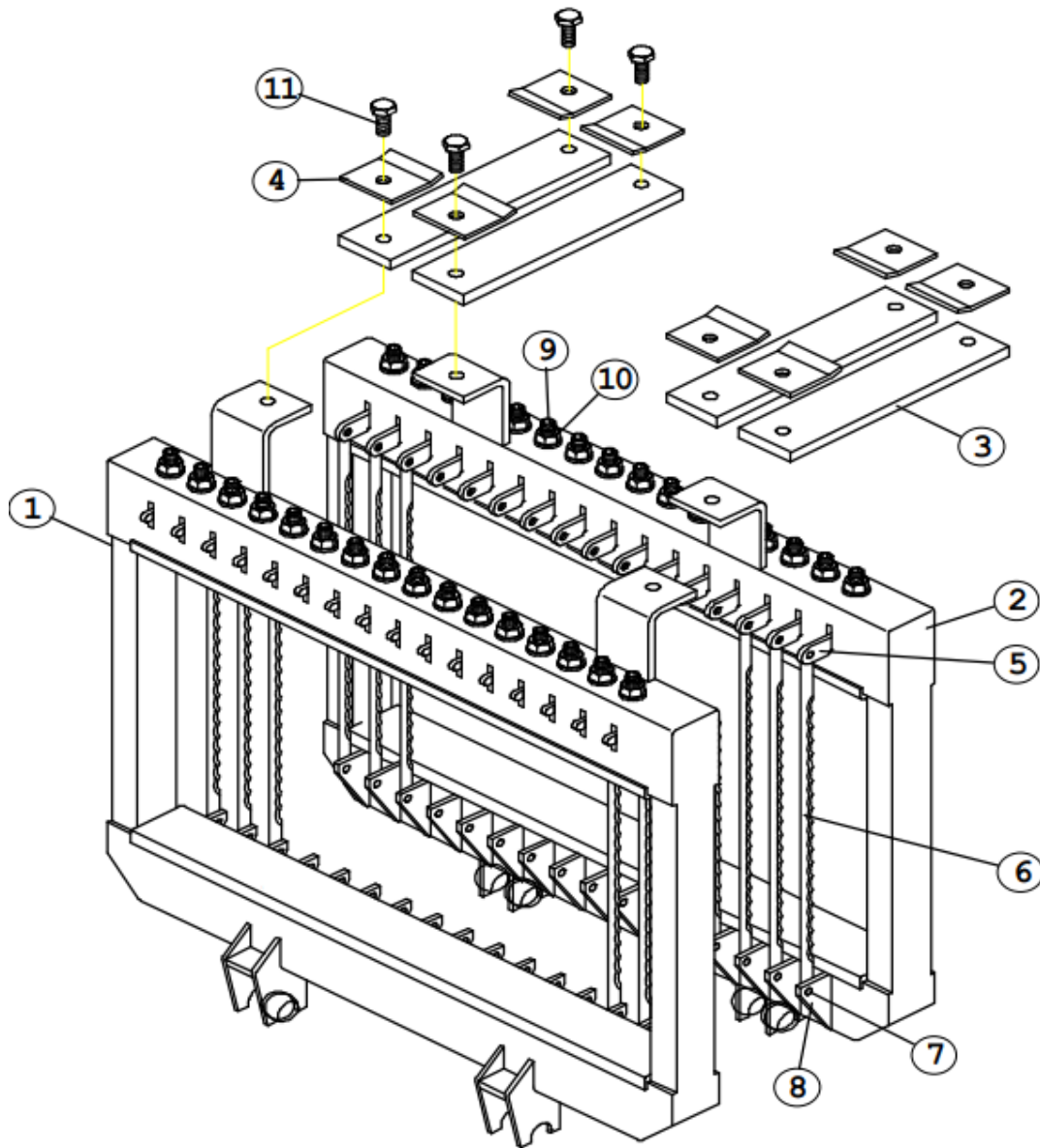
www.BakeMax.com

FIGURE 1 – MACHINE BODY



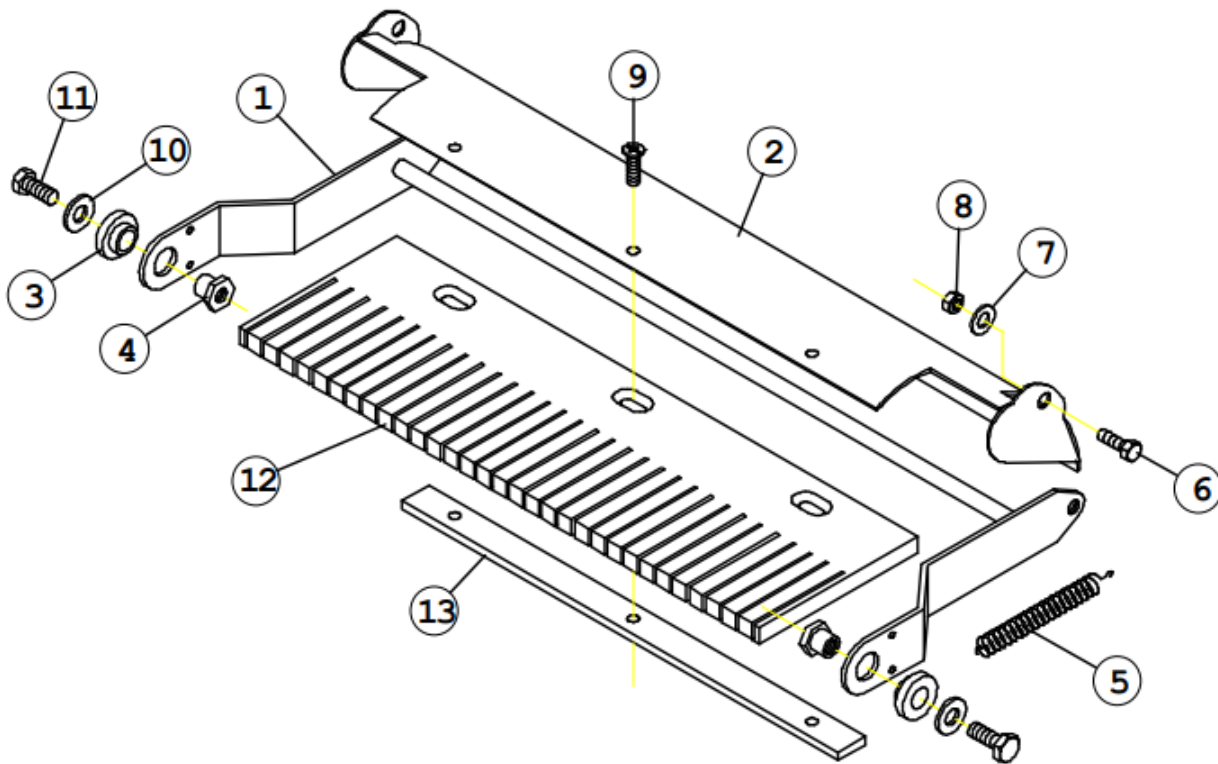
#	Description or Name	Part No.	Qty
1	Body	52001-01-001	1
2	Crumb Drawer	52001-01-002	1
3	Upper Lid	52001-01-003A	1
4	Rear Guide Board	52001-01-004	1
5	Front Guide Board	52001-01-005	1
6	Right Side Cover	52001-01-006	1
7	Left Side Cover	52001-01-007	1
8	Front Side Cover	52001-01-008	1
9	Safety Plate	52001-01-009	2
10	Packing Shelf	52001-01-010	1
11	Base of Packing Shelf	52001-01-011	1
12	Lower Comb	52001-01-012	1
13	Fixing Plate	52001-01-013	1
14	Handle of Machine	52001-01-014	2
15	Handle of Drawer	52001-01-015	1
16	Bread Guide Bar	52001-01-016	2
17	Fixing Plate	52001-01-017	1
18	Rubber Ring	52001-01-018	2
19	Bolt 3/16''*3/16''	S-3/16*3/16	2 -
20	Bolt 1/4''*3/8''	S-1/4*3/8	9
21	Bolt 5/16''*3/8''	S-5/16*3/8	1
22	Screw Seat	52001-03-004	2
23	Bolt 5/16''*3/8''	S-5/16*3/8	2
24	Bolt 3/8''*1/2''	S-3/8*1/2	1
25	Bolt 3/8''*1/2''	S-3/8*1/2	1
26	Nut 3/8''*16NC	NUT-3/8*16NC	1
27	Nut 3/8''*16NC	NUT-3/8*16NC	2
28	Bolt 1/4''*3/16''	S-1/4*3/16	3
29	Bolt 1/4''*1''	S-1/4*1	8
30	Bolt 5/16*1	S-5/16*1	2
31	Spring Washer	SW-5/16	2
32	Bolt 1/4*5/8	S-1/4*5/8	4

Figure 2 – KNIVES FRAME UNIT



	Description or Name	Part No.	Qty
1	Knives Frame A	52001-02-001A	1
2	Knives Frame B	52001-02-002B	1
3	Frame Holder	52001-02-003	4
4	Fixed Plate	52001-02-004	4
5	Knives Hook	52001-02-005	32
6	Full Set Of Blades	52001-02-006	32
7	Fixed Nail Knives	52001-02-007	32
8	Knives Holder	52001-02-008	32
9	Set Screw 1/2"*1-1/2"	S-S1/2*1-1/2	32
10	Nut M8	NUT-M8	32
11	Bolt 5/16"*5/8"	S-5/16*5/8	8

Figure 3 – UPPER COMP UNIT



	Description or Name	Part No.	Qty
1	Guide Arm	52001-03-001	2
2	Pressing Guide Board	52001-03-002	1
3	Bush	52001-03-003	2
4	Axle	52001-03-004	2
5	Spring	52001-03-005	2
6	Bolt 5/16"*1/2"	S-5/16*1/2	2
7	Washer 5/16"	W-5/16	2
8	Nut 5/16"*18NC	NUT-5/16*18NC	2
9	Bolt 1/4"*5/8"	S-1/4*5/8	3
10	Washer 5/16"	W-5/16	2
11	Bolt 5/16"*5/8"	S-5/16*3/8	2
12	Upper Comb	52001-03-012	1
13	Fixing Plate	52001-01-013	1

Figure 4 – PUSHER UNIT

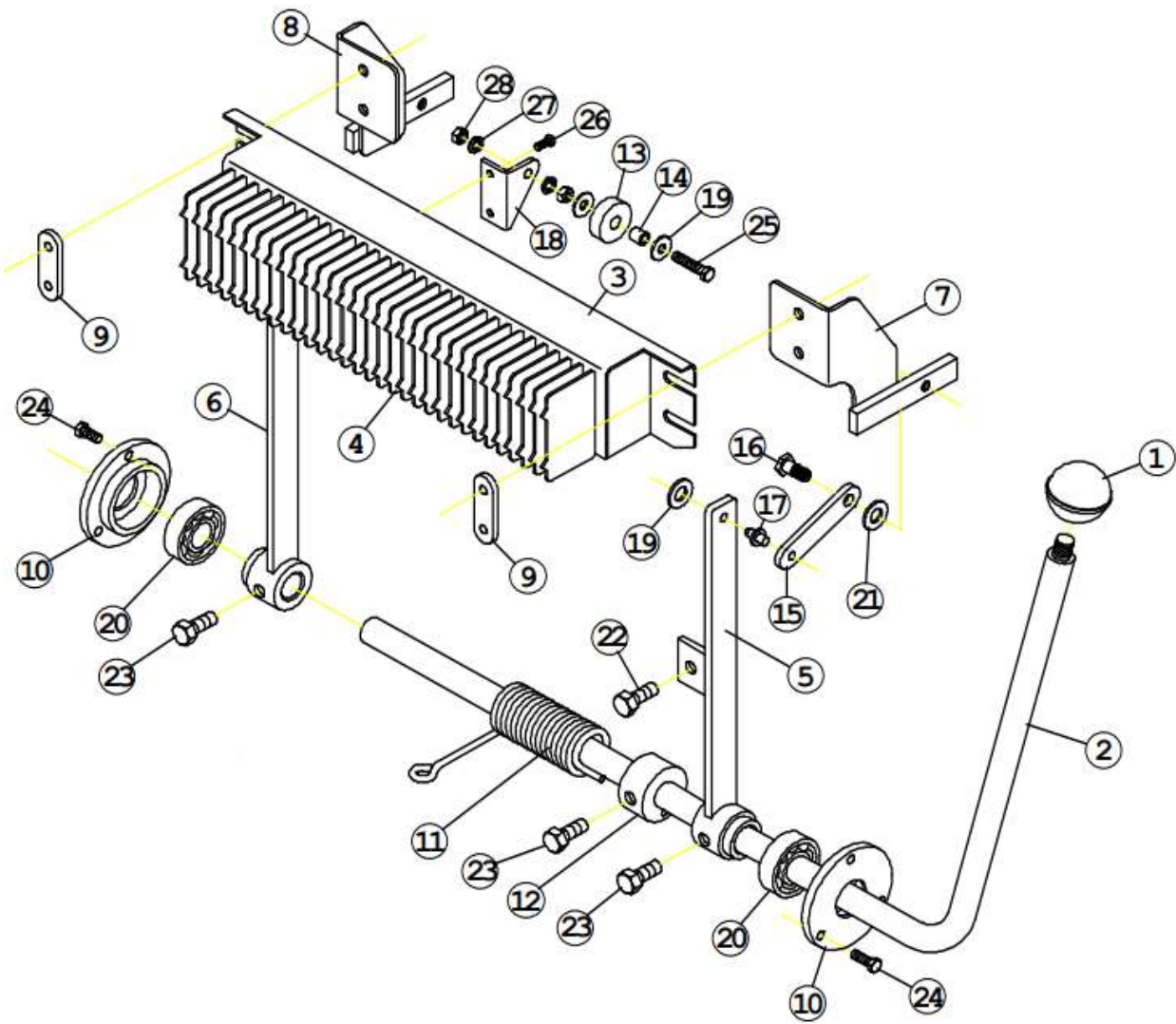
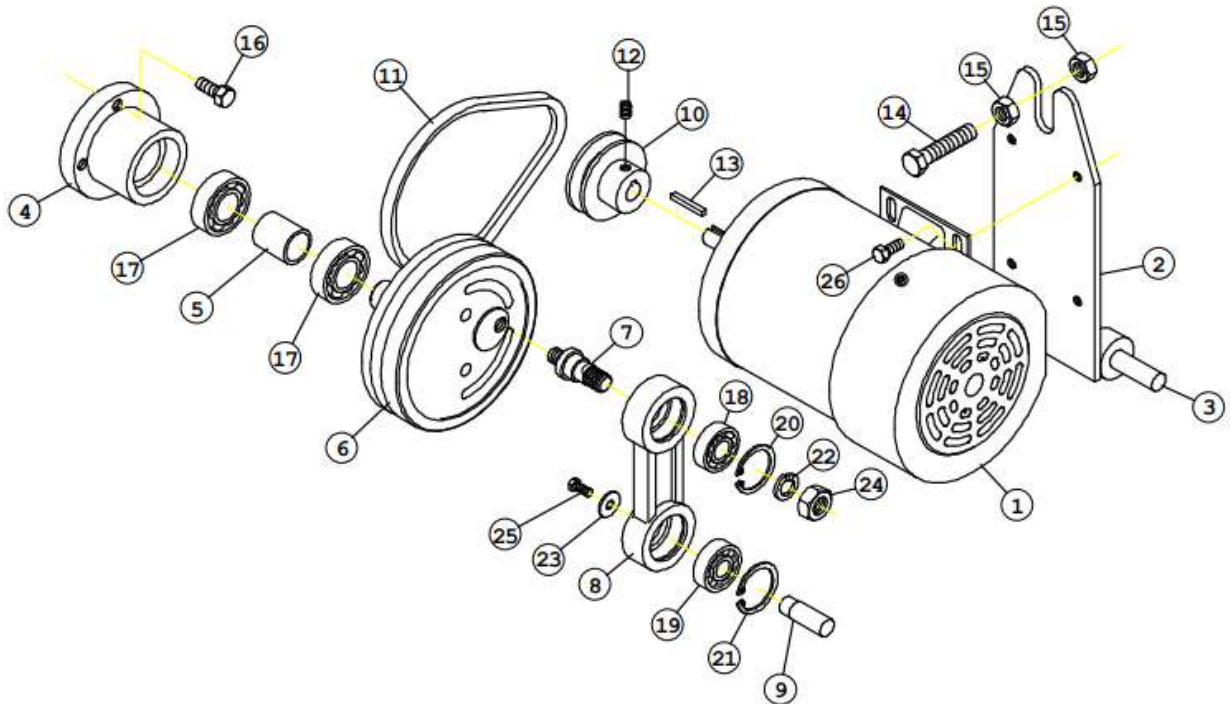


Figure 4 – Pusher Unit – Parts List

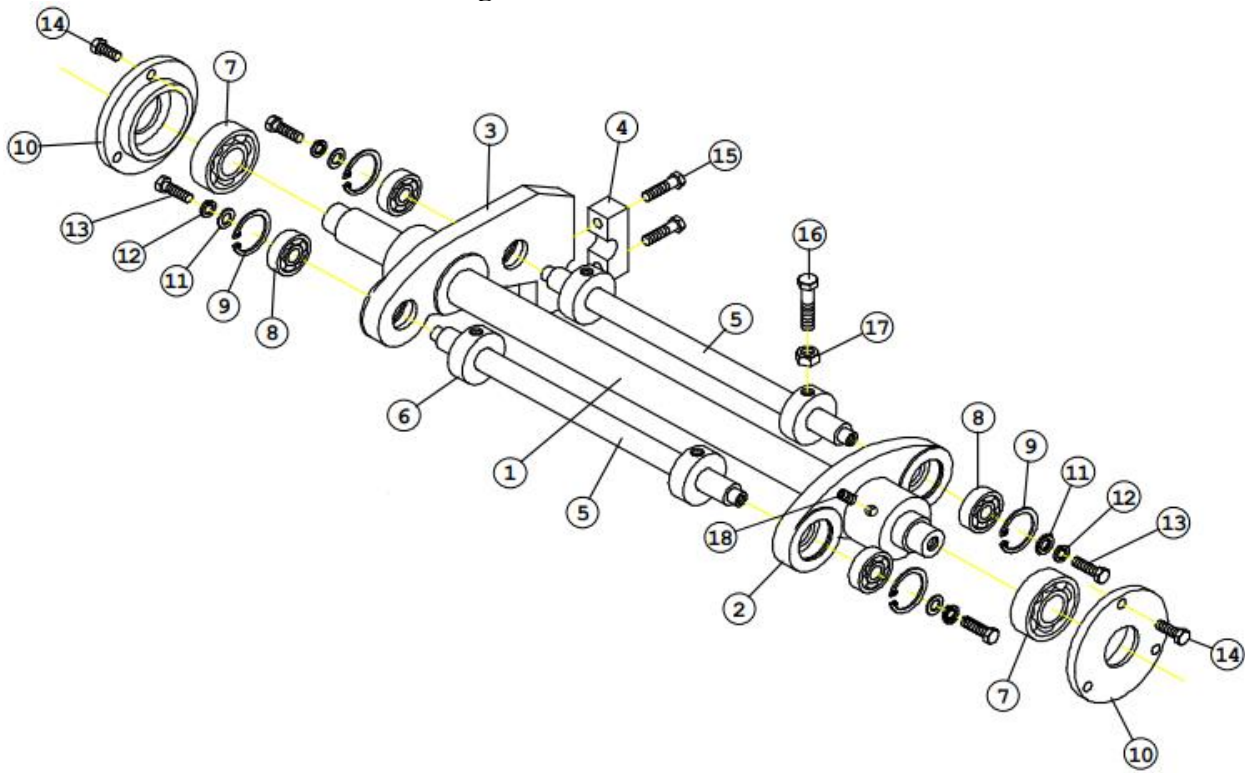
	Description or Name	Part No.	Qty
1	Knob	52001-04-001	1
2	Starting Crank	52001-04-002	1
3	Pusher	52001-04-003	1
4	Fork-Pusher	52001-04-004	32
5	Rod-Right	52001-04-005	1
6	Rod-Left	52001-04-006	1
7	Slide Seat-Right	52001-04-007	1
8	Slide Seat-Left	52001-04-008	2
9	Fixing Plate of Pusher	52001-04-009	2
10	Bearing Housing	52001-04-010	2
11	Spring	52001-04-011	1
12	Fixing Ring	52001-04-012	1
13	Rubber Wheel	52001-04-013	1
14	Wheel Ring	52001-04-014	1
15	Rod	52001-04-015	2
16	Screw Shaft	52001-04-016	2
17	Axle	52001-04-017	2
18	Wheel Support	52001-04-018	1
19	Washer 1/4"	W-1/4	4
20	Ball Bearing 6204	BR-6204	2
21	Washer 3/8"	WB-3/8	2
22	Bolt 1/4"*1"	S-1/4*1	2
23	Bolt 3/8"*3/8"	S-3/8*3/8	4
24	Bolt 1/4"*1/2"	S-1/4*1/2	8
25	Bolt 1/4"*1-1/2"	S-1/4*1-1/2	1
26	Bolt 3/16"*3/8"	S-3/16*3/8	2
27	Spring Washer 1/4"	SW-1/4	2
28	Nut 1/4*20NC	NUT-1/4*20NC	2

Figure 5 – MOTOR UNIT



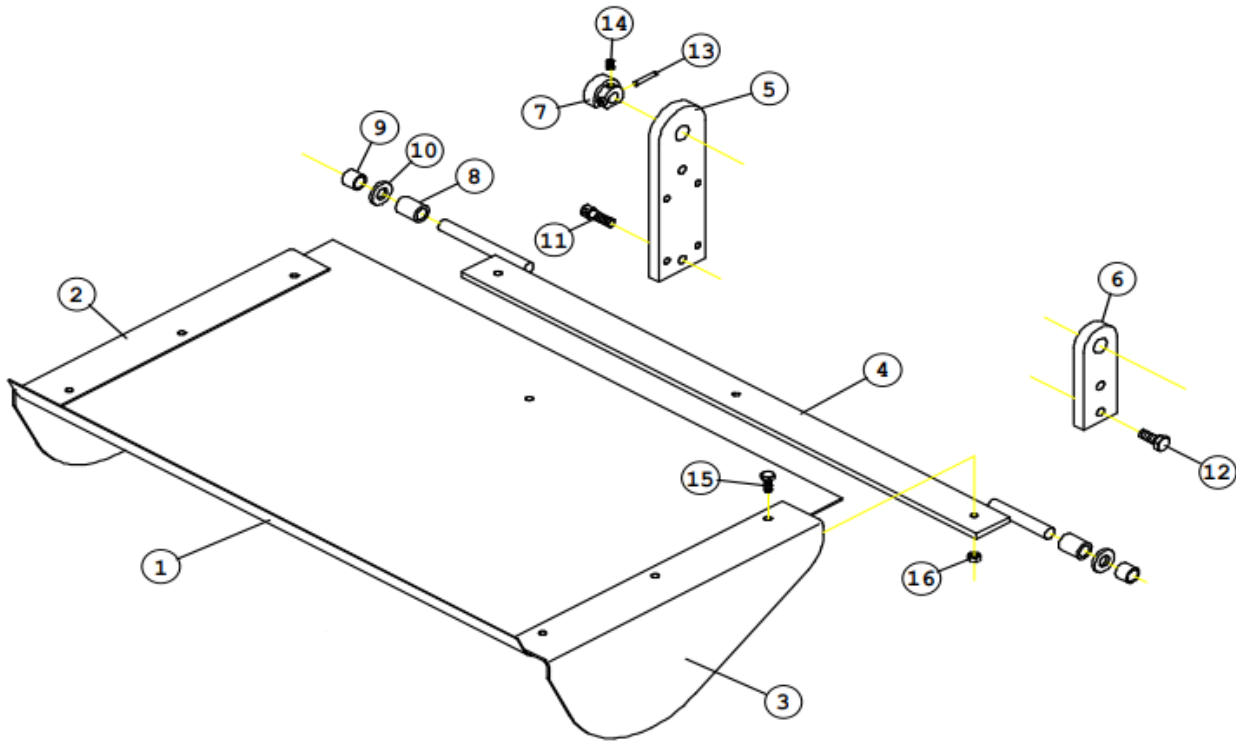
	Description or Name	Part No.	Qty
1	Motor	52001-05-001	1
2	Motor Bearing	52001-05-002	1
3	Shaft-Motor Bearing	52001-05-003	1
4	Bearing Housing	52001-05-004	1
5	Bush	52001-05-005	1
6	Pulley	52001-05-006B	1
7	Driving Shaft	52001-05-007	1
8	Connecting Rod	52001-05-008	1
9	Shaft Crank	52001-05-009	1
10	Pulley	52001-05-010	1
11	Belt	52001-05-011	2
12	Bearing Seat	52001-05-012	1
12	Set Screw 5/16"*3/8"	S-S5/16*3/8	1
13	Key 5*5*30	KR-5*5*30	1
14	Bolt 1/2*3	S-1/2*3	1
15	Nut 5/16	NUT5/16	2
16	Bolt 5/16"*5/8"	S-5/16*5/8	4
17	Ball Bearing 6205	BR-6205	2
18	Ball Bearing 6203	BR-6203	1
19	Ball Bearing 6202	BR-6302	1
20	C Snap Ring R40	CR-R40	1
21	C Snap Ring R42	CR-R42	1
22	Spring Washer 5/8"	SW-5/8	1
23	Washer 1/4"	W-1/4	1
24	Nut 5/8*11NC	NUT-5/8*11NC	1
25	Bolt 1/4"*3/4"	S-1/4*3/4	1
26	Bolt 5/16"*1/2"	S-5/16*1/2	4

Figure 6 – TRANSMISSION UNIT



	Description or Name	Part No.	Qty
1	Shaft	52001-06-001	1
2	Shaft Housing	52001-06-002	1
3	Crank-Knives Frame	52001-06-003	1
4	Clamp Block	52001-06-004	1
5	Support Shaft	52001-06-005	2
6	Clamp Ring	52001-06-006	4
7	Ball Bearing 6204	BR-6204	2
8	Ball Bearing 6200N	BR-6200N	4
9	C SnapRing R30	CR-R30	4
10	Bearing Support	52001-04-010	2
11	Washer 1/4"	W-1/4	4
12	Spring Washer 1/4"	SW-1/4	4
13	Bolt 1/4"*5/8"	S-1/4*5/8	4
14	Bolt 1/4"*1/2"	S-1/4*1/2	8
15	Bolt 1/4"*1"	S-1/4*1	2
16	Bolt 5/16"*1"	S-5/16*1	4
17	Nut 5/16*18NC	NUT-5/16*18NC	4
18	Set Screw 5/16"*1/2"	S-S5/16*1/2	2

Figure 7 – SAFETY GUARD



	Description or Name	Part No.	Qty
1	Safety Guard	52001-07-001	1
2	Left Cover	52001-07-002	1
3	Right Cover	52001-07-003	1
4	Fixing Plate	52001-07-004	1
5	Support Shaft	52001-07-005	1
6	Support Shaft	52001-07-006	1
7	Cam	52001-07-007	1
8	Spacer	52001-07-008	2
9	Bush	52001-07-009	2
10	Spacer	52001-07-010	2
11	Cap Screw 1/4"*5/16"	S-C-1/4*5/16	2
12	Bolt 1/4"*5/8"	S-1/4*5/8	2
13	Pin 3*L1"	SP-3*1"	1
14	Set Screw 3/16"* 5/16"	S-S3/16*5/16	1
15	Bolt 3/16"*5/8"	S-3/16*5/8	7
16	Nut 3/16*24NC	NUT-3/16*24NC	7

Warranty & Service

BakeMax provides a 1-Year Limited Parts and Labor warranty on most items, there are select items which carry a Limited 2-Year Warranty. Extended Warranty is available on some products. Please contact us for details. The Warranty is not transferable and is limited to original installation of equipment sold by BakeMax for the original user.

For all Warranty Claims, Proof of Purchase and/or Serial Number is required. Once the machine is approved, BakeMax will provide our customers with on-site Warranty Coverage on all equipment more than 100lbs. BakeMax assumes no responsibility for down time or loss of product. Repairs must be Pre-Authorized by BakeMax and have a Service Authorization Number issued prior to commencing Warranty Service.

Warranty begins 10-Days after shipping from warehouse; delays in installation which would extend the Warranty must be Approved. All equipment must be installed and connected by Qualified Professionals in accordance with the Manual Specification. Products shipped are to be inspected at time of delivery, the receiver is responsible for inspection.

Any abuse or improper use of the equipment will void the warranty. This includes failure to follow all cleaning instructions, improper installation, improper maintenance, failure to follow capacity charts, improperly wired electrical connections. The Warranty does not apply to abuse, willful or accidental damage, or to products used for other than their intended purpose. Normal wear parts such as Accessories, Attachments, or Electrical Components such as Fuses, Bulbs, Elements, and Switches carry a 90-Day Warranty only.

Bench Warranty (Machines Weighing 100 lb. or less)

Once the machine is Approved for Warranty Service, if the machine requires Warranty work in less than 30 days of purchase date, BakeMax will pay all shipping charges. Once the machine is received and repaired it will be returned to the user at BakeMax expense. Freight Damages during return shipping is the responsibility of the owner of the machine.

The following is not covered under the BakeMax Warranty:

1. Overtime Labor Rates are not covered by BakeMax.
2. All parts will be shipped via Ground Courier only; If Express Shipping is required, it will be the responsibility of the Customer or Dealer.
3. Travel for Warranty Service is covered up to 100 Miles /160 Km Roundtrip, any further mileage will be the responsibility of the Customer or Dealer.
4. There is no on-site Warranty Service for Residential Addresses or addresses outside of the contiguous United States (*Lower 48*) or Canada.

***BakeMax machines sold outside of the contiguous United States (Lower 48), or Canada will carry 1-Year Parts Warranty only.*

Terms & Conditions

Terms

Net 15 days subject to Credit Approval. All past due Accounts are subject to 2% per month Service Charge as per Credit Application. We accept Visa, MasterCard, and Discover Credit Cards. We also accept E-Transfer & Wire Transfer, additional fees may apply.

Pricing

All prices are subject to change without notice. All prices are Sales Tax Extra, should you be claiming Tax Exemption, Tax Exempt Forms must accompany your Purchase Order. BakeMax products are sold in Canadian and US Dollars. BakeMax is not responsible for specifications errors or printing errors.

Shipping

Free shipping to Canada and the U.S. Minimum order \$6,000 for BakeMax and \$10,000 for BakeMax America Cooking Line. Tailgate Delivery is \$90.00 minimum. All checks made Payable to Titan Ventures International Inc. BakeMax is not responsible for goods damaged during shipping. BakeMax is not responsible for any delays in delivery once product has left our Warehouse and is in the carrier's possession. Products shipped are to be inspected at time of delivery, the receiver is responsible for inspection. Damaged Freight Claims are to be claimed with the carrier. BakeMax assumes no responsibility for Damaged Freight. Shipping Insurance available by request. By signing your name on the delivery receipt without noting any damages, you are stating that you have received your shipment in Acceptable Condition.

Return Policy

Returns will not be Approved unless in Writing. Returns must be made within 30-Days of Purchase and must have a Return Authorization Number issued before returning. The purchase order number, reason for return, and the serial number(s) of the unit are required for the Return Authorization Number. Minimum return amount of \$100.00.

Returns are subject to a minimum restocking fee of 30%. The cost of any repairs or re-crating required will be charged back to the dealer. If there is a manufacturer's defect BakeMax® will pay standard freight returned and prepaid shipping back to the customer.

Special Order Items, Clearance / Discontinued Equipment, Parts, Refurbished/Demo Equipment, or Non-Standard items are not Returnable.

Ordering Information

Send purchase orders to BakeMax via e-mail orderdesk@bakemax.com or Fax (506-859-6929). Use Model or Part number when ordering including Voltage Requirements, and Product Description. Please include the Dealer, Name, Address, terms, special delivery, or instructions required or attention names to be applied to packaging. Please notify BakeMax should you need order confirmation or tracking numbers, by calling 1-800-565-2253 or email orderdesk@bakemax.com.

Special Terms and Conditions

BakeMax reserves the right to make improvements or equipment changes without prior permission. Setup and Installation are the end user's Responsibility. Failure to properly Install or Maintain Equipment may Void Warranty.

Catalog, Spec Sheets and Website

BakeMax is not liable for incorrect information found in our Catalog, Spec Sheets or Website. Please contact us to confirm specifications. Pictures and specifications are for general purposes only. Product may not be exactly as shown. Prices and availability may change at any time without notice. Dimensions shown may change at any time without notice.