



www.BakeMax.com

Project: _____

Item: _____

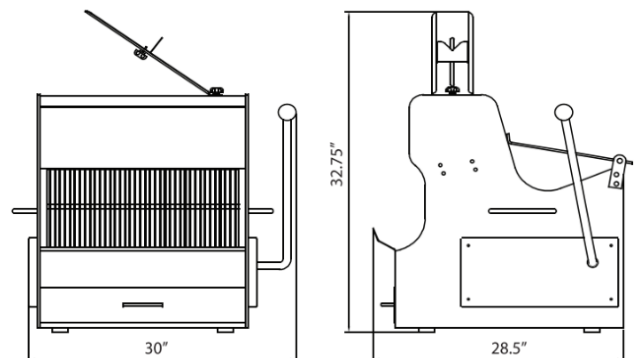
Qty: _____ Date: _____

BakeMax BMSS001 Artisan Safety Bread Slicer

The BakeMax BMSS001 Artisan Safety Bread Slicer is a reliable high-quality tabletop slicer that can be used for continuous operation. While using this slicer, you are protected by an interlocked safety feeding guard which operates in conjunction with a safety loaf pusher system that is powered by a 1/2 HP motor. When the operating handle is in use the safety guard covers closely, and a safety loaf pusher passes each loaf completely through the slicer blades. A packing shelf is provided. It is recommended that the fitted crumb drawer be emptied at regular intervals to prevent mechanical failure. for Great for all types of breads and suitable Bakeries, Supermarkets, Hotels, Restaurants and more. Includes last loaf pusher and bread bagger.

Features:

- Attractive Space Saving Countertop Design
- Gravity Feed Chute can hold Multiple Loaves at a time
- Slices up to 120 loaves of bread per hour regardless of manual operation time
- Powerful 1/2 HP Motor able to slice hard crusted breads
- Interlocked Safety Feeding Guard
- Safety Guard Closes Automatically when the operating handle is in use
- Capable of Slicing Bread up to 15" wide and 6" high
- Crumb drawer is fitted for collecting excess crumbs.
- Last Loaf Pusher keeps hands clear from cutting blades
- Includes a Bagging Scoop bags bread with ease
- 26 High Quality Premium Slicing Blades
- 5/8" Slicing Thickness
- Meets All Quebec Safety Standards
- Electrical: 120V / 375W / 8A / 60Hz / 1Ph
- Exterior Dimensions (W x D x H): 30" x 28.5" x 32.75"
- Shipping Dimensions (W x D x H): 40" x 40" x 41"
- Product Weight: 253lbs, Crated Weight: 360lbs.
- 1-Year Limited Warranty



** Due to continuous product improvement, specifications are subject to change without notice.

BakeMax® / Titan Ventures International Inc.

Warehouses:

20 Caribou St, Moncton, NB E1H 0P3
 5705 Valley Belt Rd Independence, OH 44131
 1201 E 27th Terrace Pittsburg, KS 66762

Toll Free: 1-800-565-BAKE (2253)

Phone: 506-858-8990

Fax: 506- 859-6929

Email: Sales@BakeMax.com