



Parts Breakdown
Euro Smart Sheeter
BMTPS16

BMTPS16-1

ALL. 3

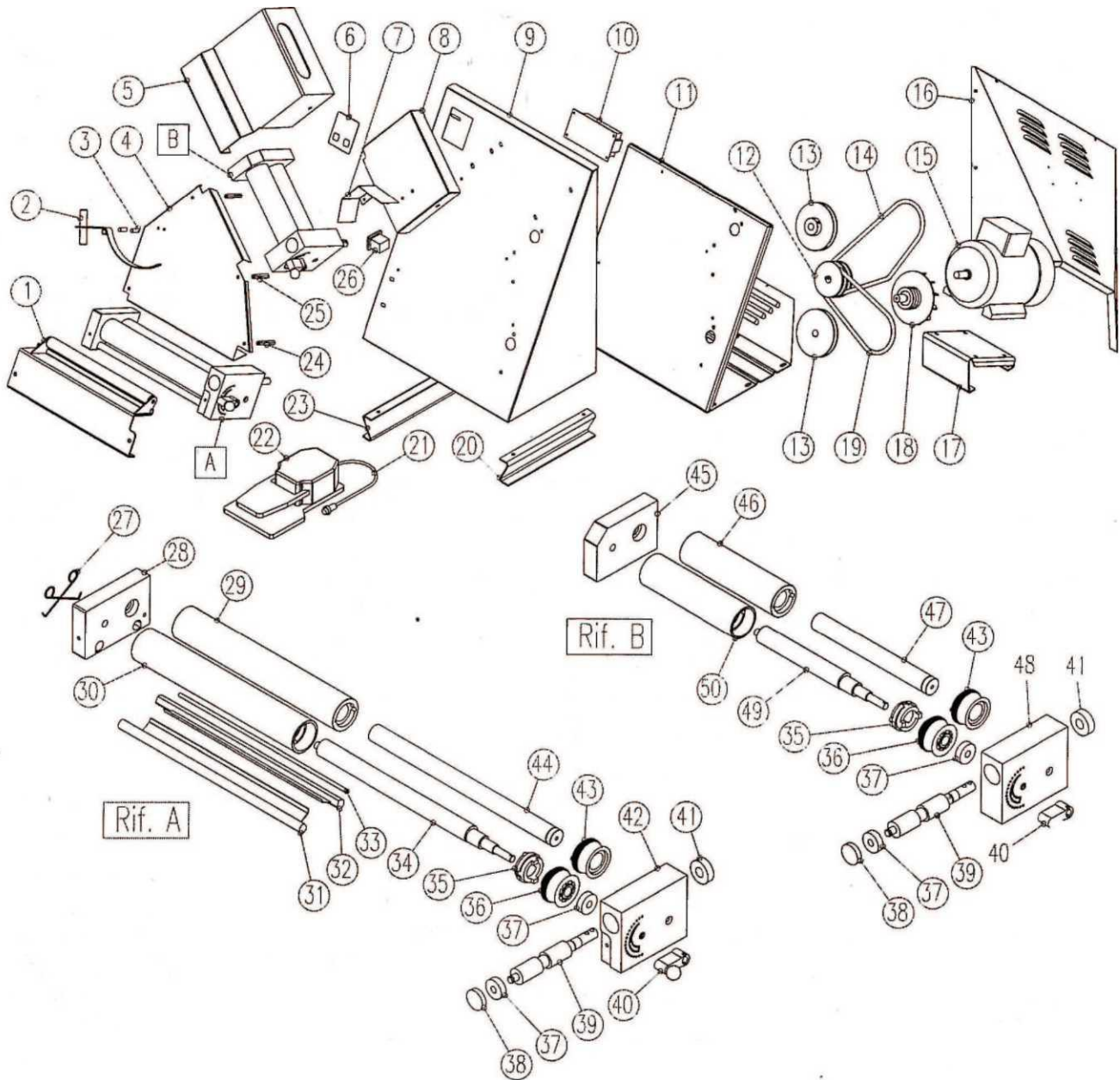


Image ALL.3

1	LOWER SAFETY DEVICE
2	SCALES
3	SCALE PIVOTS
4	PIZZA CHUTE
5	UPPER SAFETY DEVICE
6	CONTROLS
7	PLATE
8	DOUGH BALL ROLLER
9	FRAME
10	POWER CONTROL
11	SUPPORT
12	TWO GROOVE PULLEY
13	ONE GROOVE PULLEY
14	LONG BELT
15	MOTOR
16	BACK CASING
17	SUPPORT MOTOR
18	FAN UNIT
19	SHORT BELT
20	BASE
21	PEDAL CABLE
22	PEDAL
23	BASE
24	LOWER CHUTE DISTANCE PIECE
25	UPPER CHUTE DISTANCE PIECE
26	MAIN SWITCH
27	SOFT PASTA SCRAPER
28	BLOCK
29	INTERNAL ROLLER
30	EXTERNAL ROLLER
31	OUTER PASTA SCRAPER
32	INTERNAL PASTA SCRAPER
33	PROTECTION BAR
34	EXTERNAL SHAFT
35	SPIDER COUNTERSPIDER KIT
36	EXTERNAL GEARS
37	BEARING 6200
38	STOPPER
39	WORM SCREW
40	REGULATOR
41	BEARING 6202
42	BLOCK
43	INTERNAL GEARS
44	INTERNAL SHAFT
45	BLOCK
46	INTERNAL ROLLER
47	INTERNAL SHAFT
48	BLOCK
49	EXTERNAL SHAFT
50	EXTERNAL ROLLER
A	LOWER BLOCK
B	UPPER BLOCK