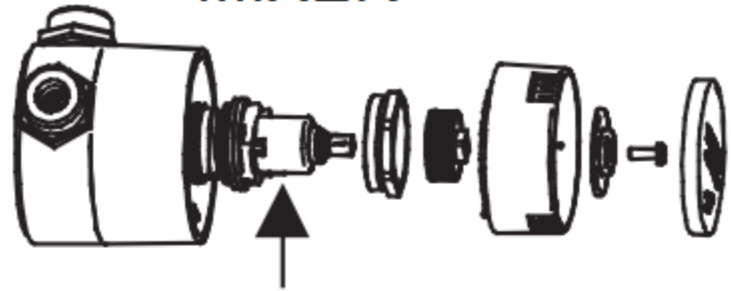
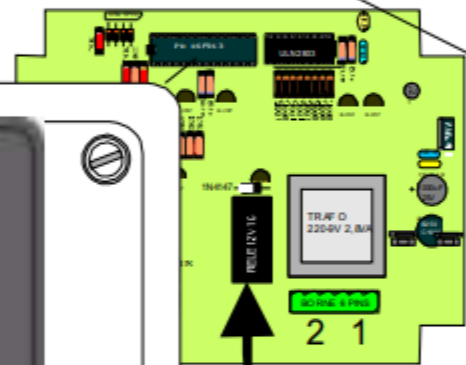
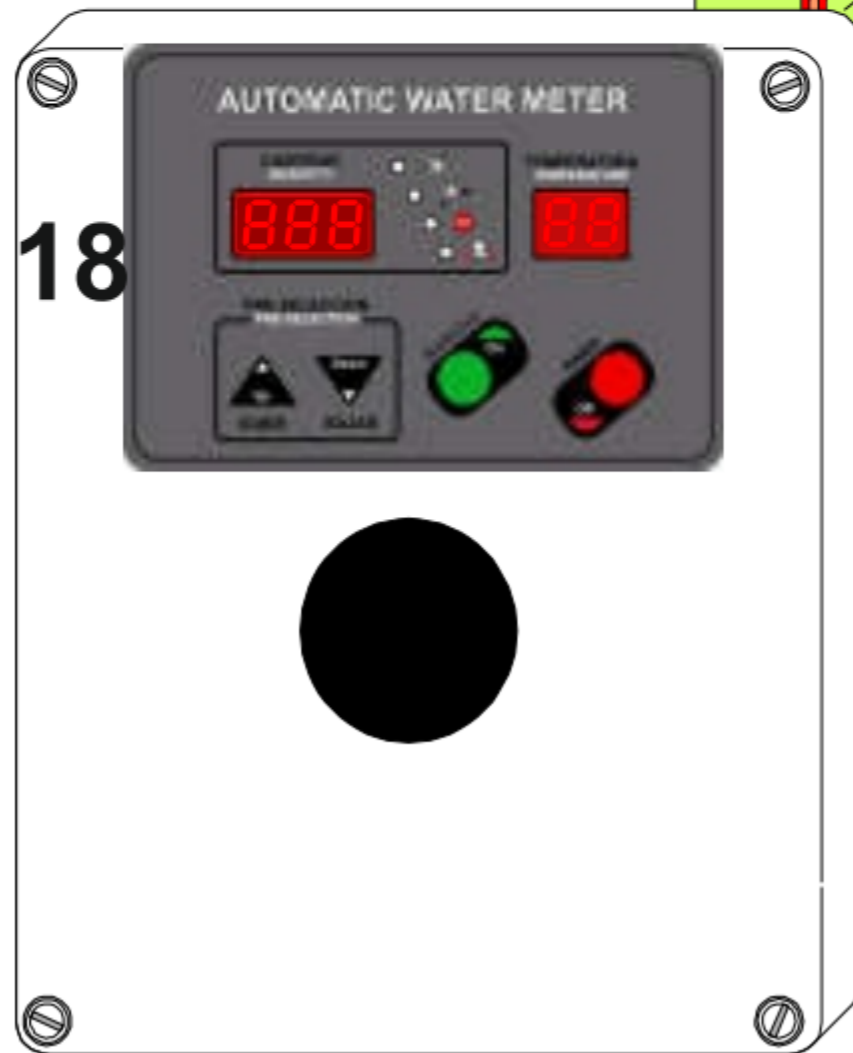


BMWM015 & BMWMS15 Parts Breakdown

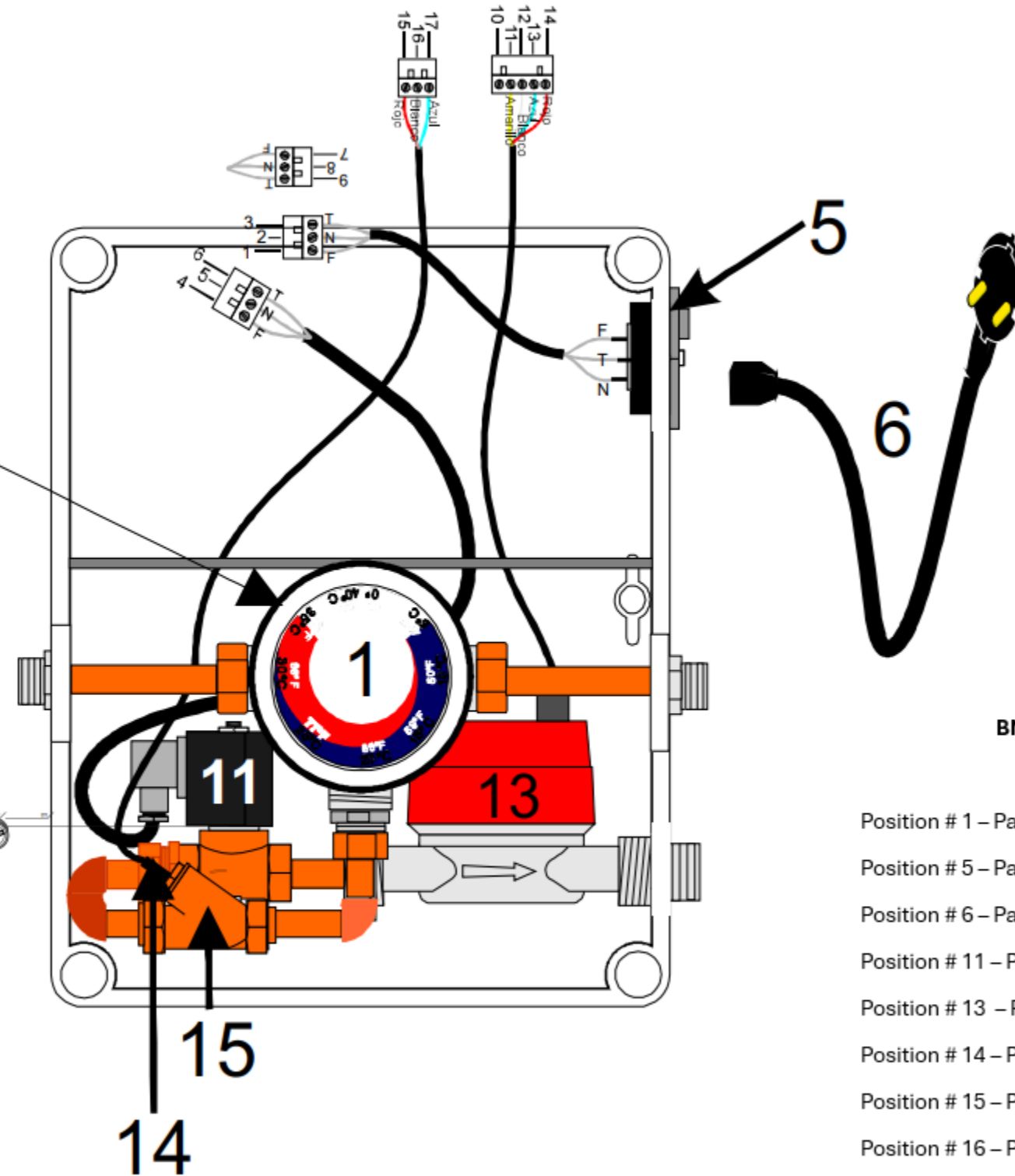
MIXER



17-INTERNAL CARTRIDGE



16



BMWM015 Water Meter Parts List

- Position # 1 – Part # WM015/001 – AUTOMATIC WATER MIXER
- Position # 5 – Part # WM015/005 – SWITCH AND PROTECTION FUSE
- Position # 6 – Part # WM015/006 – POWER SUPPLY CABLE
- Position # 11 – Part # WM015/011 – SOLENOID COIL & VALVE
- Position # 13 – Part # WM015/013 – LITERS SENSOR (HOT WATER DOSER)
- Position # 14 – Part # WM015/014 – TEMPERATURE SENSOR
- Position # 15 – Part # WM015/015 – WATER FILTER
- Position # 16 – Part # WM015/016 – POWER CONTROL BOARD
- Position # 17 – Part # WM015/017 – THERMOSTATIC MIXER CARTRIDGE
- Position # 18 – Part # WM015/018 – FRONT COVER WITH KEYBOARD