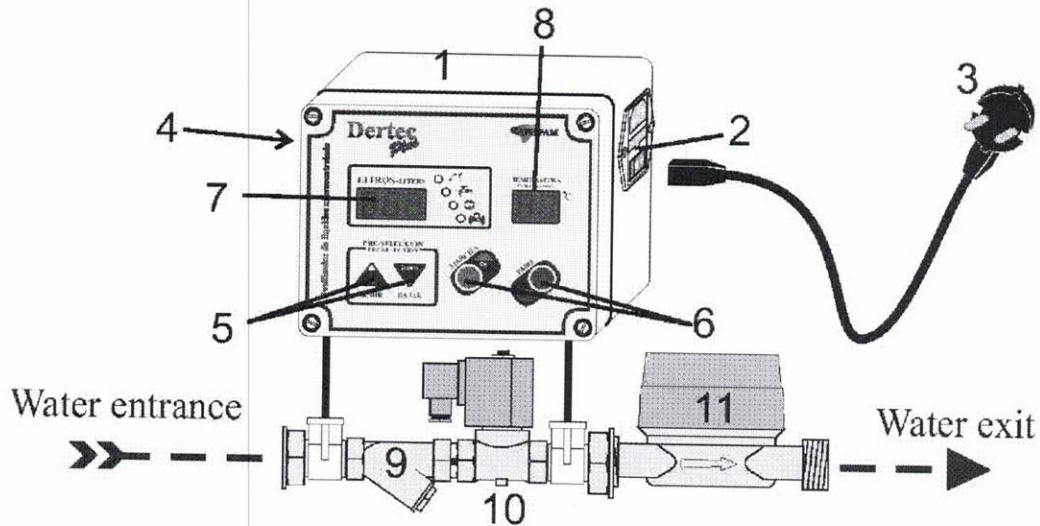


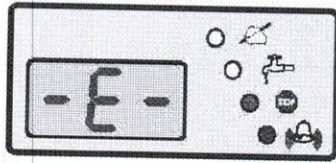
EQUIPMENT PARTS



- 1.-ELECTRONIC BOX
- 2.-SWITCH AND PROTECTION FUSE
- 3.- POWER SUPPLY CABLE
- 4.- AUXILIAR EXIT (Opcional)
- 5.-PRESELECTION LITERS BUTTON
- 6- ON AND OFF BUTTON
- 7.-LITERS/GALLONS DISPLAY
- 8.-THERMOMETER
- 9.-WATER FILTER
- 10-ELECTROVÁLVE
- 11-LITERS SENSOR

WARNING OF FAILURE OF ELECTROVALVE

1. The dispenser will stop if it detects liquid passage by the electrovalve during stop. It will activate the acoustic alarm signal and will display the error message -E -.

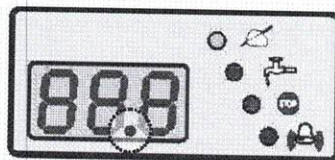


2. To deactivate the alarm signal, press the OFF key.
3. Disconnect the water meter from the power supply and repair the electroválve as soon as possible.

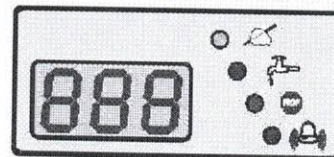
CONFIGURATION

DISPENSER DECIMAL- NO DECIMAL

1. Switch off the watermeter, move power switch to position 1.
2. When the screen displays '888', hold OFF button during 3 seconds.



DECIMAL



NO DECIMAL

3. Repeat steps 1 and 2 to go back to dosage without decimal.

NOTE: If the decimal point appears in the screen, the dispenser is prepared to work like decimal 99,9.