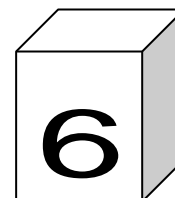
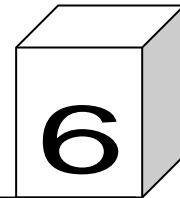


6. PARTS CATALOGS

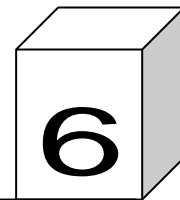


6-1. PARTS CATALOGS FLOOR TYPE

NO.	MAME	NO.	MAME
1	key	2	Shaft sprocket
3	Deep groove ball bearing 6004ZZ	4	Bearing block
5	Shaft sprocket	6	Chain
7	Chain	8	Pin bearing FC-20
9	Deep groove ball bearing 6002ZZ	10	C. Retainer ring S-17
11	Stay	12	Chain
13	Shaft sprocket	14	Chain
15	Chain	16	Spacers
17	Washer, flat	18	Bolt
19	Support bracket	20	Rear panel
21	Rear casing	22	Deep groove ball bearing 6205ZZ
23	C. Retainer ring R-52	24	Chain
25	C. Retainer ring S-70	26	Expansion spring
27	Connecting board	28	Lever ring
29	Chain	30	Chain
31	Deep groove ball bearing 6205ZZ	32	Chain
33	Motor	34	Conveyor belt
35	Bolt, adjustable	36	Left support bracket
37	Right support bracket	38	Extension catch pan

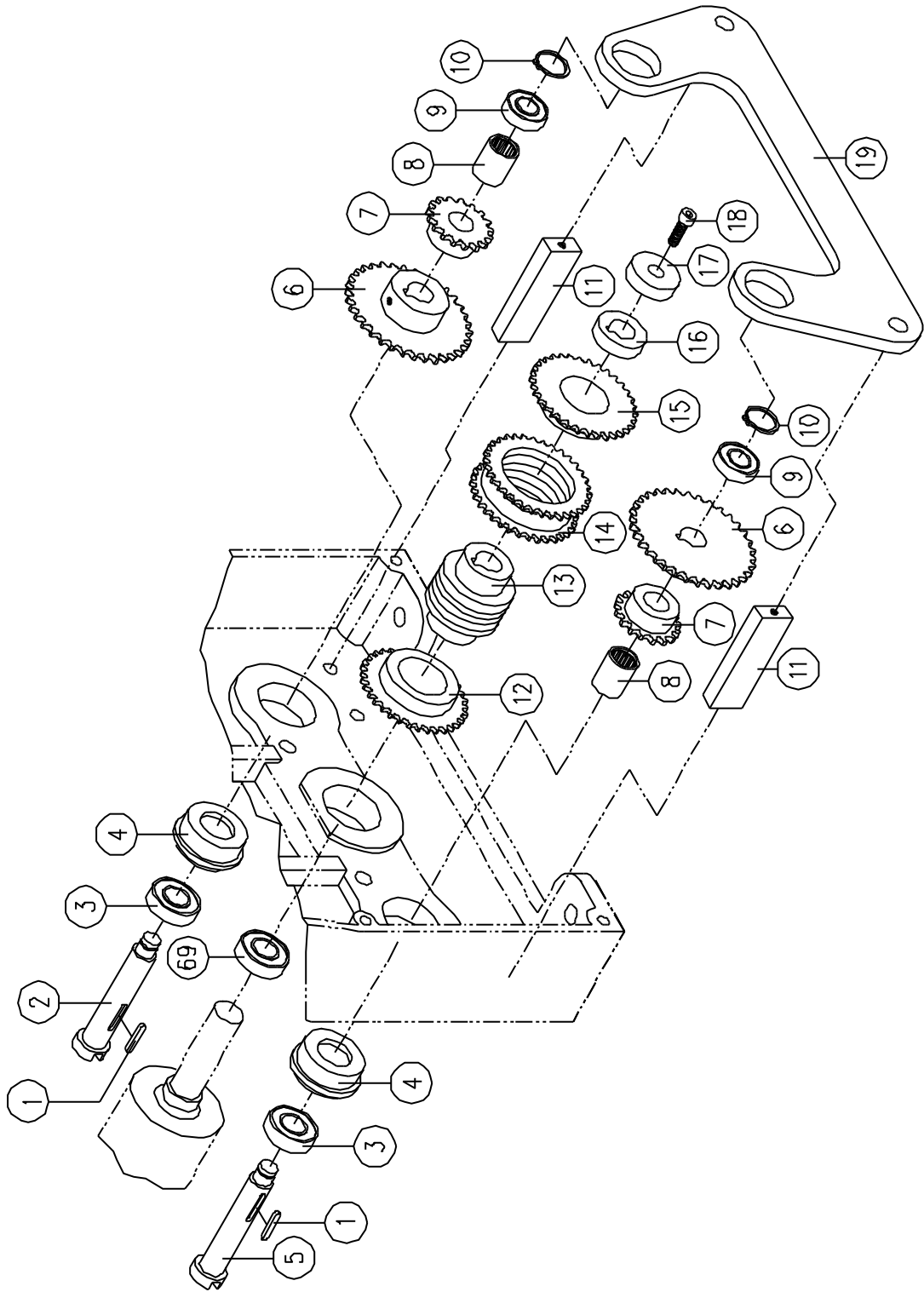


NO.	MAME	NO.	MAME
39	Shaft, driven	40	C. Retainer ring S-17
41	Deep groove ball bearing 6203ZZ	42	Roller
43	Base	44	Connecting rod
45	Left support bracket	46	Right support bracket
47	Base	48	Bearing block
49	Deep groove ball bearing 6003ZZ	50	Thrust ball bearing 51203
51	Shaft, roll	52	Bearing block
53	Axle, supporting	54	Nut
55	Seat, sliding	56	Deep groove ball bearing 6205ZZ
57	Up roller	58	Bolt, adjustable
59	Lever, dead	60	Link mass
61	Torsional spring	62	Bar, fulcrum
63	Strickle sweep	64	Bar, fulcrum
65	Front casing	66	Roller head housing
67	Stop pin	68	Safety guard
69	Deep groove ball bearing 6205ZZ	70	Down roller
71	Strickle sweep	72	Bolt, support
73	Bolt, anchor block	74	Set screw
75	Expansion spring	76	Rings
77	Trigger	78	Microswitch
79	Bolt, hexagon head	80	Washer, spring

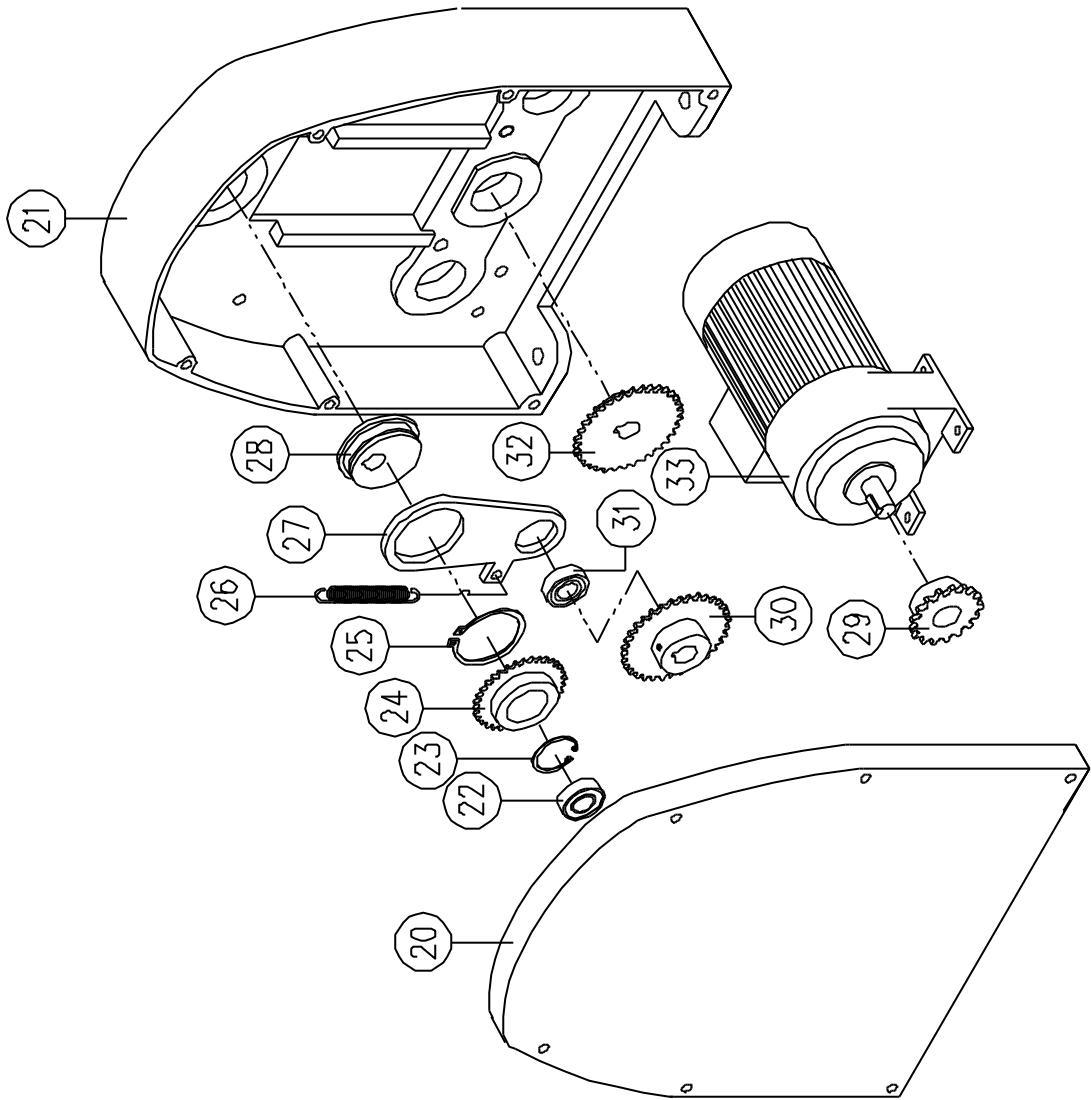


NO.	MAME	NO.	MAME
81	Washer, flat	82	Trigger
83	Microswitch	84	Bolt
85	Compression spring	86	Ball
87	Fixed support	88	Locating mass
89	Movement control lever	90	Bolt, shaft
91	C. Retainer ring S-25	92	Connecting board
93	Graduated scale	94	Finger
95	Handle base	96	Front panel
97	Washer, flat	98	Handle
99	Spacers	100	Spacers
101	Bolt cover	102	Pin
103	Compression spring	104	Trigger, locking pin
105	Locking mass	106	Rail rest
107	Bolt, cheese head	108	

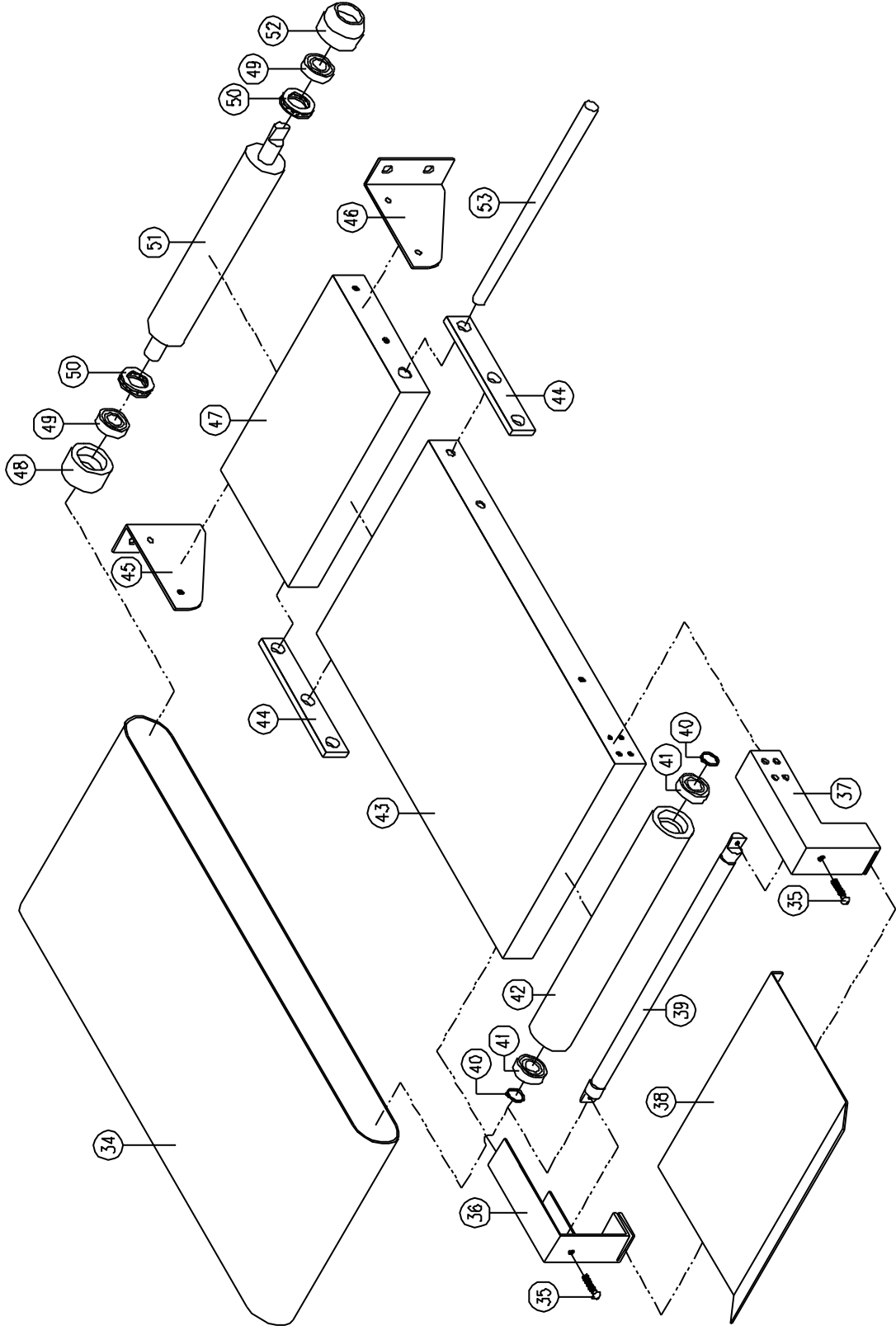
FLOOR TYPE



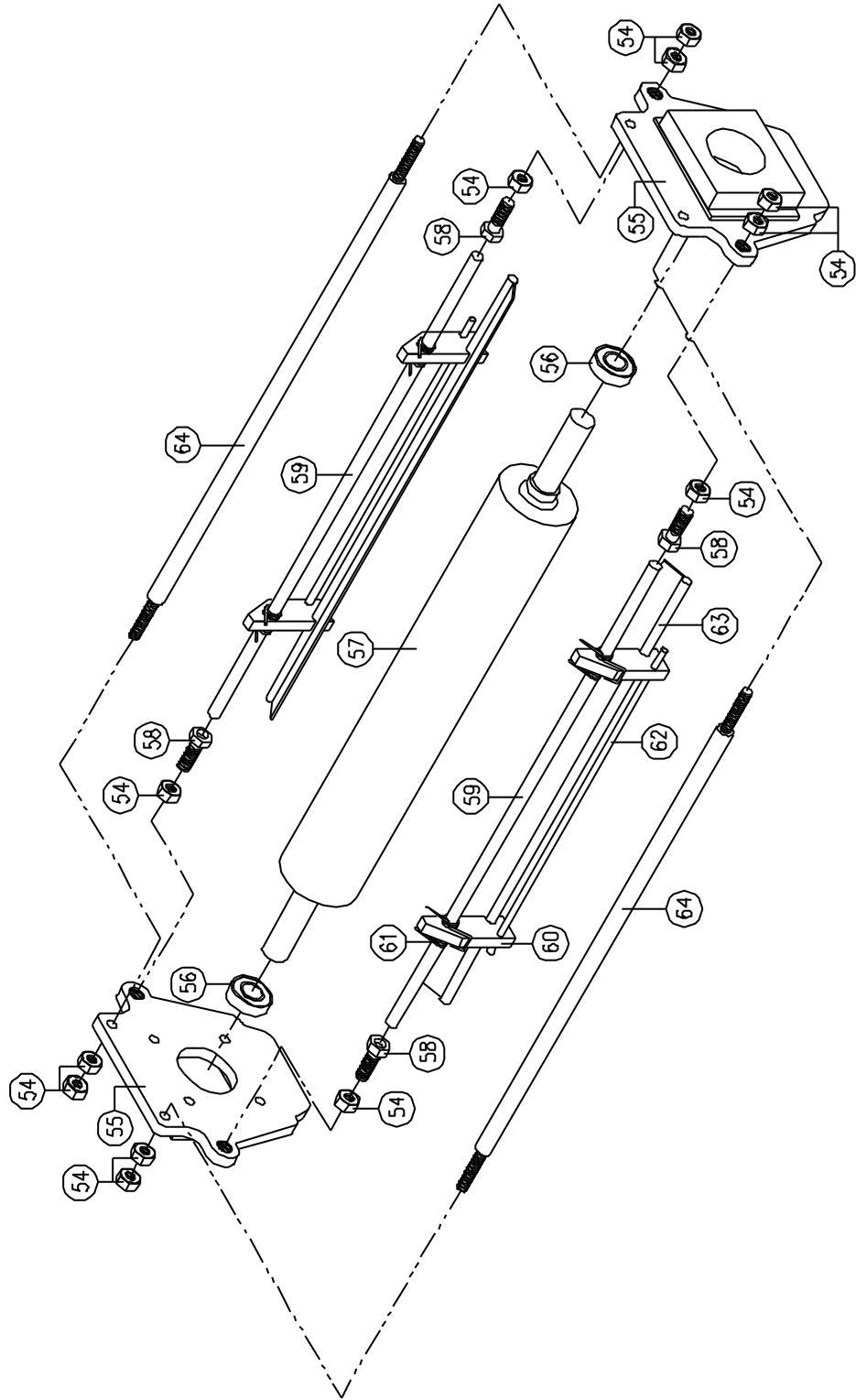
FLOOR TYPE



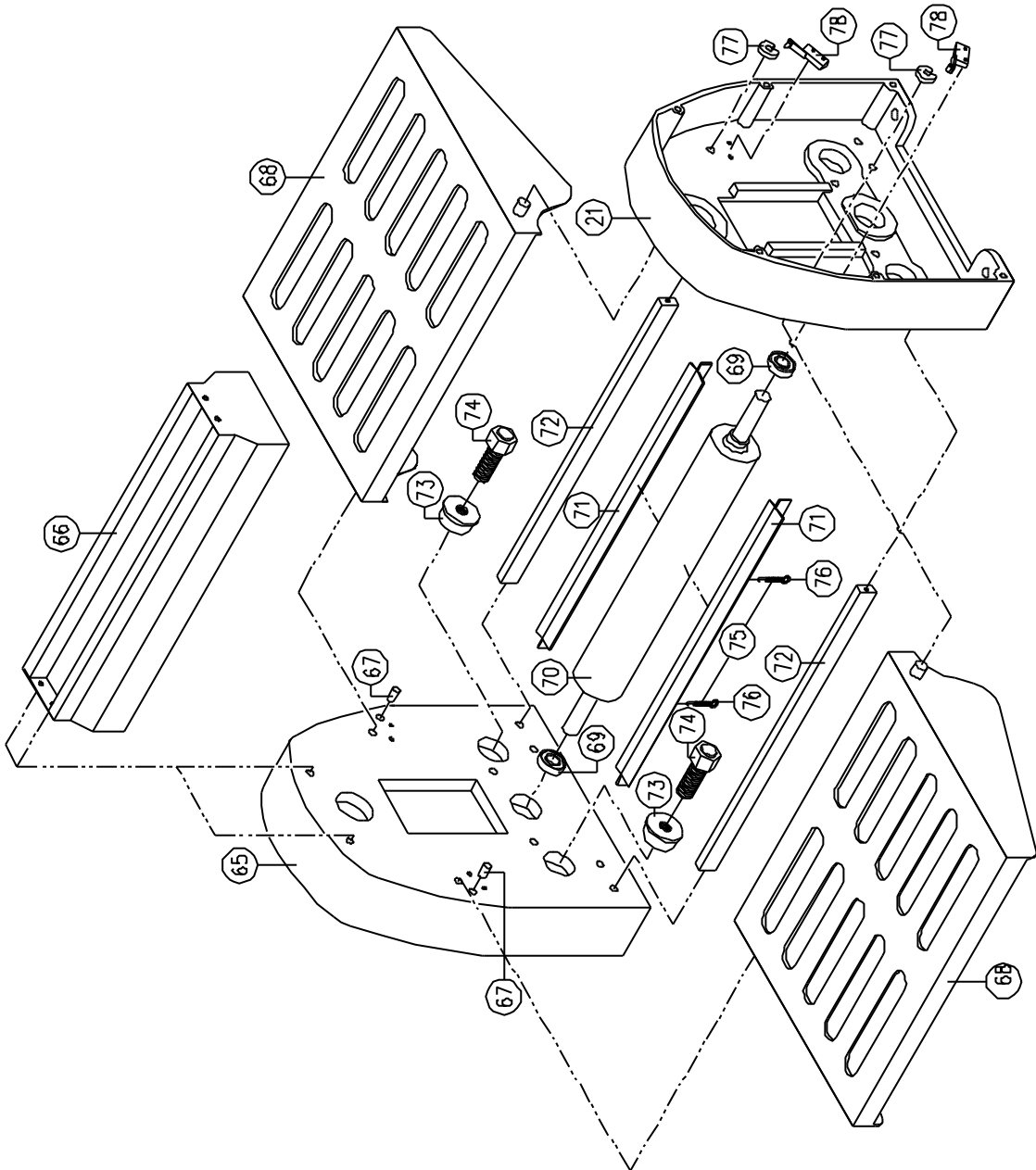
FLOOR TYPE



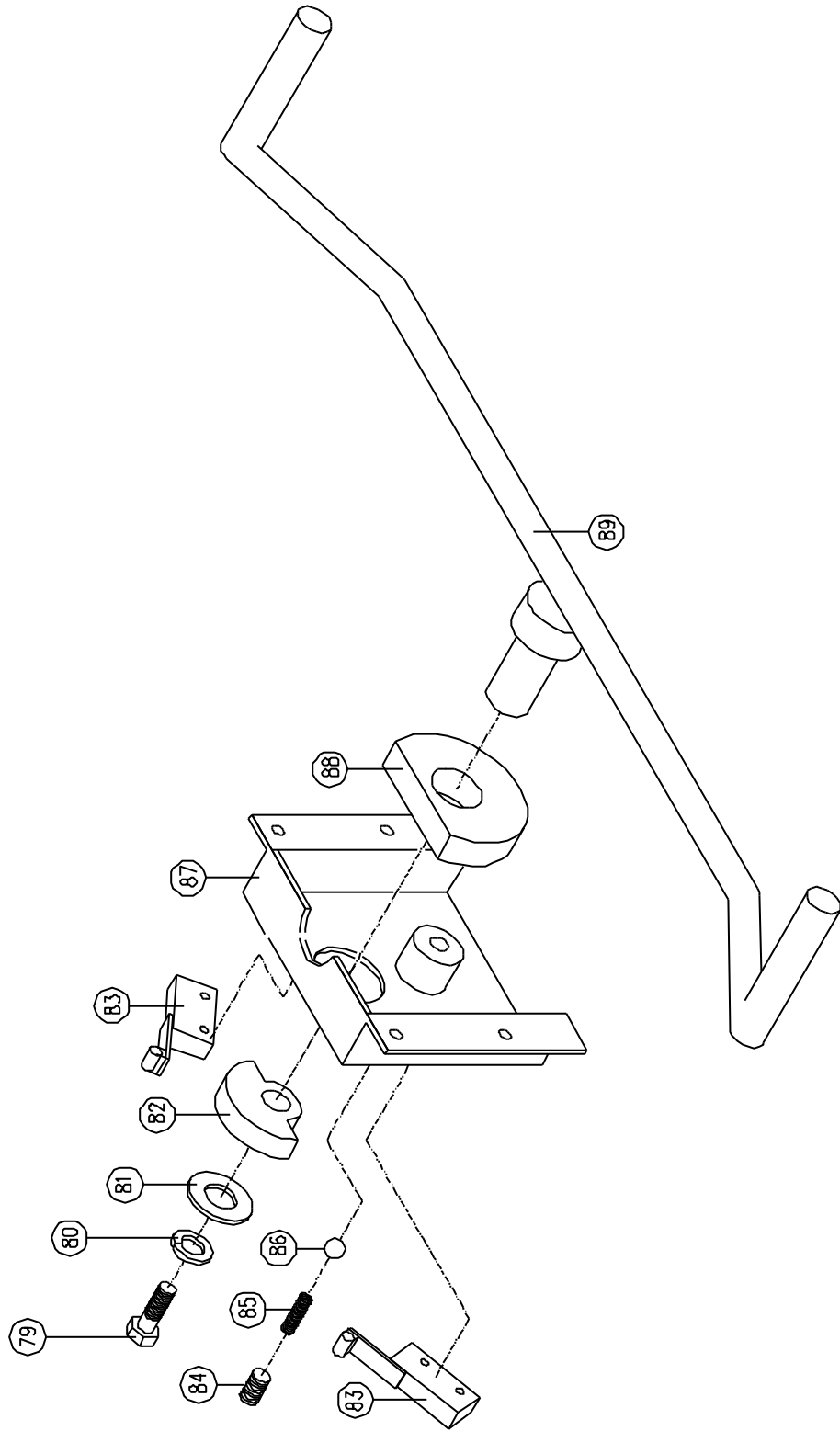
FLOOR TYPE



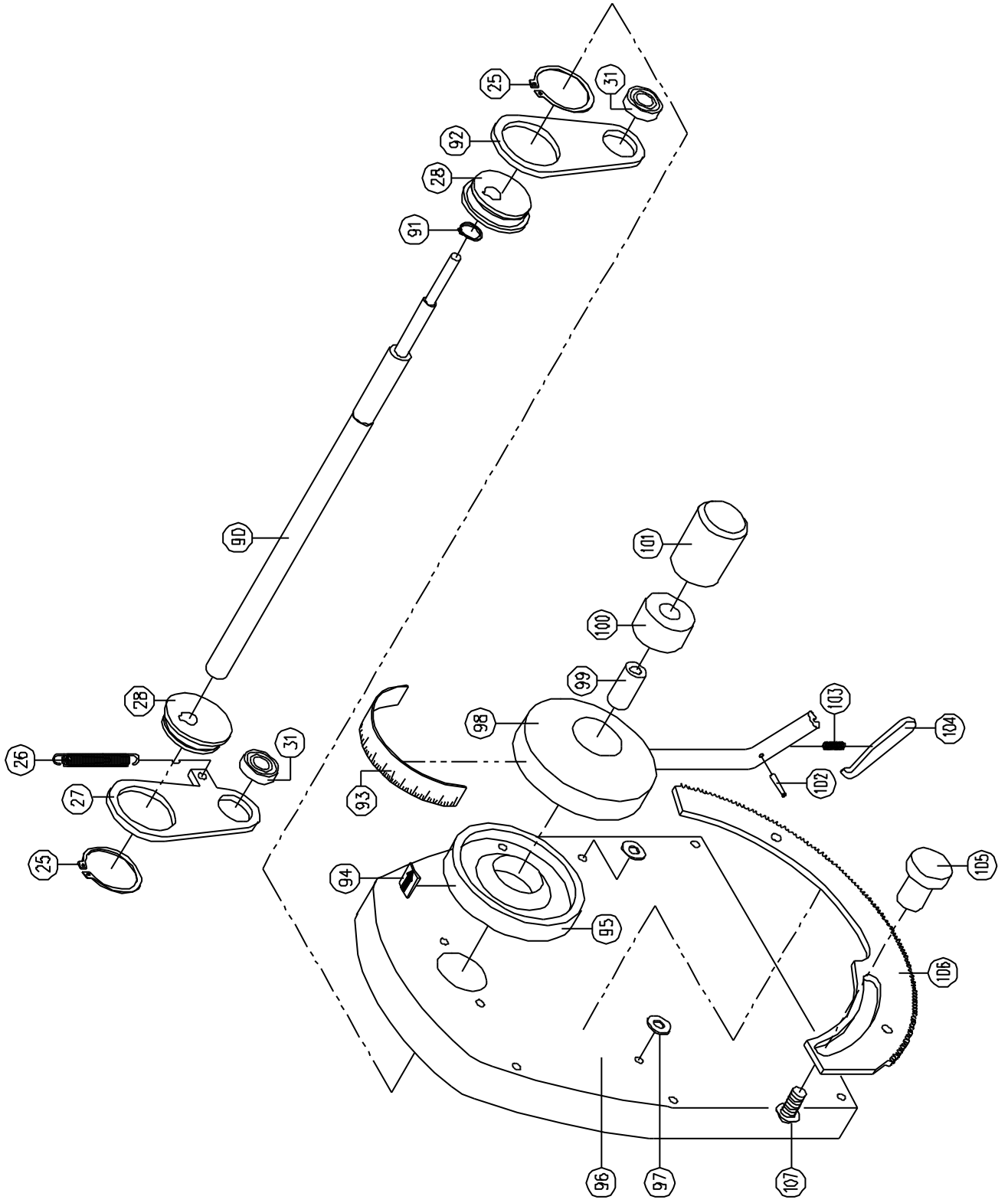
FLOOR TYPE

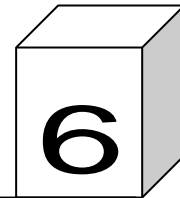


FLOOR TYPE



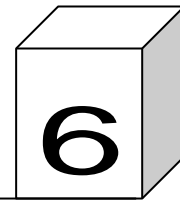
FLOOR TYPE



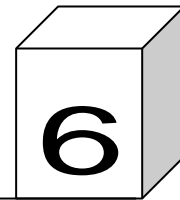


BENCH TYPE

NO.	MAME	NO.	MAME
1	key	2	Shaft sprocket
3	Deep groove ball bearing 6004ZZ	4	Bearing block
5	Shaft sprocket	6	Chain
7	Chain	8	Pin bearing FC-20
9	Deep groove ball bearing 6003ZZ	10	C. Retainer ring S-17
11	Stay	12	Chain
13	Shaft sprocket	14	Chain
15	Chain	16	Spacers
17	Washer, flat	18	Bolt
19	Support bracket	20	Rear panel
21	Rear casing	22	Deep groove ball bearing 6205ZZ
23	C. Retainer ring R-52	24	Chain
25	C. Retainer ring S-70	26	Expansion spring
27	Connecting board	28	Lever ring
29	Chain	30	Chain
31	Deep groove ball bearing 6205ZZ	32	Chain
33	Motor	34	Conveyor belt
35	Bolt, adjustable	36	Left support bracket
37	Right support bracket	38	Extension catch pan

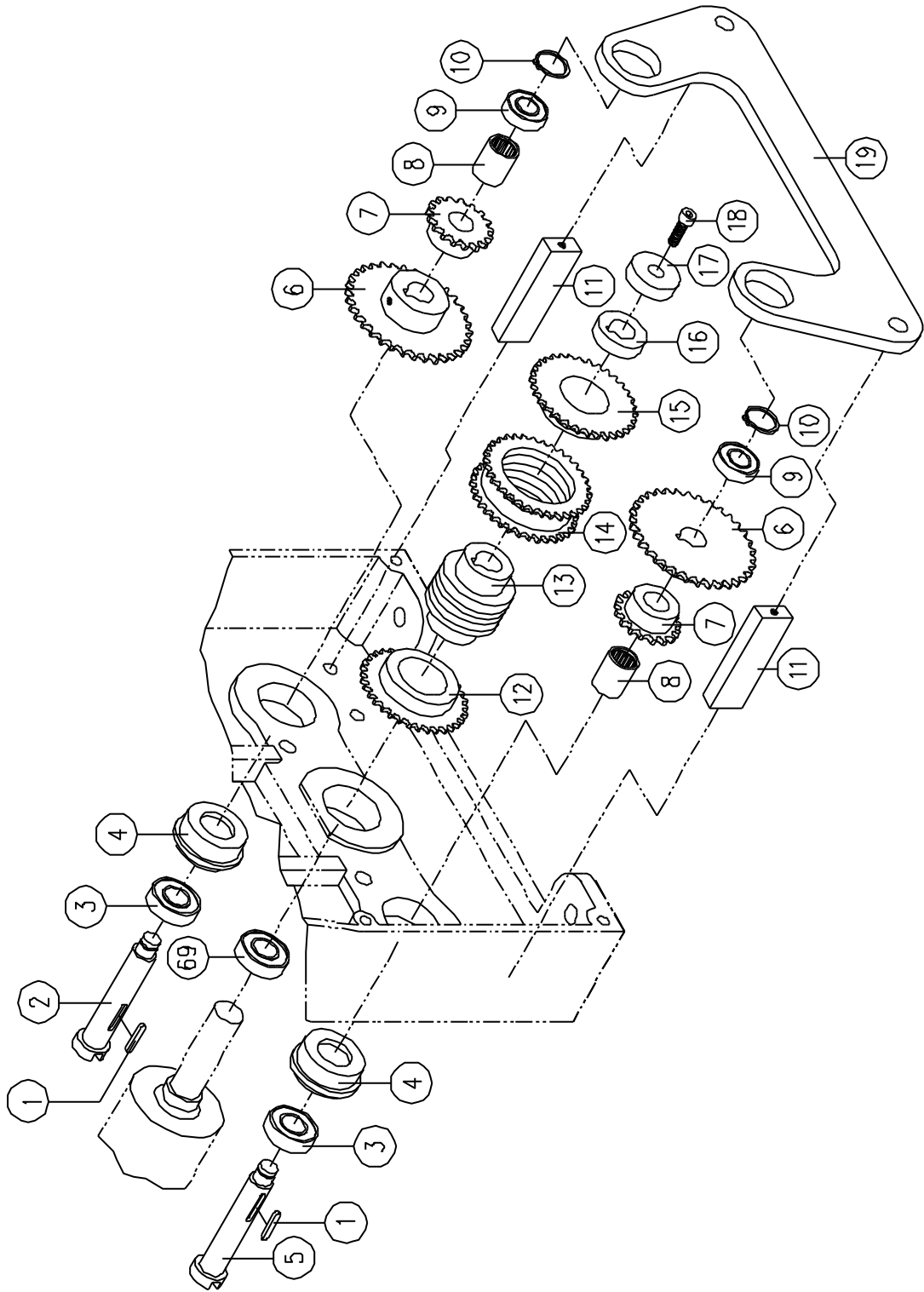


NO.	MAME	NO.	MAME
39	Shaft, driven	40	C. Retainer ring S-17
41	Deep groove ball bearing 6203ZZ	42	Roller
43	Base	44	Connecting rod
45	Left support bracket	46	Right support bracket
47	Base	48	Bearing block
49	Deep groove ball bearing 6003ZZ	50	Thrust ball bearing 51203
51	Shaft, roll	52	Bearing block
53	Axle, supporting	54	Nut
55	Seat, sliding	56	Deep groove ball bearing 6205ZZ
57	Up roller	58	Bolt, adjustable
59	Lever, dead	60	Link mass
61	Torsional spring	62	Bar, fulcrum
63	Strickle sweep	64	Bar, fulcrum
65	Front casing	66	Roller head housing
67	Stop pin	68	Safety guard
69	Deep groove ball bearing 6205ZZ	70	Down roller
71	Strickle sweep	72	Bolt, support
73	Bolt, anchor block	74	Set screw
75	Expansion spring	76	Rings
77	Trigger	78	Microswitch
79		80	

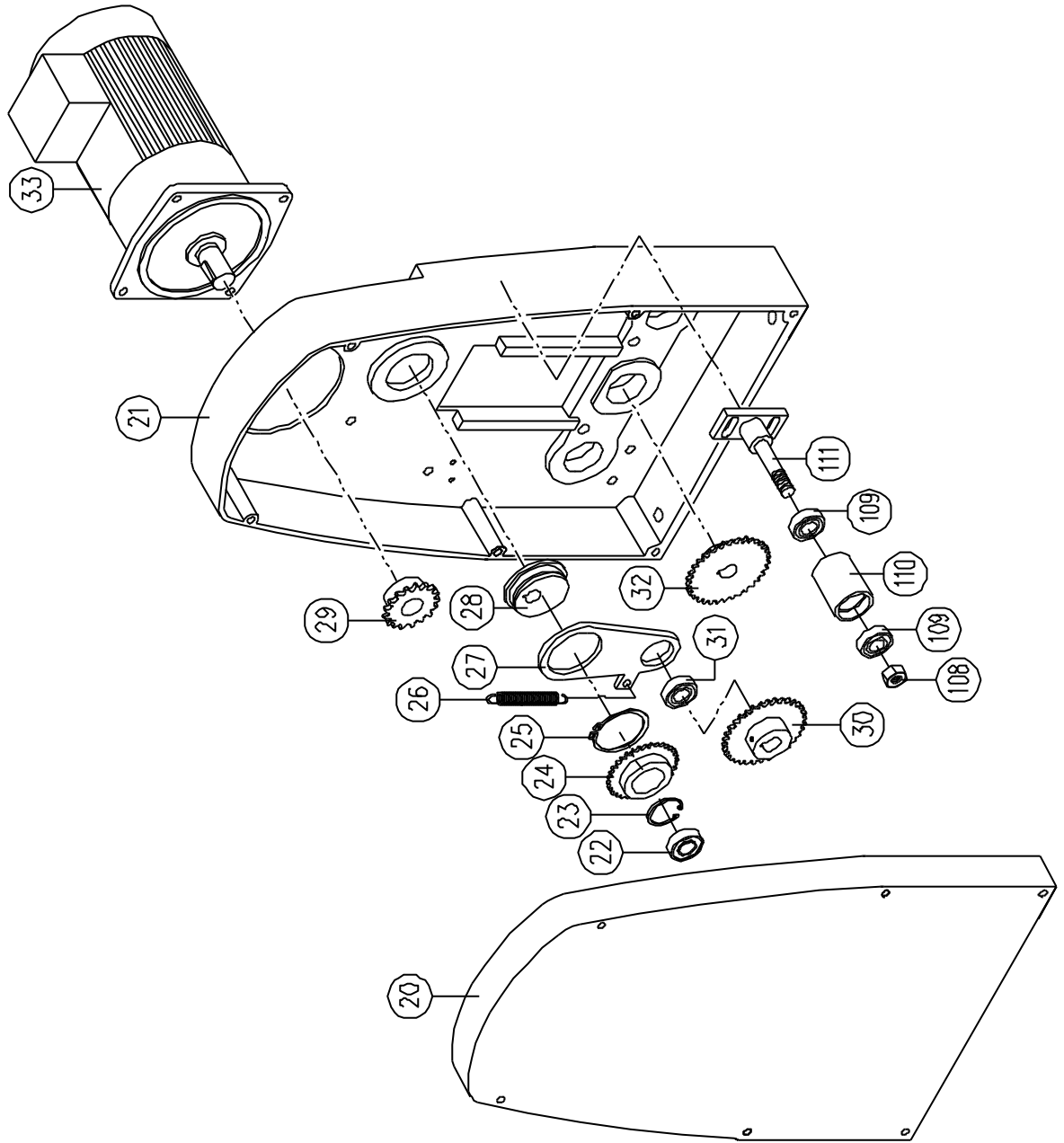


NO.	MAME	NO.	MAME
81		82	
83	Microswitch	84	Bolt
85	Compression spring	86	Ball
87		88	Locating mass
89	Movement control lever	90	Bolt, shaft
91	C. Retainer ring S-25	92	Connecting board
93	Graduated scale	94	Finger
95	Handle base	96	Front panel
97	Washer, flat	98	Handle
99	Spacers	100	Spacers
101	Bolt cover	102	Pin
103	Compression spring	104	Trigger, locking pin
105	Locking mass	106	Rail rest
107	Bolt, cheese head	108	Nut
109	Deep groove ball bearing 6003ZZ	110	Idler wheel
111	Fixed base	112	Fixed board
113	Locating mass	114	

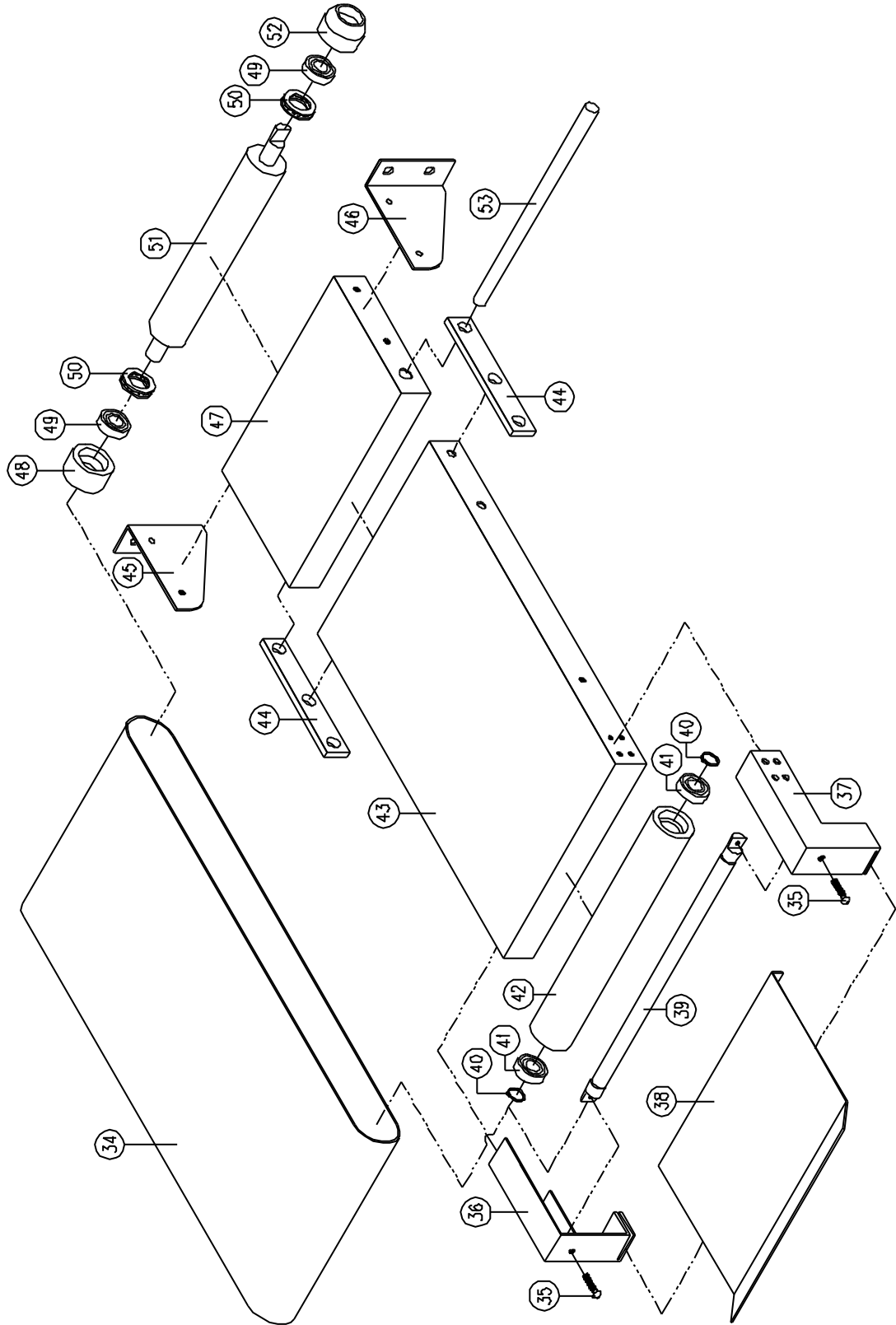
BENCH TYPE



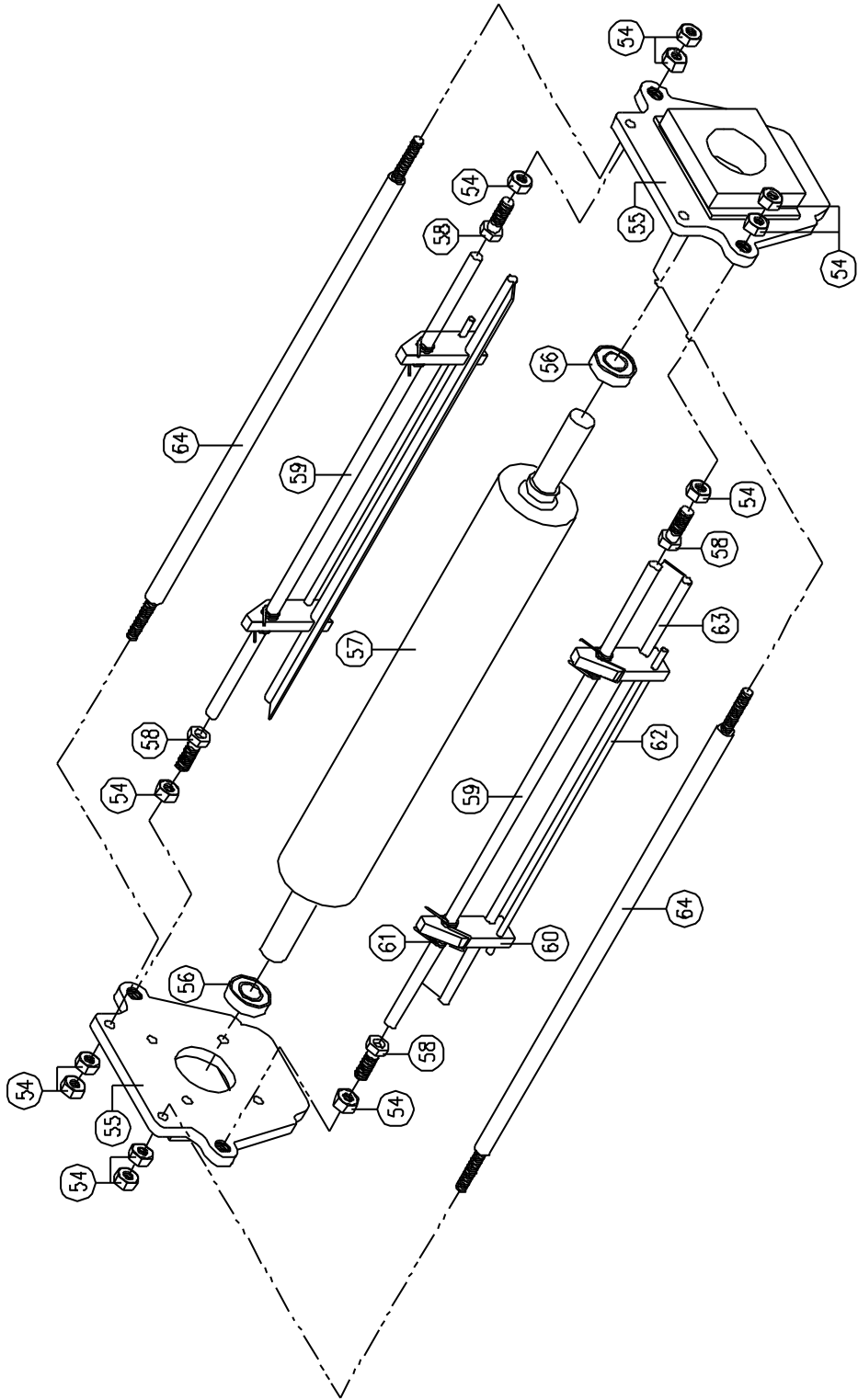
BENCH TYPE



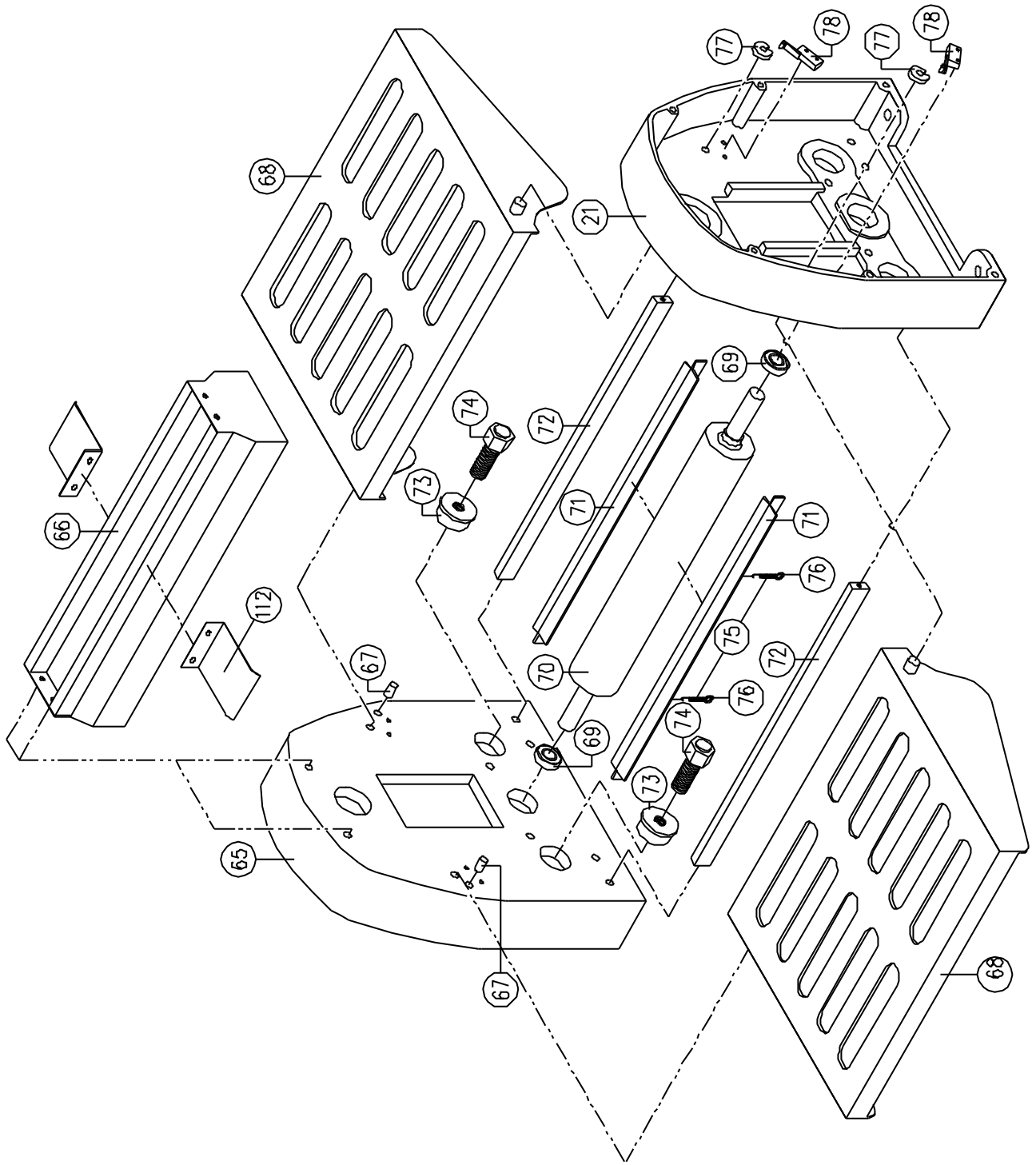
BENCH TYPE



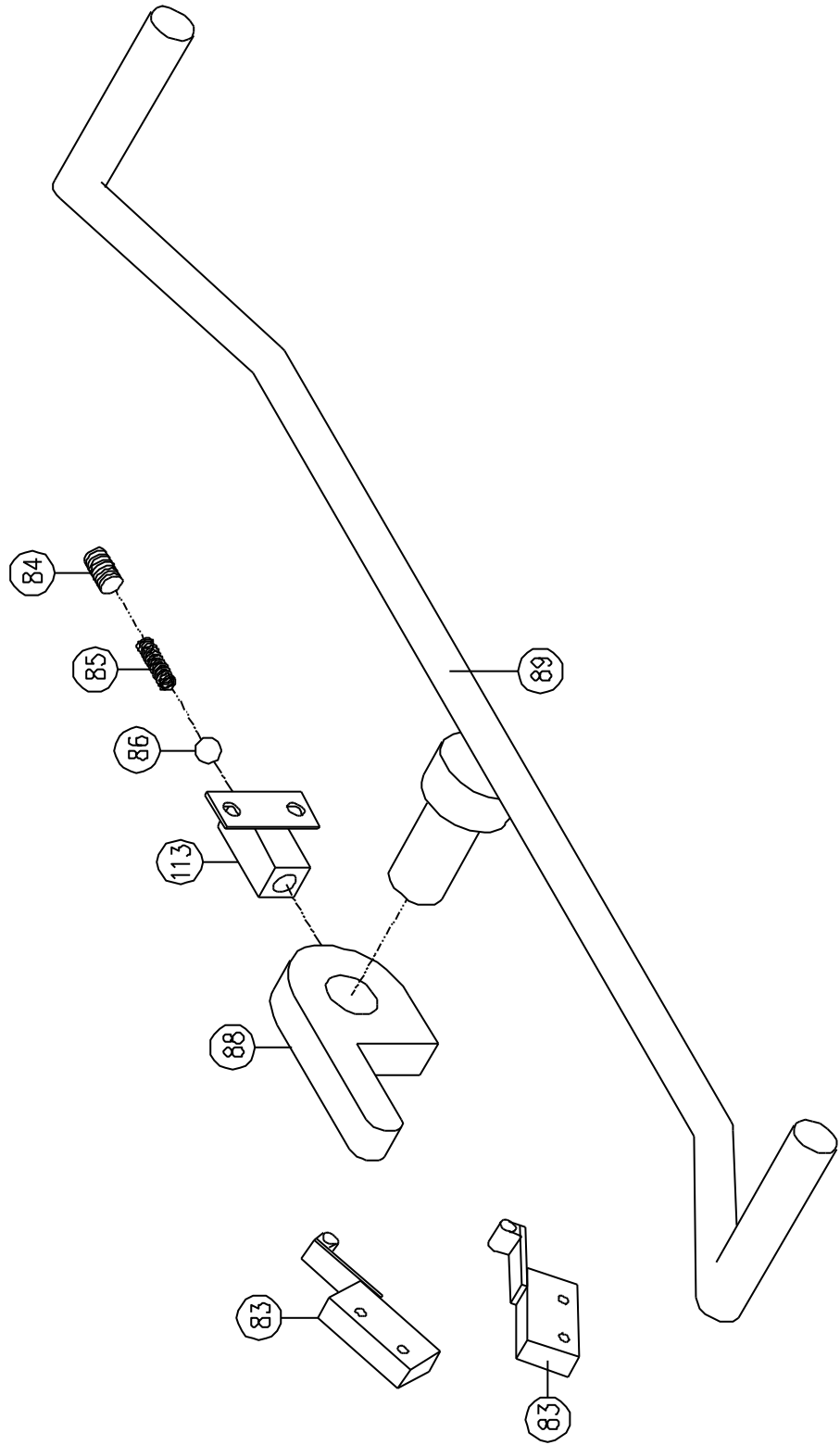
BENCH TYPE



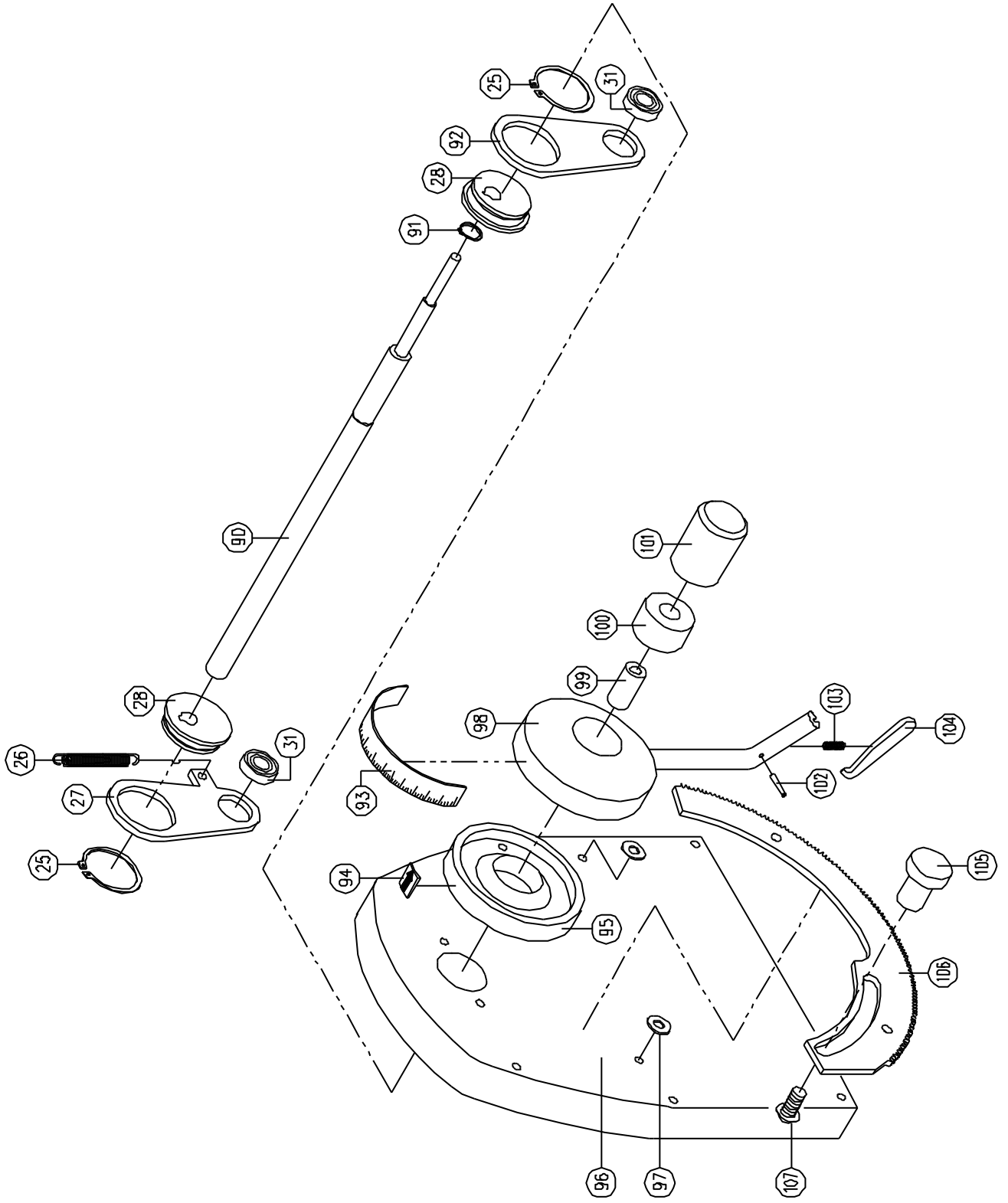
BENCH TYPE



BENCH TYPE

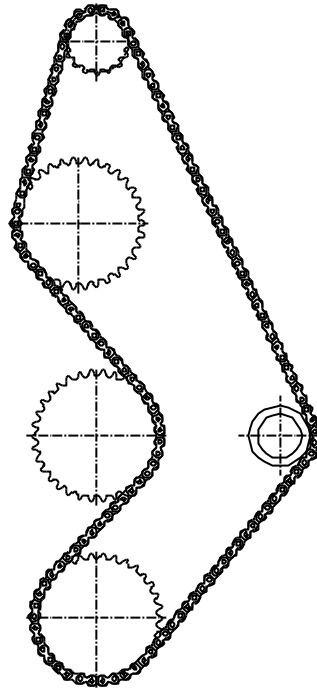


BENCH TYPE



6-2.CHAIN ALLOCATION PLAN
BENCH TYPE

Rear chain allocation plan



Front chain allocation plan

